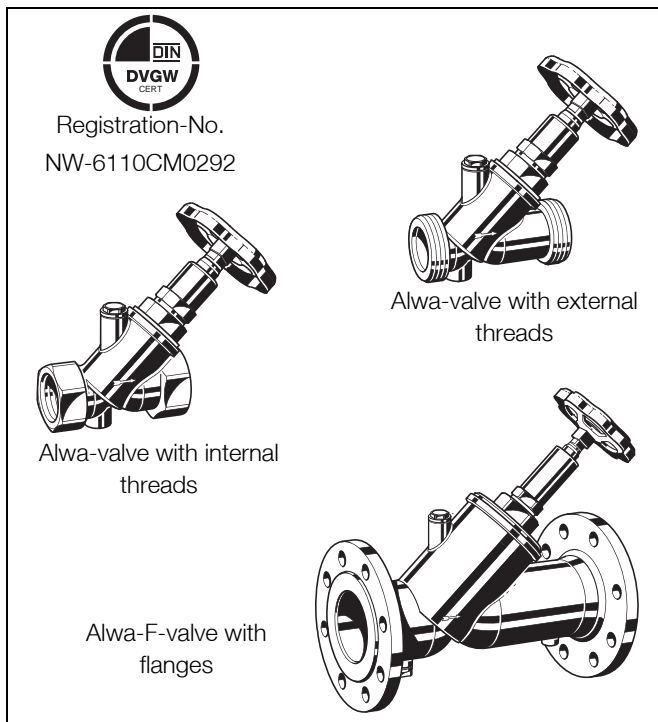


V4020

Alwa-Valve Shut-off valve

Product specification sheet



Construction

The Alwa-Valve consists of:

- Y-pattern valve housing with internal threads according to DIN 3502 or with external threads
- Valve insert
- Handwheel
- Pipe connection (accessory)
- Draining facility (optional)

Materials

- Red bronze housing
- Valve insert made of red bronze and brass
- Handwheel made of sheet steel, painted green or red (Alwa-F)
- O-rings and soft seals made of EPDM
- EPDM seat sealing
- Optional draining facility made of red bronze, brass and plastic (VA3401A).

Application

The Alwa-valve is used as shut-off valve in potable water installations. The downstream installation is isolated by shutting off the valve with the handwheel.

The valve insert is available as spare part and fits into all valve housings with dimensions according to DVGW.

Alwa-valves are available with various pipe connections. Alwa-K valves are equipped with larger external threads specially suitable for pipe connections of various plastic pipes.

Valves with draining facility allow draining of the system over the valve.

Alwa-valves are DVGW-certified under registration-no. NW-6110CM0292 and low noise according to DIN 4109.

Special Features

- All parts with contact to the flow made of corrosion-resistant red bronze
- Permanent easy operation due to isolated spindle
- Maintenance-free spindle sealing with additional back sealing
- Cavity-free valve insert
- EPDM seat sealing with test cock
- Valve housing PN16
- Draining facility (accessoires)
- Various pipe connections available

Technical Data

Medium	Water
Operating temperature	max. 130°C (266°F)
Operating pressure	max. 16 bar (232 p.s.i.)
k_{VS} -value	see 'Dimensions' on page 2 and 3

Dimensions

All dimensions in mm unless stated otherwise.

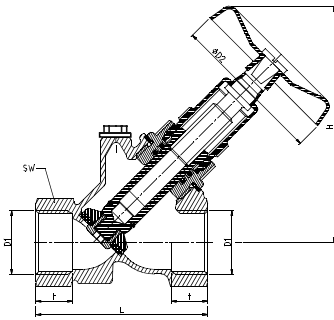


Fig. 1 Alwa-Valve with internal threads

DN	kvs	D1	D2	H	L	SW	t
15	6.3	R 1/2"	50	95	65	27	15.0
20	14.4	R 3/4"	50	105	75	32	16.3
25	23.0	R 1"	80	125	90	41	19.1
32	43.4	R 1 1/4"	80	145	110	50	21.4
40	54.4	R 1 1/2"	80	160	120	55	21.4
50	81.0	R 2"	80	185	150	70	25.7

Table 1 Alwa-Valve with internal threads

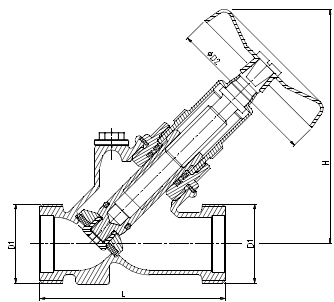


Fig. 2 Alwa-Valve with external threads

DN	kvs	D1	D2	H	L
15	6.3	G 3/4"	50	95	70
20	13.4	G 1"	50	105	81
25	21.6	G 1 1/4"	80	125	98
32	37.0	G 1 1/2"	80	145	117
40	51.6	G 1 3/4"	80	160	130
50	81.0	G 2 3/8"	80	185	152
65	132	G 3"	120	230	205
80	193	G 3 1/2"	120	255	234

Table 2 Alwa-Valve with external threads

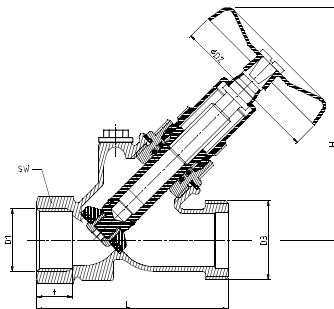


Fig. 3 Alwa-Valve with internal thread on inlet and external thread on outlet

DN	kvs	D1	D2	D3	H	L	SW
15	6.3	R 1/2"	50	G 3/4"	95	71.5	27
20	14.4	R 3/4"	50	G 1"	105	84.5	32
25	23.0	R 1"	80	G 1 1/4"	125	102	41
32	40.0	R 1 1/4"	80	G 1 1/2"	145	122	50
40	51.9	R 1 1/2"	80	G 1 3/4"	160	134	55
50	85.4	R 2"	80	G 2 3/8"	185	160	70

Table 3 Alwa-Valve with internal thread on inlet and external thread on outlet

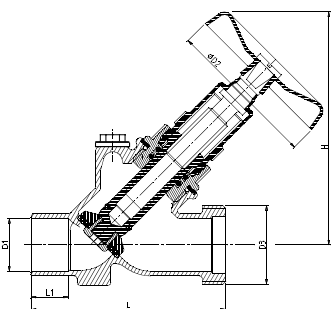


Fig. 4 Alwa-Valve with soldering connection on inlet and soldering connection set on outlet

DN	kvs	D1	D2	D3	H	L
15	6.3	15	50	G 3/4"	95	70
20	13.4	22	50	G 1"	105	89
25	21.6	28	80	G 1 1/4"	125	104
32	37.0	35	80	G 1 1/2"	145	128
40	51.6	42	80	G 1 3/4"	160	142
50	81.0	54	80	G 2 3/8"	185	169

Table 4 Alwa-Valve with soldering connection on inlet and soldering connection set on outlet

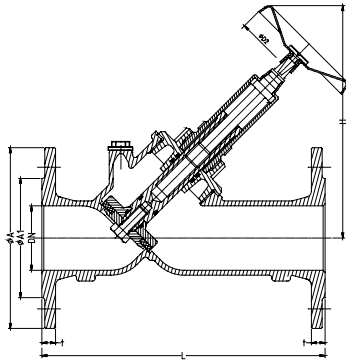


Fig. 5 Alwa-F with flanges

DN	kvs	L	t	A	A1	H	D2
15	6.3	130	10	95	45	95	50
20	14.4	150	11	105	58	105	50
25	23.0	160	11	115	68	125	80
32	40.0	180	12	140	78	145	80
40	51.5	200	12	150	88	160	80
50	85.4	230	14	165	102	185	80
65	132.0	290	14	185	122	240	120
80	193.0	310	15	200	138	265	120
100	251.0	350	18	220	158	410	140
125	320.0	400	26	250	188	415	225
150	460.0	480	26	285	212	505	250

Table 5 Alwa-F with flanges

Order information

Table 6 Ordering information and OS-Nos. (OS = Ordering System)

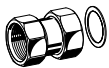
Ordering text	Inlet connection type	Outlet connection type	Art.-Nr.	DN	15	20	25	32	40	50	65	80	100	125	150
				mm	15	22	28	35	42	54	64	76	--	--	--
				R	1/2"	3/4"	1"	1 1/4"	1 1/2"	2"	2 1/2"	3"	4"	4 1/2"	5"
Alwa-Valve															
- closed valve body	Internal thread	Internal thread	V4000YY..		020	025	032								
- with blind plug	Internal thread	Internal thread	V4020YY..	015	020	025	032	040	050						
- with blind plug	External thread	External thread	V4020XX..	015	020	025	032	040	050	065	080				
- with blind plug	Internal thread	External thread	V4020YX..	015	020	025	032	040	050						
Alwa-F valve															
- closed valve body	Flanges	Flanges	V4020FF...										100	125	150
- with blind plug	Flanges	Flanges	V4020FF...	015	020	025	032	040	050	065	080				

Accessories**Connections for external threads****Union nut, sealing and red bronze soldering tailpiece**

DN 15, for 15 mm pipe-Ø	VA7400A015
DN 15, for 18 mm pipe-Ø	VA7400A016
DN 20, for 22 mm pipe-Ø	VA7400A020
DN 25, for 28 mm pipe-Ø	VA7400A025
DN 32, for 35 mm pipe-Ø	VA7400A032
DN 40, for 42 mm pipe-Ø	VA7400A040
DN 50, for 54 mm pipe-Ø	VA7400A050

Union nut, sealing and externally threaded red bronze tail-piece for external threads

DN 15	VA7401A015
DN 20	VA7401A020
DN 25	VA7401A025
DN 32	VA7401A032
DN 40	VA7401A040
DN 50	VA7401A050
DN 65	VA7401A065
DN 80	VA7401A080

Union nut, sealing and internally threaded red bronze tail-piece

DN 15	VA7405A015
DN 20	VA7405A020
DN 25	VA7405A055
DN 32	VA7405A032
DN 40	VA7405A040
DN 50	VA7405A050

Mapress stainless steel crimp fitting with sealing

DN 15, for 15 mm pipe-Ø	VA7403A015
DN 15, for 18 mm pipe-Ø	VA7403A018
DN 20, for 22 mm pipe-Ø	VA7403A020
DN 25, for 28 mm pipe-Ø	VA7403A025
DN 32, for 35 mm pipe-Ø	VA7403A032
DN 40, for 42 mm pipe-Ø	VA7403A040
DN 50, for 54 mm pipe-Ø	VA7403A050
DN 65, for 64 mm pipe-Ø	VA7403A065
DN 65, for 76 mm pipe-Ø	VA7403A076
DN 80, for 89 mm pipe-Ø	VA7403A080

Sanpress red bronze crimp fitting with sealing

DN15, for 15 mm pipe-Ø	VA7404A015
DN15, for 18 mm pipe-Ø	VA7404A018
DN20, for 22 mm pipe-Ø	VA7404A020
DN25, for 28 mm pipe-Ø	VA7404A025
DN32, for 35 mm pipe-Ø	VA7404A032
DN40, for 42 mm pipe-Ø	VA7404A040
DN50, for 54 mm pipe-Ø	VA7404A050

Brass hose connection for draining valves (no Fig.)

for DN15	VA7406A015
for DN20	VA7406A020

Draining valve

for DN15 to DN25	VA3401A008
for DN32 to DN80	VA3401A010

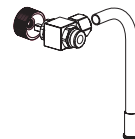
Blanking plugs (no Fig.)

for DN15 to DN80	VS3401A008
------------------	------------

Insulation shells

for valves DN15	VA2510C015
for valves DN20	VA2510C020
for valves DN25	VA2510C025
for valves DN32	VA2510C032
for valves DN40	VA2510C040
for valves DN50	VA2510C050

For product information see product data sheet 'VA2510C Insulation Shells'.

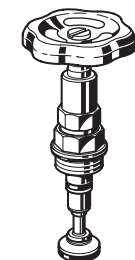
Alwa-Sampling valve

Sampling valve with connection V4250A008H size G1/4 for building valves up to DN 25

Sampling valve with connection V4250A010H size G3/8 for building valves from DN 32 to DN 80

Spare parts**Handwheel, green**

for DN 15 to DN 20	VS2400A050
for DN 25 to DN 50	VS2400A080
for DN 65 to DN 80	VS2400A120

Valve insert for all valve housing according to DVGW

for valve housings DN 15	VS1400A015
for valve housings DN 20	VS1400A020
for valve housings DN 25	VS1400A025
for valve housings DN 32	VS1400A032
for valve housings DN 40	VS1400A040
for valve housings DN 50	VS1400A050
for valve housings DN 65	VS1400A065
for valve housings DN 80	VS1400A080

Automation and Control Solutions

Honeywell GmbH
 Hardhofweg
 74821 MOSBACH
 GERMANY
 Phone: (49) 6261 810
 Fax: (49) 6261 81309
<http://ecc.emea.honeywell.com>

Manufactured for and on behalf of the
 Environmental and Combustion Controls Division
 of Honeywell Technologies Sàrl, Z.A. La Pièce 16,
 1180 Rolle, Switzerland by its Authorised Representative Honeywell GmbH

EN0H-1809GE25 R0213
 Subject to change without notice
 © 2013 Honeywell GmbH

Honeywell