



S, Y and W Plan Applications

2x T6R or T6RWP Smart thermostat

1x R6 2-channel Receiver box



T6R



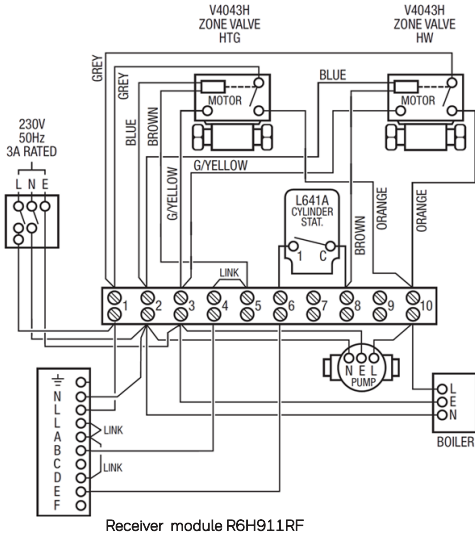
T6RWP

R6H

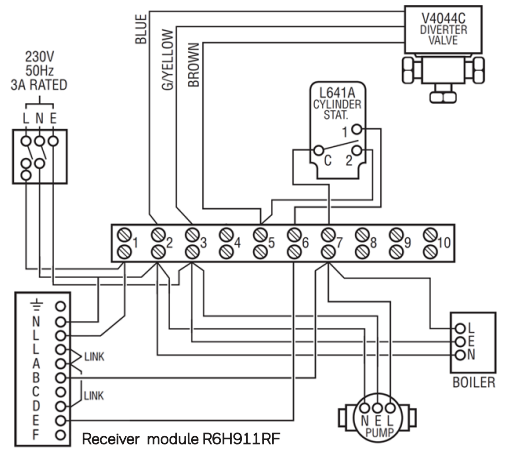


ADDITIONAL WIRING INSTRUCTIONS

S Plan application



W Plan application



Y Plan application

