



2 ZONE APPLICATION

2x T6R or T6RWP Smart thermostat

1x R6 2-channel Receiver box



T6R



T6RWP

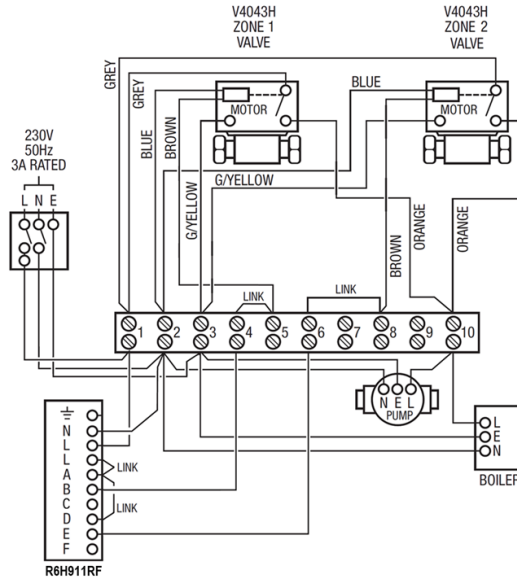
R6H



ADDITIONAL WIRING INSTRUCTIONS

2 zone valves (230V) and basic 230V on/off boiler

Zone valve end switches used for controlling boiler (demand)



2 zone valves (230V) and OpenTherm® boiler

Demand of zones used for controlling (modulating) OpenTherm® boiler

