

Honeywell | Lyric T6R-HW Smart Thermostat



EN Install Guide

Compatible with Sundial Y- and S-plan stored hot water systems with zone valves. Also compatible with 24-230V on/off appliances such as gas boilers, combi-boilers and heat pump.

Manufactured for and on behalf of the Environmental and Energy Solutions Division of Honeywell Technologies Sàrl, ACS-ECC EMEA, Z.A. La Pièce 16, 1180 Rolle, Switzerland by its Authorised Representative Honeywell Inc.



Need help? For assistance please visit: getconnected.honeywell.com

Honeywell Control Systems Ltd.,
Skimped Hill Lane,
Bracknell,
Berkshire,
RG12 1EB

Approvals

Conforms to protection requirements of the following directives: **EMC: 2014/30/EU**, **LVD: 2014/35/EU** and **RED: 2014/53/EU**. Hereby, Honeywell, declares that this thermostat is in compliance with the essential requirements and other relevant provisions of Directive 2014/53/EU. The full text of the EU Declaration of Conformity is available at the following Internet address: <http://hwll.co/DoC>



RF (868MHz): Receiver Category 2, Max RF Power 25mW, 868-868.6MHz (868.3MHz)
Wi-Fi (2.4GHz): Max Power 100mW, 2.4-2.458Ghz
ErP: Class VI (+4%), (EU) 811/2013

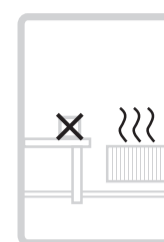
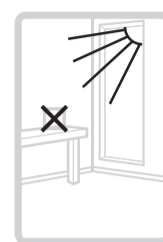
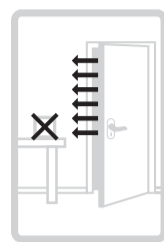


Must be installed by a competent person!
Read these instructions carefully. Failure to follow these instructions can damage the product or cause a hazardous condition.

1 Turn OFF the power and remove the old thermostat

To ensure your safety, **always make sure mains power is switched OFF** before accessing wiring.

In case of removing the old thermostat be aware that the **existing wiring will no longer be used**.



The T6R-HW thermostat should not be placed near draughts, in direct sunlight or near heat sources.



WEEE Directive 2012/19/EC Waste Electrical and Electronic Equipment directive

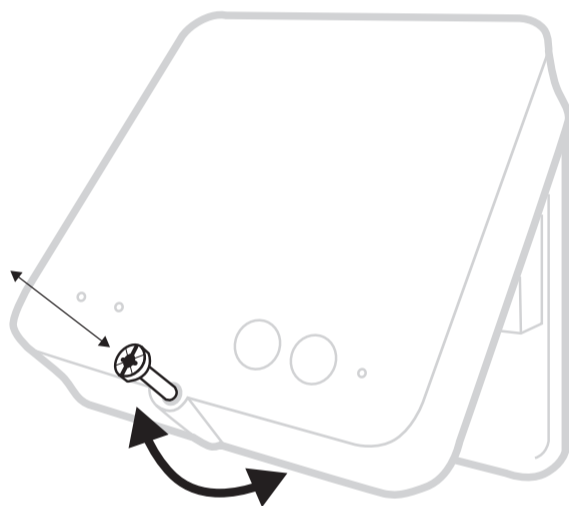
At the end of the product life dispose of the packaging and product in a corresponding recycling centre. Do not dispose of the unit with the usual domestic refuse. Do not burn the product.

2 Prepare Receiver Box for installation

Before installation of the Receiver Box

Find a suitable location near to the boiler. Leave at least 30cm distance from any metal objects including wallboxes and boiler housing.

Loosen the front screw to remove cover or tighten it when the cover is back in place.



Needed during installation:

- Cable with 2 wires from the boiler to Receiver Box.
- The Receiver Box requires 230V power

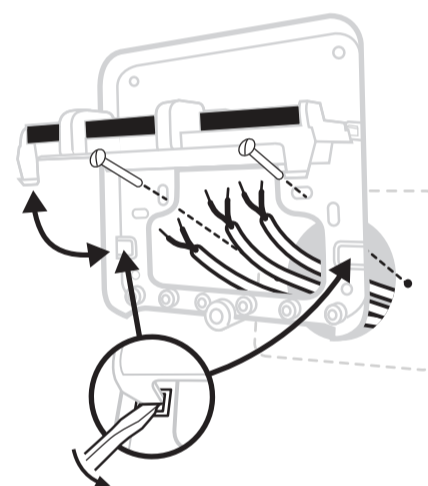
3 Install the Receiver Box



Please refer to the wiring diagrams over the page

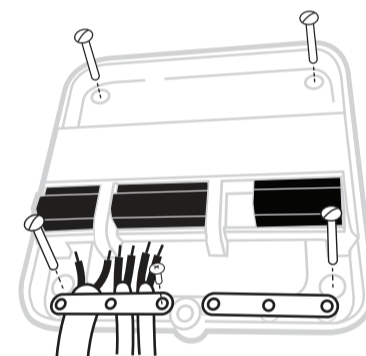
A) Wall box or Rear Wiring

Hinge open the terminal block flap to access the cables and wall box screw holes.



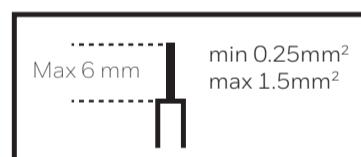
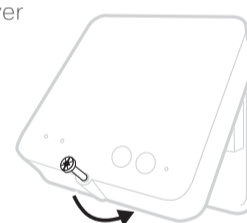
B) Surface wiring

Use the cable clamps to secure the surface wiring.

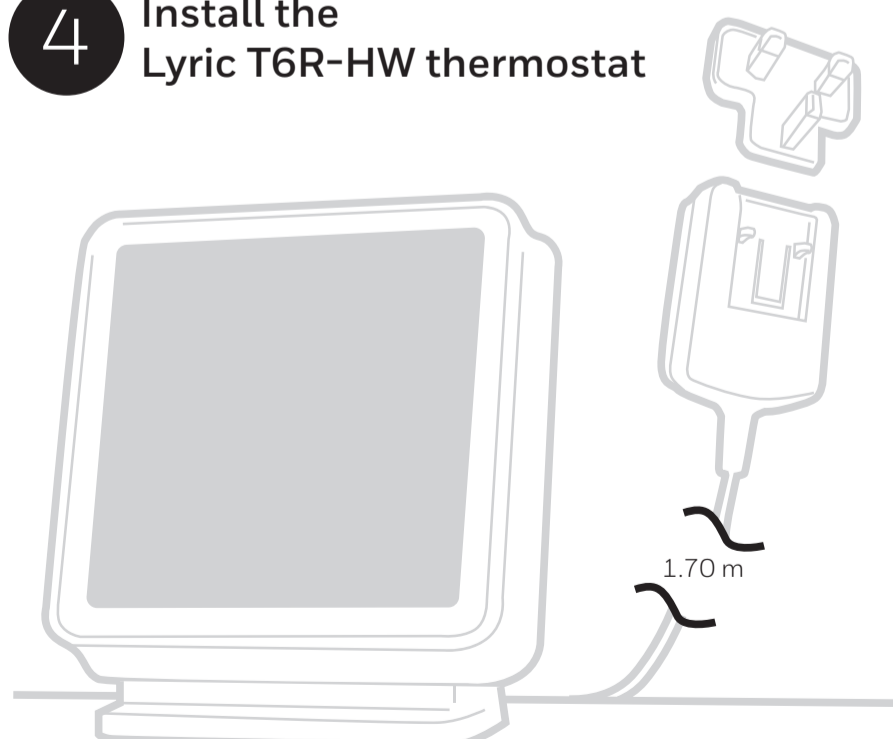


C) Replace the cover

Locate the hinges at the top of the cover and wall plate, close the cover and secure with the screw.



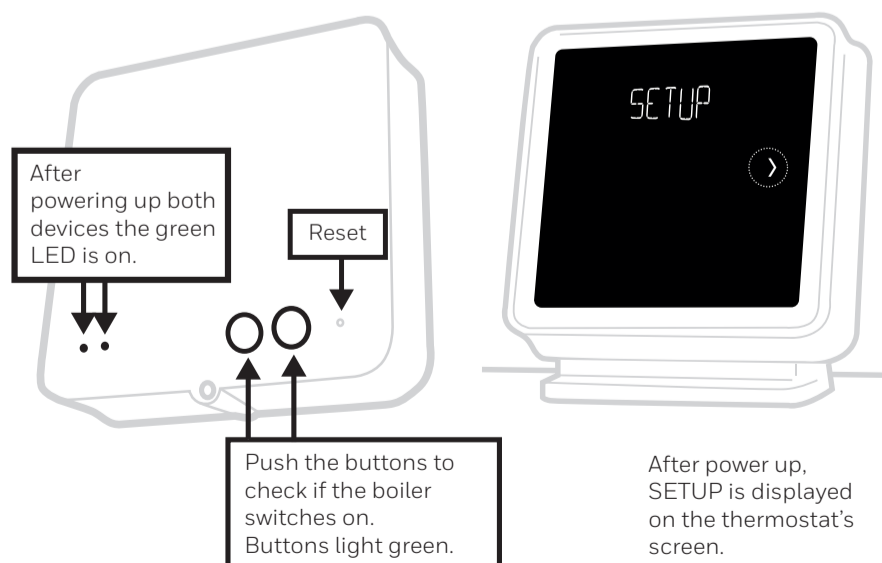
4 Install the Lyric T6R-HW thermostat



Choose the appropriate plug.
Place the thermostat on an even, horizontal surface and plug it in.

5 Complete installation

Turn ON mains power to the Heating Appliance and Receiver Box.



After powering up both devices the green LED is on.

Reset

Push the buttons to check if the boiler switches on. Buttons light green.

After power up, SETUP is displayed on the thermostat's screen.



To rebind the units, reset the Receiver box, then press the button for 3 seconds. The LED on the receiver box will blink yellow to indicate the box is in binding mode. On the thermostat press for 5 seconds to enter the advanced menu. Navigate to Binding, clear the current binding then bind the device again.

6 Set Up and configuration



1) Touch (→) to begin setting up the thermostat.



2) Select your language.



3) Set the clock format, time and date.



4) Touch (X) to finalise setup. (✓) to setup using the App is currently unsupported)

Once setup is completed, if you need to change more settings go to the advanced menu. To access the advanced menu press (≡) for 5 seconds.

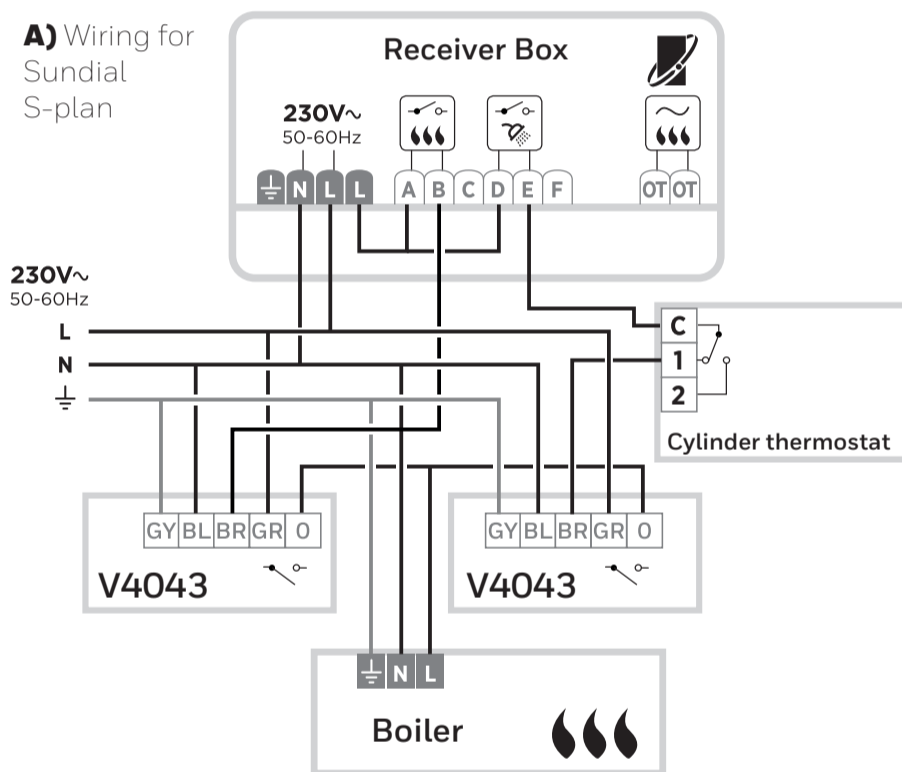


In the advanced menu the following settings can be adjusted:

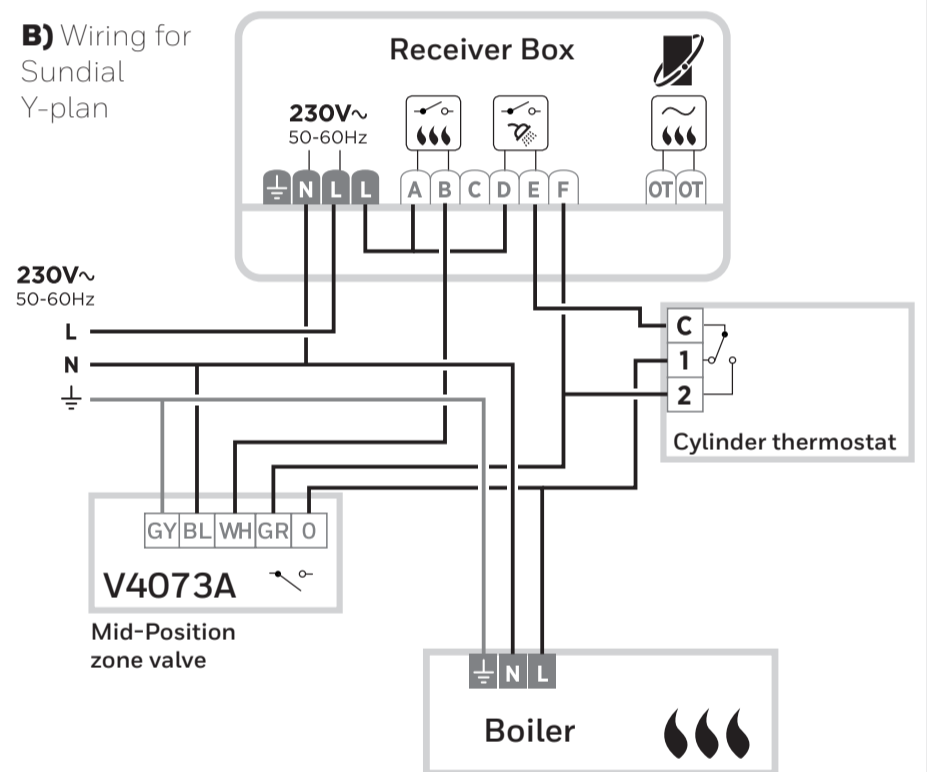
Menu Item	Default	Options
LANGUAGE	English	0 = English, 1 = Français, 2 = Español, 3 = Deutsch, 4 = Nederlands, 5 = Italiano
SYSTEM TYPE	Heat+HW	Heating only, Heating + Hot Water, Heating + Cooling
OPENTHERM	-	OpenTherm boiler data when available
CYCLE RATE	6	3, 6, 9 or 12
MINIMUM ON TIME	1 minute	1, 2, 3, 4 or 5 minutes
HEAT RANGE	Min = 5.0°C Max = 35.0°C	Min: 5°C to 21°C, Max: 21°C to 35°C
SCHEDULE OPTIONS	Daily	1 = Daily schedule, 2 = 5+2 days schedule
OPTIMISE	Opt. start OFF Opt. stop OFF	Opt. start: 0 = off, 1 = on, 2 = Delayed start Opt. stop: 0 = off, 1 = on
CLOCK	Format: 24h Time: --:-- Date: 01/09/16	Clock format: 1 = 12h, 2 = 24h Setup time and date
LOW LOAD CONTROL	ON	0 = off, 1 = on
TEMPERATURE OFFSET	0.0°C	-1.5 °C to 1.5°C
BINDING	-	Bind, check RF and clear bind.
RESET	-	Factory, schedule, WiFi and HomeKit reset
FAILSAFE	OFF	0 = off, 1 = on

Wiring Diagrams

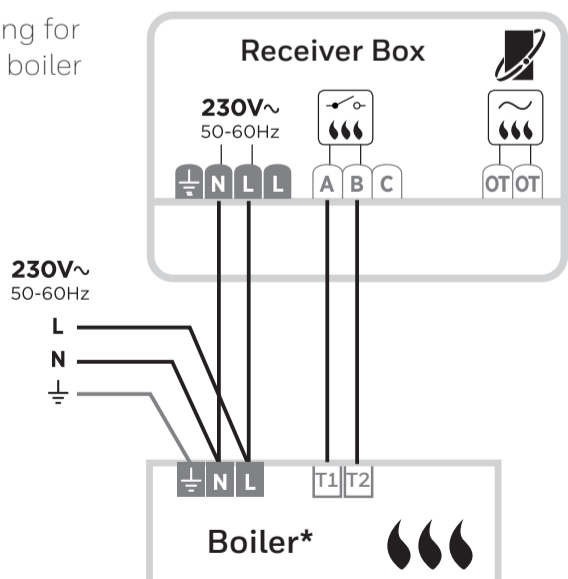
A) Wiring for Sundial S-plan



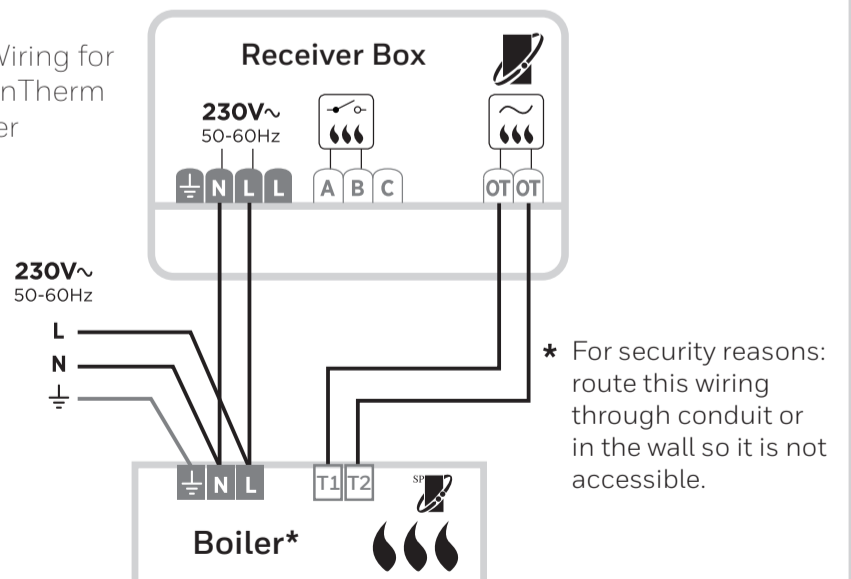
B) Wiring for Sundial Y-plan



C) Wiring for Combi boiler



D) Wiring for OpenTherm boiler



* See boiler specifications for correct terminals