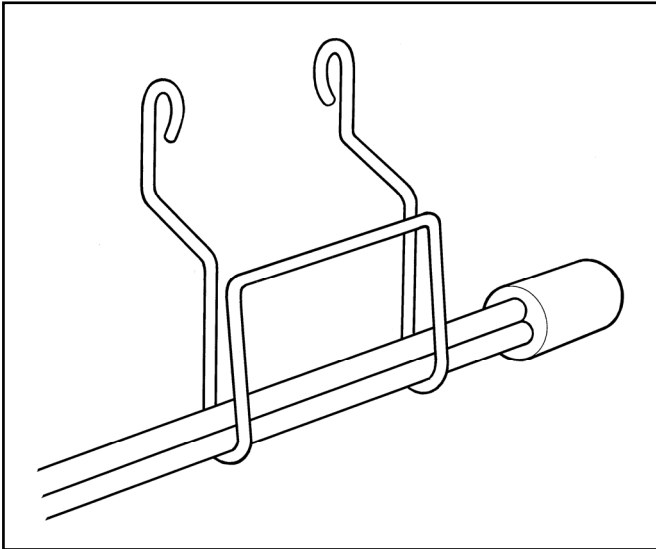


## F42010971 001 OUTSIDE TEMPERATURE SENSOR FOR USE WITH CM900 CHRONOTHERM

### PRODUCT SPECIFICATION SHEET



### APPLICATION

The F42010971 001 Outside Temperature Sensor (OTS) is designed to provide the **CM900** Chronotherm with the capability of detecting and displaying the outside temperature.

The Sensor is sealed to protect against water and contaminants and comes complete with an easy-mount clip and 2m of cable which fits into the **CM900** terminal blocks.

The Outside Temperature Sensor is ideal for consumers who wish to gauge the weather conditions and

### FEATURES AND BENEFITS

#### Consumer

- **The OTS** makes the temperature outside available at the touch of a button
- **Avoid false forecast** of weather conditions on a cold but sunny day

#### Installer

- **Easy mount clip** ensures minimum fuss when installing
- **Simple connection** to terminal blocks in **CM900**
- **Quick set-up** through installer mode
- **Can be used** with up to 50m of cable to allow optimum positioning of sensor

### SPECIFICATIONS

**Operating Ambient Temperature Range** : -25°C to 45°C  
(-13°F to 113°F)

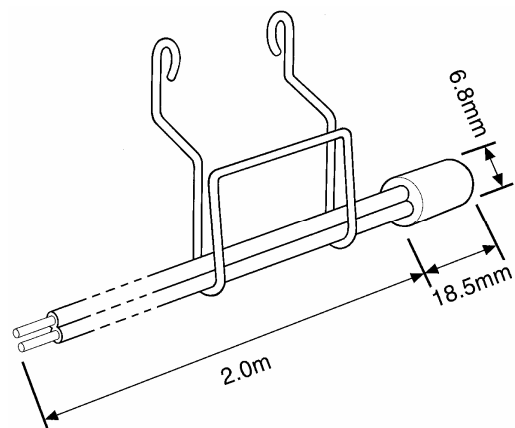
**Operating Relative Humidity** : 0% to 95% RH

#### Accuracy

*Standard 2m of Cable*  
-25°C to 45°C : +/- 1°C

*50m of Cable*  
-25°C to 0°C : +/- 1.4°C  
0°C to 45°C : +/- 1.2°C

### DIMENSIONS



## LOCATION AND MOUNTING

For optimum performance mount the sensor where

- There is good air circulation
- Wire distance sensor and **CM900** is less than 50m
- 2/3 of the way up outside wall

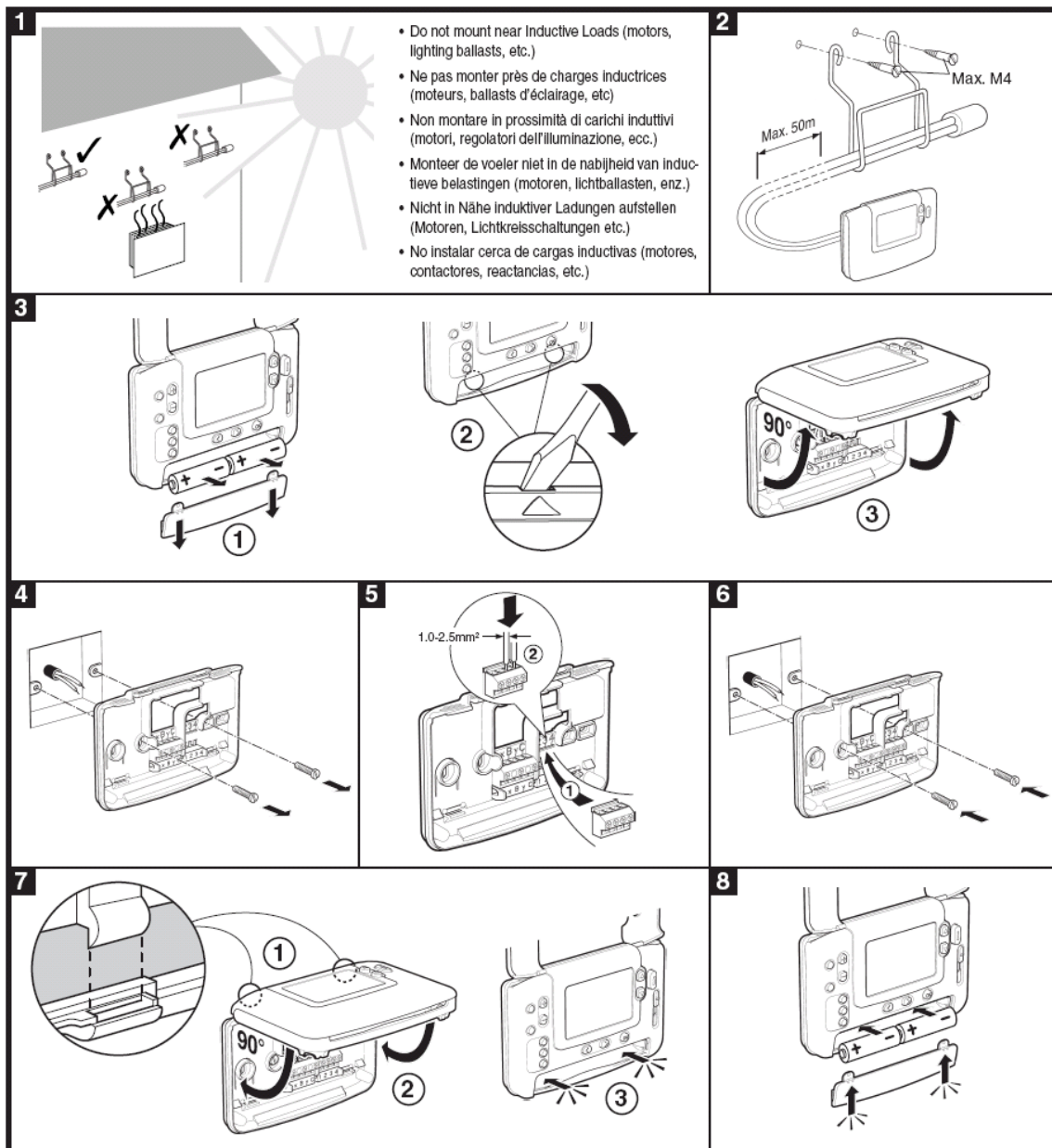
Do not mount the sensor

- In direct sunlight
- Near discharge vents or fans
- Near motors, lines starters, lighting ballasts or any other inductive load

## CHARACTERISTICS (NTC)

T (°C)	R (kΩ) +/- 1%
0	27.21
10	17.92
20	12.08
25	10.00
30	8.31
40	5.83
50	4.16

## INSTALLATION



The installation instructions, supplied with the unit, can now be followed to complete the installation process.

**Honeywell**