



V4043H Motorised Zone Valve

INSTALLATION INSTRUCTIONS

APPLICATION

The V4043H valve has been designed to control the flow of water in iron and copper pipe systems. Although specifically designed for small bore domestic central heating systems, the valve can be used in commercial and industrial applications.

SPECIFICATIONS

Voltage: 230-240V ~ 50 Hz

Power Consumption: 6W

Lead Supplied: 1 meter, 5 core

Operating Temperature Range: +5 to +88° C

Maximum Ambient Temperature: +52° C

Pipe Fitting Sizes: 22 mm & 28 mm compression fitting, 3/4" & 1" BSP

Dimensions and KV values: See diagrams



SPARES AVAILABLE

- Powerhead Part No. 40003916-001
- Motor Part No. 40002737-003
- Ball & O-Ring Kit Part No. 272742A CARD

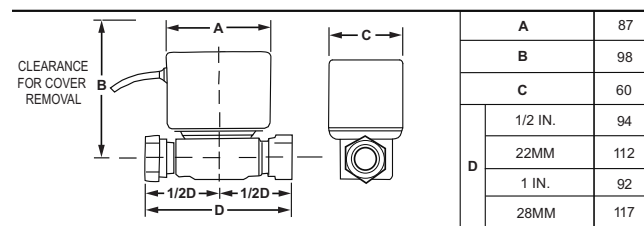


Fig. 1. Dimensions

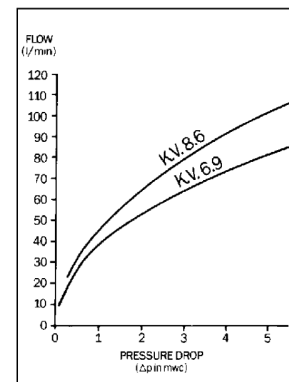
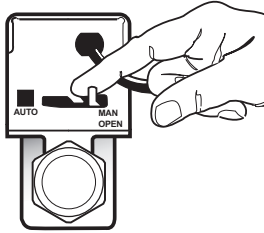


Fig. 2. Flow Characteristics



INSTALLATION

V4043H incorporates a manual lever, the lever should normally be in 'AUTO' position, but can be moved to 'MAN. OPEN' position for system draindown and filling purposes only.



Before fitting the valve, read through the plumbing and wiring instructions.

This product **MUST** be installed by a competent person. The installation **MUST** conform to I.E.E. Regulations and with The Electricity at Work Regulations.

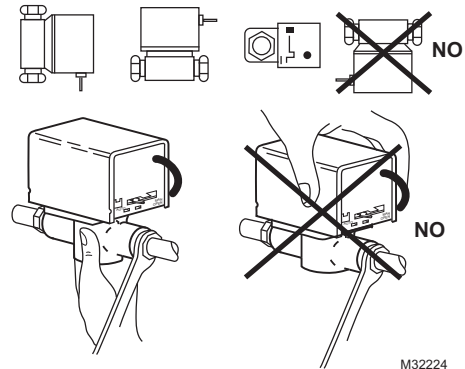
A Class 'A' switch (having contact separation of at least 3 mm in all poles) must be incorporated in the fixed wiring as a means of disconnecting the supply. The system must be appropriately fused.

PLUMBING

The valve may be plumbed in at any angle, but must not be mounted so that the valve head is below the horizontal level of the pipework. In the unlikely event of a leak, a safety hazard could result.

Do not grip the valve head while making and tightening up plumbing connections. Attach a spanner (32 mm or 1 1/4" AF) onto the valve body at each port, whilst tightening up the nuts. Tighten compression nuts enough to make a watertight seal.

TAKE CARE NOT TO OVERTIGHTEN.

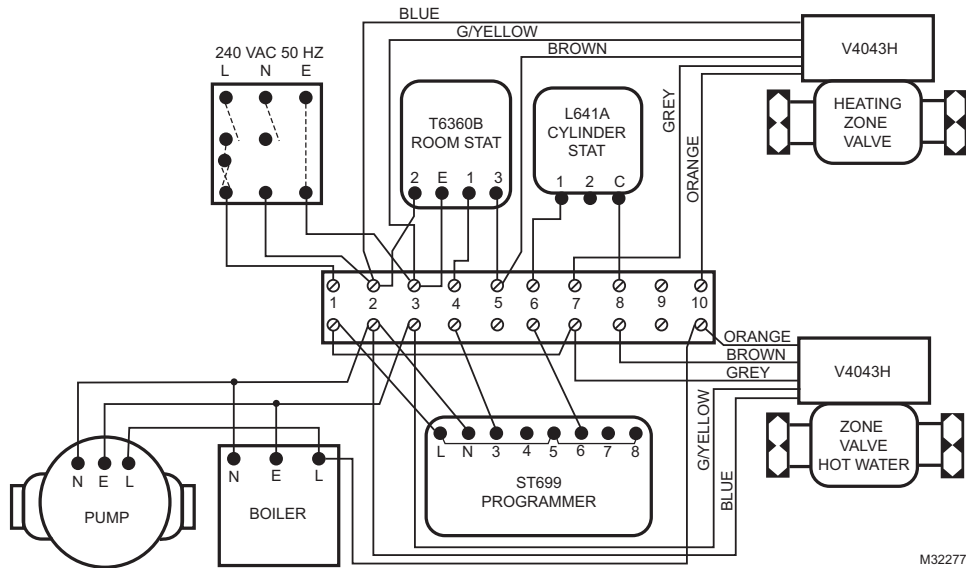


WIRING

The wiring diagram below shows relevant connections to a junction box (Part No. 42002116-001). Ensure that each numbered, lettered or coloured wire is connected to the correct terminal in the junction box. Make sure all connections are good and all terminal screws are firmly tightened.

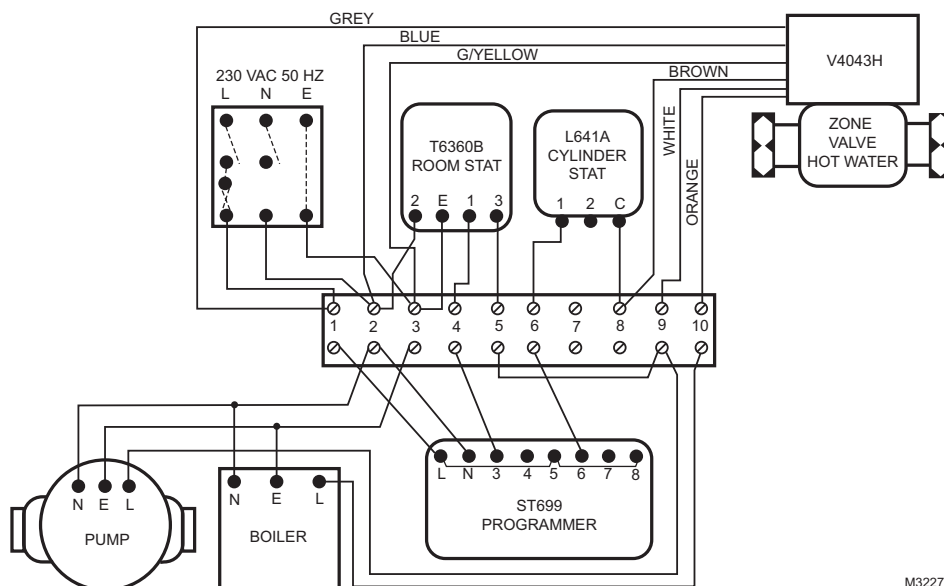
NOTES:

- Wiring diagram shows connections to a programmer with separate control of heating and hot water.
- If single channel time clock is used, connect switched live from time clock to terminal 4 or 6 at junction box, then link terminal 4 to terminal 6 with a link wire.



M32277

"S" Plan



M32278

"C" Plan

Fig. 3. Wiring Diagram

Note: If using the V4043H1080 (1" BSP) or V4043H1106 (28mm), the white wire must be electrically isolated. ('S' Plan only).

CHECKOUT PROCEDURE

To ensure the valve is plumbed and wired correctly, carry out the following checks after filling the system and switching on the power:

1.
 - a. Check the manual lever is in 'AUTO' position.
 - b. Check programmer has power.
 - c. Check boiler is switched on and its thermostat set to maximum.
2. Confirm correct hot water functions as follows:
 - a. Turn room thermostat to minimum setting or switch off at programmer.
 - b. Set cylinder thermostat to maximum and programmer to 'HOT WATER ON'.
 - c. Pump should run (S Plan ONLY) and boiler should fire (S and C Plan). Feel pipe approximately 12" from valve port B, it should get hot.
3. Confirm correct heating functions as follows:
 - a. Turn cylinder thermostat to minimum or switch off at programmer.
 - b. Set room thermostat to maximum and programmer to 'CENTRAL HEATING ON'.
 - c. Boiler should fire and pump should run. Feel pipe approximately 12" from pump (C Plan), or valve (S Plan) it should get hot.

COMPLETION

Reset both thermostats to temperature required, normally 60° C for cylinder thermostat and 20° C for room thermostat. Return programmer to 'Auto' or mode selected by householder. Full installation, wiring and operating instructions for SUNDIAL products are included in every product pack. For special wiring diagrams or applications, contact Resideo. ENSURE THAT THE VALVE HEADS HAVE FREE AIR MOVEMENT AROUND THEM.



Manufacturer for European Region:
Pittway Sarl, Z.A. La Piece 4,
1180 Rolle, Switzerland

Country of origin: Hungary
95C-10819-07 M.S. Rev. 06-20 | Printed in Hungary

Manufacturer for North and South America Region:
Resideo Technologies, Inc.
1985 Douglas Drive North, Golden Valley, MN 55422
1-800-468-1502