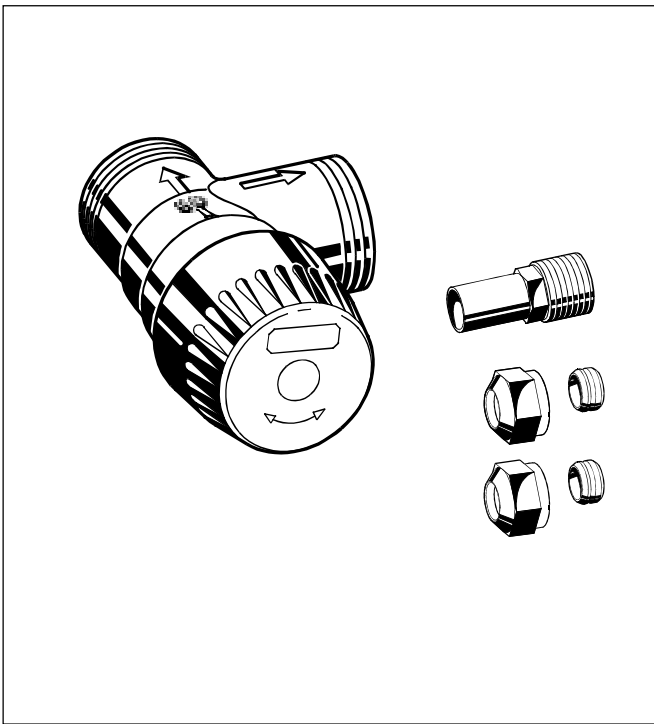


V2047 GB type TRV Body

RADIATOR VALVE WITH OPTIONAL FLOW DIRECTION

PRODUCT DATA



Design

The thermostatic radiator valve body consists of:

- Valve housing PN10, DN15 with external thread connections to DIN/ISO228
- Valve insert with UBG-R type cartridge
- Two compression fittings, also suitable for supplied extended radiator tailpiece
- Protection cap

Materials

- Valve housing made of nickel-plated red bronze
- Valve insert made of brass with EPDM O-rings and soft seals and stainless steel spindle
- Protection cap made of white plastic
- Nuts and tailpiece made of nickel-plated brass

Application

Thermostatic radiator valve bodies (TRV bodies) are fitted on the supply or return of radiators or heat exchangers. Together with a radiator thermostat, for example the Thera-3, they control the room temperature by regulating the flow of hot water into the heat exchanger. The temperature of different rooms is controlled individually and energy is saved.

GB type TRV bodies have quiet operation and are fitted to the supply or return of radiators on one-pipe or two-pipe systems with medium to high flow rates. The GB type has optional flow direction.

The valve insert can be replaced while the system is running and without draining using the service tool (see 'Accessories' on page 2).

GB type TRV bodies are suitable for all Honeywell radiator thermostats with M30 x 1,5 connection and 11,5 mm closing dimensions.

Features

- **Optional flow direction**
- **Suitable for the supply and return**
- **For heating systems with medium flow rates**
- **Dimensions according to HD1215, Part 2, Series GB**
- **Valve insert can be replaced while system is operating and without draining the system**
- **Valve opening spring is not in the water**
- **Standard M30 x 1,5 thermostat connection**

Specifications

Medium	Heating water, water quality to VDI2035
Operating temperature	max. 130°C (266°F)
Operating pressure	max. 10 bar (145 psi)
Differential pressure	max. 1 bar (14,5 psi) – max. 0,25 bar (3,6 psi) recommended for quiet operation
kvs (cv)-value	2,10 (2,46) normal flow direction 1,90 (2,22) reverse flow direction
Body to head thread	M30 x 1,5
Closing dimension	11,5 mm
Stroke	2,5 mm

Function

Thermostatic radiator valves enable individual control of room temperature and thus save energy.

The TRV body is controlled by the radiator thermostat. Air from the room passing over the sensor of the radiator thermostat causes the sensor to expand when the temperature rises. The sensor acts onto the valve spindle and this causes

the TRV body to close. When the temperature falls the sensor contracts and the spring-loaded valve spindle is opened. The TRV opens in proportion to the temperature of the sensor. Only the amount of water required to maintain the room temperature set on the radiator thermostat can flow into the radiator.

Dimensions

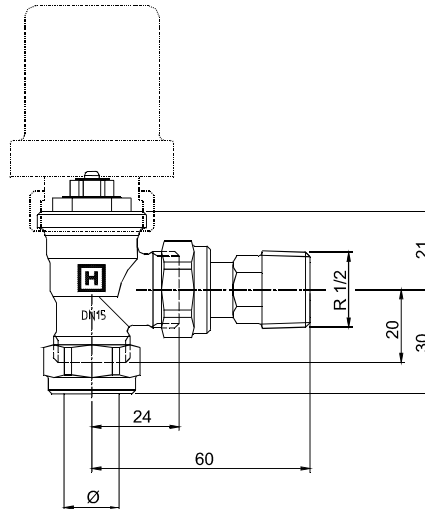


Fig. 1. Dimensions

NOTE: All dimensions in mm unless otherwise stated.

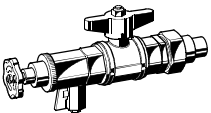
Ordering Information

Table 1. Available versions and OS-Nos. (OS=Ordering System)

Body type	DN	Pipe-Ø	kvs (cv)-values		OS-No.
			standard flow	reverse flow	
Angle reverse flow	15	8 mm	2,10 (2,46)	1,90 (2,22)	V2047EUB08
	15	10 mm	2,10 (2,46)	1,90 (2,22)	V2047EUB08
	15	15 mm	2,10 (2,46)	1,90 (2,22)	V2047EUB08

Accessories

Service tool for replacing valve insert without draining system



for all sizes

VA8200A001

Manual handwheel cap



Pre-settable, with integrated locking device

VA2200D001

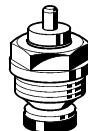
Pressure cap – for shutting off valves on radiator outlet



for valves DN15 (1/2")

VA2202A015

Replacement valve insert



UBG-R type

VS1200UB02

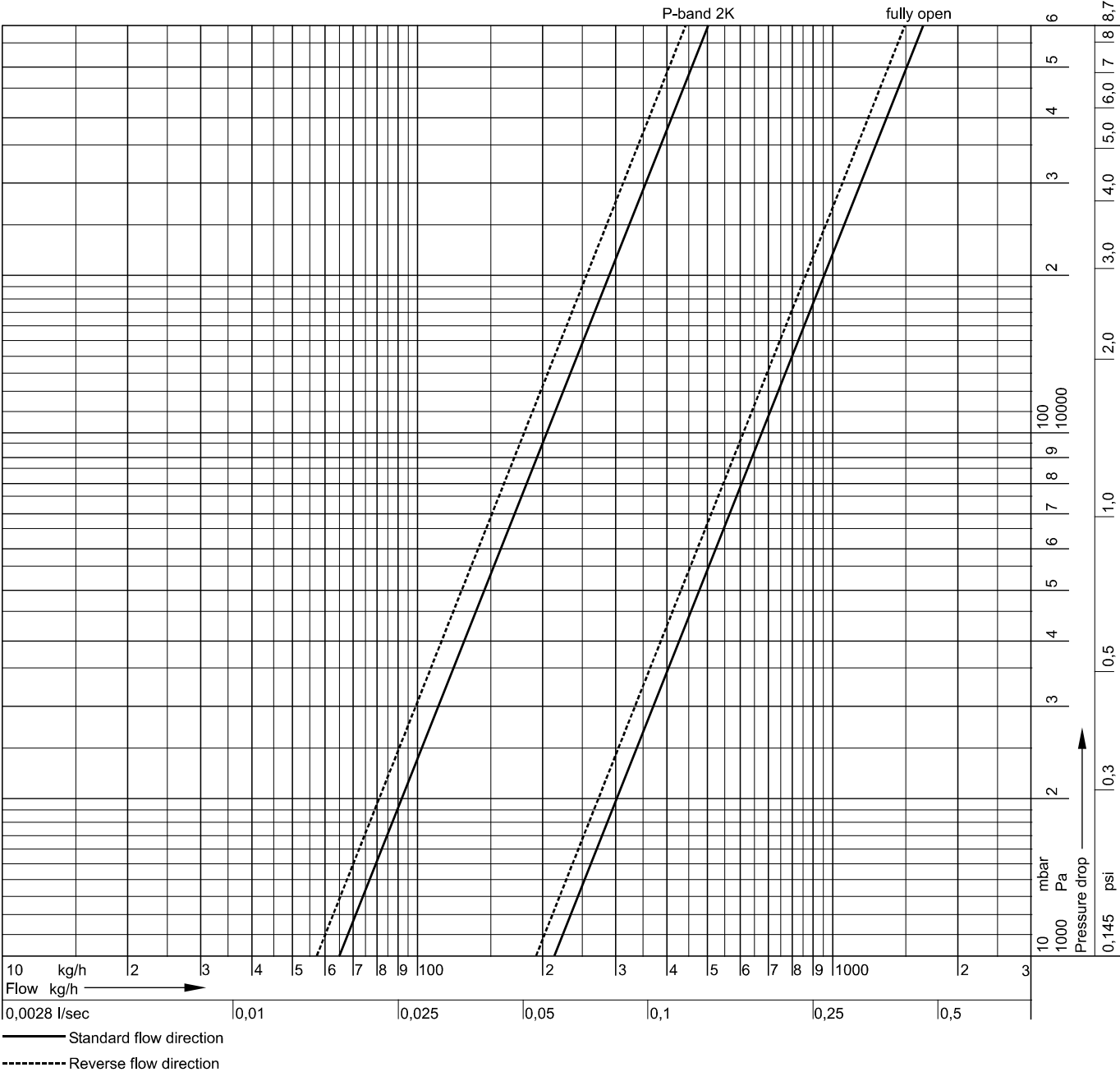
Sealing ring for pressure cap



for valves DN15 (1/2")

VA5090A015

Flow Data



Flow direction	standard	reverse
kv (cv)-value at 2K P-Band	0,65 (0,76)	0,57 (0,67)
kvs (cv)-value	2,10 (2,46)	1,90 (2,22)

Installation Examples

The thermostat can be fitted in any orientation with the flow through the body in either direction.

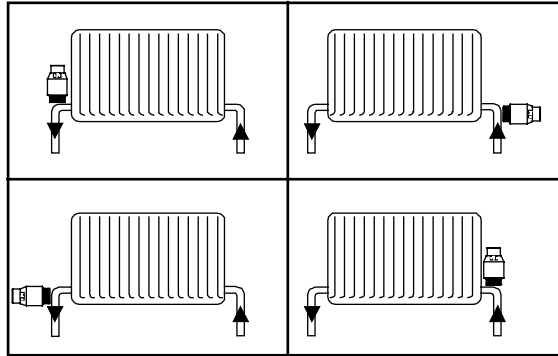


Fig. 2. Installation examples

Honeywell

Control Products

Honeywell AG
Zu den Ruhrwiesen 3
D-59755 Arnsberg-Neheim

Phone: (49) 2932 9880
Fax: (49) 2932 988239
mng@honeywell.com

<http://europe.hbc.honeywell.com>