

HMC 80/82 PRE-CONFIGURED KITS

PRODUCT DATA



FEATURES

- Direct control of mixing valve actuators for individual room temperature control
- The HM80 is communicating with the Chronotherm CM67RFMV, (CM67z) to keep the room temperature constant, time program, holiday function
- Manual or automatic control
- Reduce installation time and costs
- Pump control, after running time adjustable 0..99 min.
- External Flow Sensor connectable NTC 20K Ω , 25°C not linear (type T7414C1012)
- Maintenance run for pump and mixing valve
- Boiler feedback heat on demand with CM67RFMV, CM67z
- Heating / Cooling operation
- RF communication check

GENERAL

The wireless Universal Mixing valve Controller is used for heating/cooling zoning control. The HM80 controls the mixing valve depending on the room temperature and room setpoint by using fuzzy control logic to keep the room temperature precisely constant. It can be done with and without the flow sensor T7414C1012 (optional)

The pump can be controlled directly with the HM80 relay output 230V~.

SPECIFICATIONS

ELECTRICAL

Electrical voltage supply	: 230V ~ , 50Hz , max. 6A
Pump relay	: 3A, cos ϕ 0,7, without potential free relay contact
Mixing valve relay	: 3A, cos ϕ 0,7, without potential free relay contact

RF Communication

Frequency	: 868,3 MHz Receiver
Receiver class	: 2
RF communication range	: 30m in a residential building environment
RF communication Technology	: short, high rate transmission to minimize air time and avoid collisions

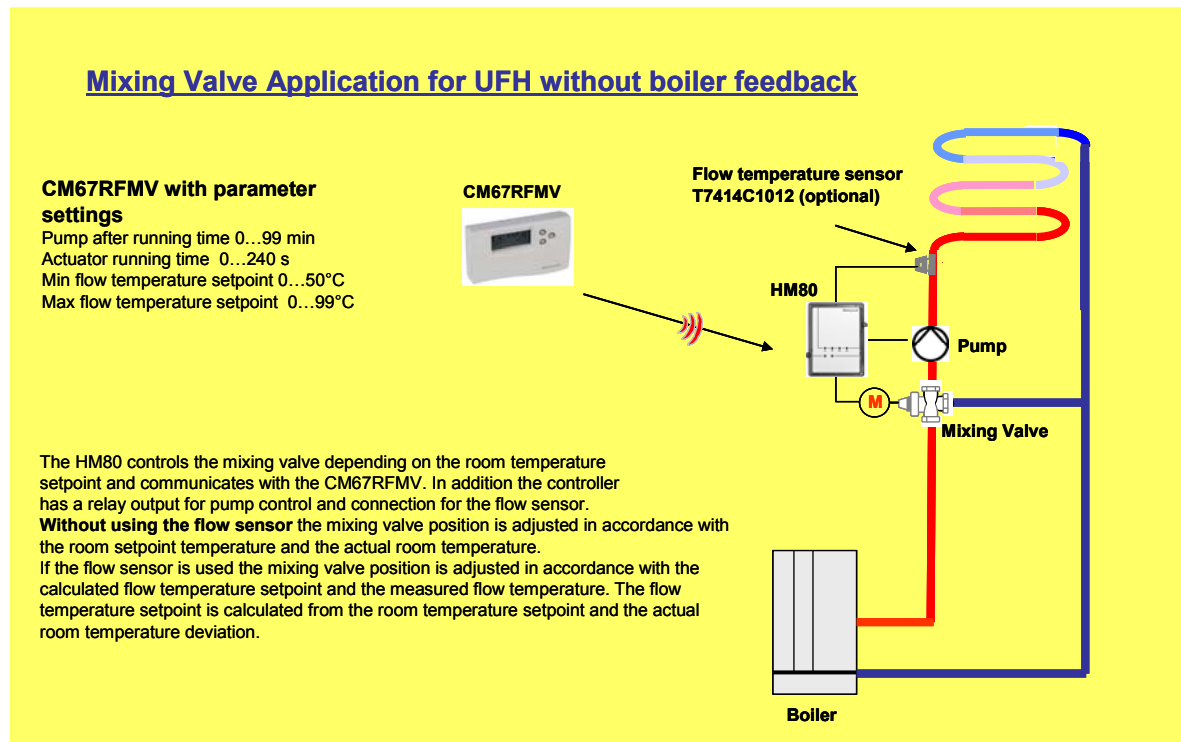
ENVIRONMENTAL and STANDARDS

Storage temperature	: -20 ... +70 °C
Operating temperature	: 0 ... +50 °C
Dimensions (HxWxD)	: 161,5 x121x 46 mm
Humidity	: max. 5 ... 90 %
Material	: Socket: PA-GF 25-FR Cover : PC-FR VO certificated
IP class	: IP54
Options	: Flow sensor NTC 20K Ω connectable
Compatible products	: CM67RFMV, CM67z
Approval	: CE

KIT CONFIGURATION

Kit	Components	Pre-Configured
HMC80	1x Universal Mixing Valve Controller HM80 1x Chronotherm CM67RFMV 4x Eurofix (strain relief)	Yes
HMC82	1x Universal Mixing Valve Controller HM80 1x Chronotherm CM67RFMV 1x Flow sensor T7414C1012 4x Eurofix (strain relief)	Yes

APPLICATION EXAMPLES



Honeywell

Automation and Control Solutions

Honeywell GmbH
Boebinger Strasse 17
D-71101 Schoenaich
Phone: (49) 7031 63701
Fax: (49) 7031 637493
<http://europe.hbc.honeywell.com>

Subject to change without notice. Printed in Germany

Manufacturing location certified to

EN0H0503GE51 R0905



DIN EN ISO
9001/14001