



Braukmann Z74A

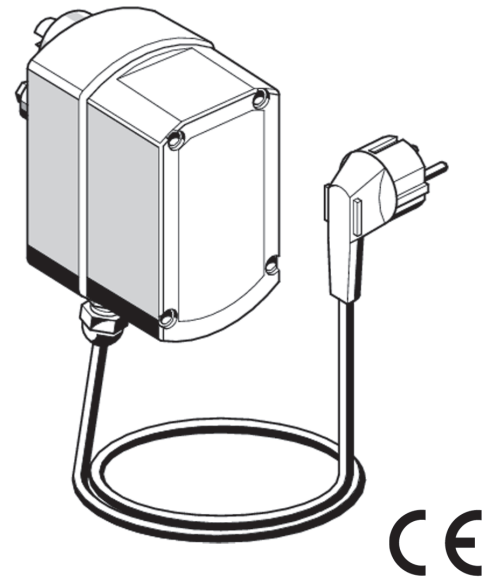
Reverse rinsing actuator
for fully automatic filter cleaning

APPLICATION

The Z74A automatic reverse rinsing actuator provides fully automatic cleaning for Resideo F74C reverse rinsing filters and FK74C filter combinations. The reverse rinsing intervals are adjustable in sixteen steps between four minutes and three months. The Z74A has an emergency running function on power failure and offers the possibility of manual operation of the reverse rinsing function (only when batteries are fitted). Connection options are available for differential pressure, remote control and remote monitoring.

SPECIAL FEATURES

- Can be set to 16 different reverse rinsing intervals
- Set during manufacture to 45 day interval
- Automatic battery ¹⁾ run-on if mains supply fails
- Bayonet connection enables fitting without tools
- Sprayed water protection to IP55
- Manufactured with integral electrical suppression
- Additional PG 9 cable entry for connection of remote operation, remote monitoring or differential pressure control



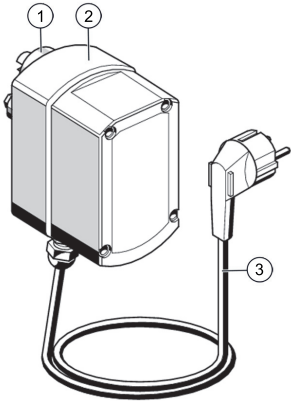
TECHNICAL DATA

For fully automatic reverse rinsing of Resideo F74C respec. FN74C filters and FK74C respec. FKN74C filter combinations.

Operating temperatures	
Max. water temperature:	70 °C
Specifications	
Mains cable:	1.5 metres
Batteries:	Four LR6-1.5 V-Mignon/AA size alkali-manganese batteries ¹⁾
Battery life:	Approximately 3 years
Time intervals:	4 minutes to 3 months
Ambient conditions:	5 - 90% relative humidity, 0 - 60 °C
Protection type:	IP55 sprayed water
Protection class:	1 DIN VDE 0700 -T1/ EN 60335-1

¹⁾ Batteries are not supplied with the appliance. Batteries are not necessary if automatic run-on in the event of power failure is not required. When batteries are fitted, the appliance should not be left unplugged for long periods.

CONSTRUCTION

Overview	Components	Materials
	1 Bayonet connection	-
	2 Housing	High-quality synthetic material
	3 Mains cable	-

REVERSE RINSING

Reverse rinsing duration when mains operated approximately 25 seconds.

Reverse rinsing quantity at 4.0 bar operating pressure with F74C, FN74C, FK74C and FKN74C.

Filter size	Drain connection	Drain pipe size	Reverse rinsing quantity (litres)
3/4", 1", 1 1/4"	DN50	DN70	approx. 25

METHOD OF OPERATION

The Z74A opens or closes the ball valve according to the set time interval. The opening of the ball valve causes a differential pressure within the filter which activates the reverse rinsing function. The actuator close the ball valve again after the end of the reverse rinsing cycle. Four batteries can provide back-up protection. The batteries close the ball valve if power fails during the reverse rinsing function, thus preventing unwanted water loss.

TRANSPORTATION AND STORAGE

Keep parts in their original packaging and unpack them shortly before use.

The following parameters apply during transportation and storage:

Parameter	Value
Environment:	clean, dry and dust free
Min. ambient temperature:	0 °C
Max. ambient temperature:	60 °C
Min. ambient relative humidity:	5 % *
Max. ambient relative humidity:	90 % *

*non condensing

INSTALLATION GUIDELINES

Setup requirements

- In case the mains supply fails during the backwash the batteries (if they are fitted) provide the energy for closing the backwash ball valve. The battery charge should be checked regularly. At the latest after two years exchange the batteries with new ones
- In order to avoid flooding, it is recommended to arrange a permanent, professionally dimensioned wastewater connection

Installation Example

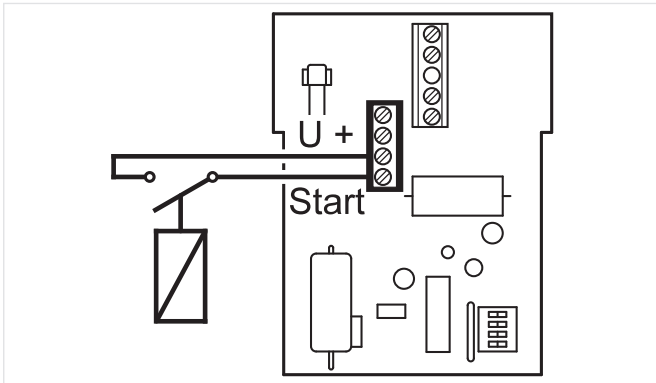


Fig. 1 Remote control

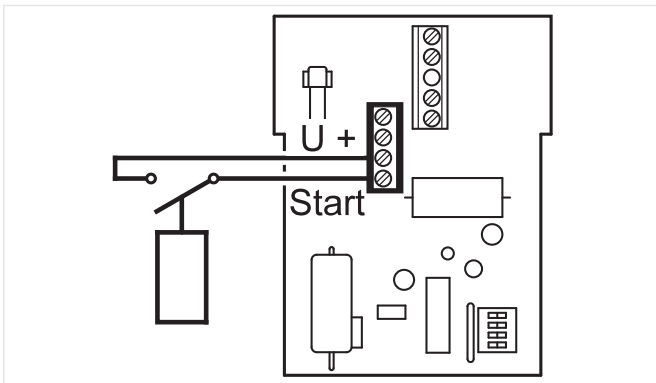


Fig. 2 Differential pressure switch

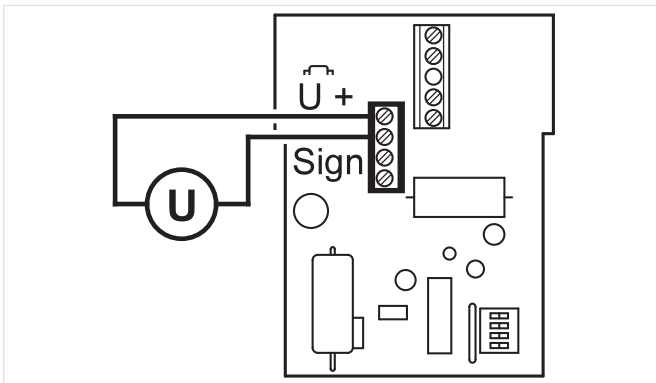


Fig. 3 Remote monitoring

Additional Connection Possibilities

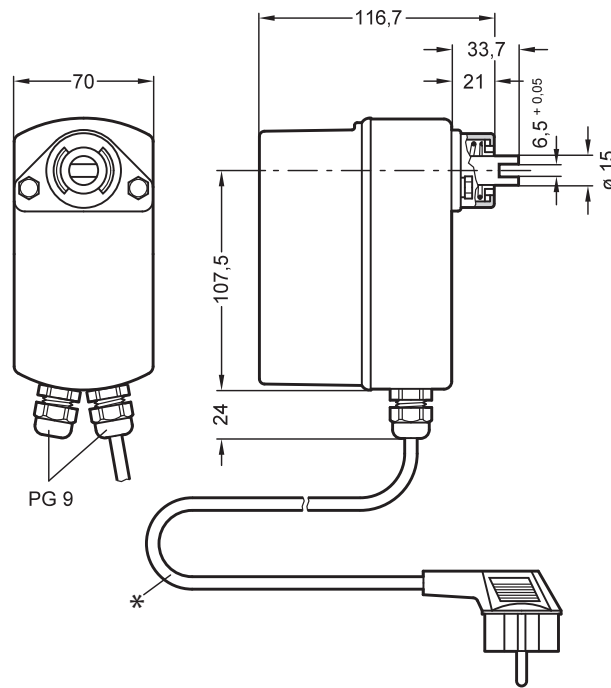
The Z74A can be operated remotely using a volt-free changeover relay. Minimum holding time to operate reverse rinsing is one second. The reverse rinsing function of the Z74A can be operated when required by a differential pressure switch with volt-free micro switch (e.g. Resideo FEMA type DDCM1). A differential pressure setting of 0.5 bar is recommended.

A pressure reducing valve must not be fitted between inlet and outlet pressure pipework. A differential pressure switch may therefore not be used with an FK74C.

For remote surveillance of the open and closed position of the ball valve a central monitoring system with 0 to 10 V input is recommended. The maximum permissible current is 10 mA. A signal value between 5 and 10 V indicates that mains current is present and that the discharge valve is closed.

DIMENSIONS

Overview



Parameter		Values
Filter size:	R	R 3/4" - R 1 1/4"
Weight:	kg	1.2

* Cable length approx. 1.5 m

Note: All dimensions in mm unless stated otherwise.

ORDERING INFORMATION

The following tables contain all the information you need to make an order of an item of your choice. When ordering, please always state the type, the ordering or the part number.

		Z74A-A
Connection type:	230 V, 50/60 Hz, 10 W	•



Manufactured for
and on behalf of
Pittway Sàrl, Z.A., La Pièce 4,
1180 Rolle, Switzerland
by its authorised representative
Ademco 1 GmbH

For more information
homecomfort.resideo.com/europe

Ademco 1 GmbH, Hardhofweg 40,
74821 MOSBACH, GERMANY

Phone: +49 6261 810
Fax: +49 6261 81309