



V340

VENUS series Lockshield Valves

For the return port of radiators, external threads

APPLICATION

VENUS series lockshield valves are used to connect radiators and other heat exchangers to heating circuits of hydronic heating systems. They are installed at the return port of the radiator and offer a shut-off function to separate the radiator from the heating circuit, for example for renovating.

FEATURES

- With shut-off function for easy removal of connected radiator
- Connection to all types of pipework DN10 to DN15
- Tailpiece with integrated EPDM O-ring

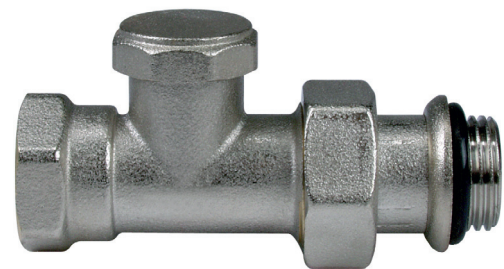
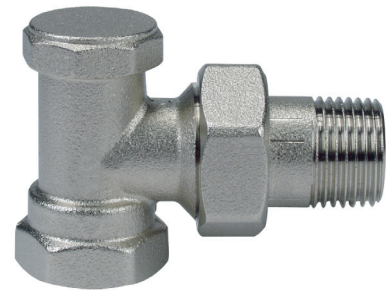
SPECIFICATIONS

Medium:	Heating water, quality to VDI 2035
pH-value:	8 - 9.5
Max. operating temperature:	120°C (248°F)
Operating pressure:	PN10
Max. differential pressure:	0.20 bar (2.9 psi) recommended for quiet operation

DESIGN

The lockshield valves consist of:

- Valve housing PN10, DN10 or DN15 with
 - internal thread connection to ISO228-1 on inlet
 - external thread connection with union-nut and radiator tailpiece on outlet
 - angle and straight bodies with dimensions according so EN215, Appendix A, Series F
- Valve insert
- Protection cap
- Union-nut and radiator tailpiece



MATERIALS

- Valve housing made of nickel-plated brass
- Valve insert made of brass with EPDM O-rings, soft seals and stainless steel spindle
- Protection cap made of grey plastic
- Union-nut and tailpiece made of nickel plated brass with EPDM O-ring

DIMENSIONS AND ORDERING INFORMATION

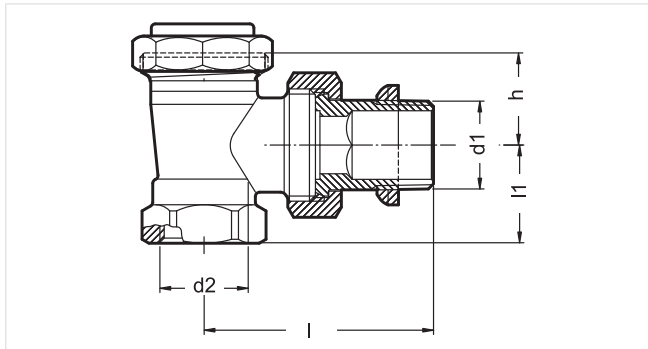


Fig. 1. Angle version

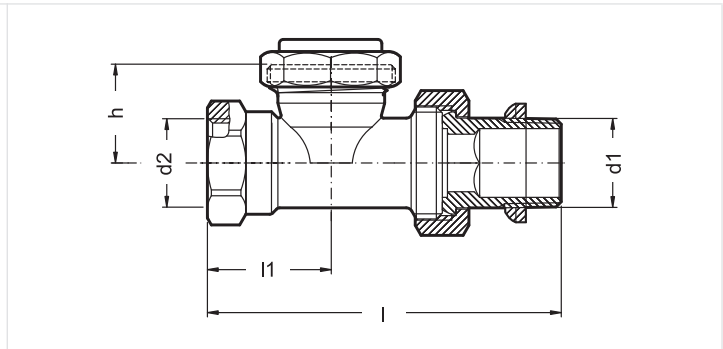


Fig. 2. Straight version

Tab. 1 Available versions and OS-Nos (OS=Ordering System)

Versions	DN	Dimensions					OS-No.
		d1	d2	l1	l	h	
Angle (Fig. 1)	10	Rp 3/8"	Rp 3/8"	20	49	21.5	V340E010
	15	Rp 1/2"	Rp 1/2"	23	53	21.5	V340E015
Straight (Fig. 2)	10	Rp 3/8"	Rp 3/8"	25	75	23	V340D010
	15	Rp 1/2"	Rp 1/2"	29	82	23	V340D015

Note: All dimensions in mm unless stated otherwise.

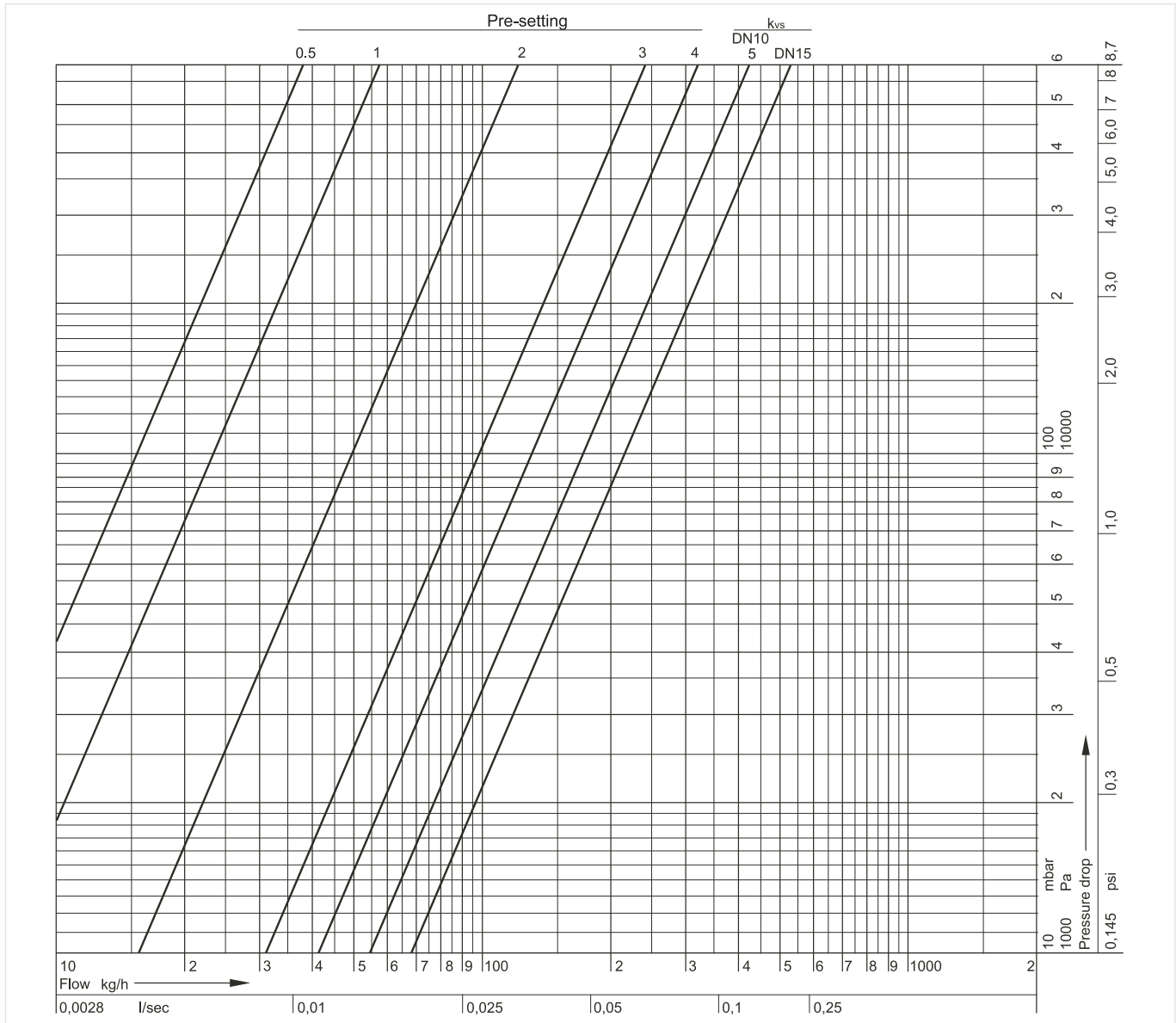
ACCESSORIES

	Description	Dimension	Part No.
	FIG3/8CS Compression fitting for COPPER and STEEL pipe Consisting of compression nut and compression ring. For valves with internal thread. Note: Support inserts have to be used for copper or soft steel pipe with 1.0 mm wall thickness. Max. operating temperature 120 °C, max. operating pressure 10 bar.		
	3/8", DN10	10 mm	FIG3/8CS10
	3/8", DN10	12 mm	FIG3/8CS12
	1/2", DN15	10 mm	FIG1/2CS10
	1/2", DN15	12 mm	FIG1/2CS12
	1/2", DN15	14 mm	FIG1/2CS14
	1/2", DN15	15 mm	FIG1/2CS15
	1/2", DN15	15 mm	FIG1/2CS15-10
	1/2", DN15	16 mm	FIG1/2CS16
	3/4", DN18	18 mm	FIG3/4CS18
	3/4", DN22	22 mm	FIG3/4CS22
	FIG3/8CSS Compression fitting for COPPER and STEEL pipe Consisting of compression nut and compression ring and support insert. For valves with internal thread. Note: Support inserts have to be used for copper or soft steel pipe with 1.0 mm wall thickness. Max. operating temperature 120 °C, max. operating pressure 10 bar.		
	3/8", DN10	12 mm	FIG3/8CSS12
	1/2", DN15	12 mm	FIG1/2CSS12
	1/2", DN15	14 mm	FIG1/2CSS14
	1/2", DN15	15 mm	FIG1/2CSS15
	1/2", DN15	16 mm	FIG1/2CSS16
	1/2", DN15	18 mm	FIG1/2CSS18
	3/4", DN20	18 mm	FIG3/4CSS18
	FIG1/2M Compression fitting for MULTILAYER pipe. Consisting of compression nut, compression ring and support insert. For valves with internal thread. Note: Max. operating temperature 90°C, max. operating pressure 10 bar		
	1/2", DN15	16 mm	FIG1/2M16X2

PLEASE NOTE:

- To avoid stone deposit and corrosion the composition of the medium should conform with VDI-Guideline 2035
- Additives have to be suitable for EPDM sealings
- System has to be flushed thoroughly before initial operation with all valves fully open
- Any complaints or costs resulting from non-compliance with above rules will not be accepted by Honeywell Home
- Please contact us if you should have any special requirements or needs

FLOW DIAGRAM



For more information

homecomfort.resideo.com/europe



Ademco 1 GmbH
 Hardhofweg 40
 74821 MOSBACH
 GERMANY
 Phone: +49 6261 810
 Fax: +49 6261 81309

Manufactured for and on behalf of the
 Pittway Sàrl, La Pièce 4, 1180 Rolle, Switzerland
 by its Authorised Representative Ademco 1 GmbH
 EN0H-2205GE25 R0520

Subject to change

© 2020 Pittway Sàrl. All rights reserved.

This document contains proprietary information of Pittway Sàrl and its affiliated companies and is protected by copyright and other international laws. Reproduction or improper use without specific written authorisation of Pittway Sàrl is strictly forbidden. The Honeywell Home trademark is used under license from Honeywell International Inc.

