



# V200N/V200S

Valve Insert type N  
Valve Insert type S

For compact radiators

## APPLICATION

Valve inserts are installed in compact radiators with integrated garniture and G<sup>1/2</sup>" connection thread or available as accessory for compact radiators with 2- or 6-point connection and without valve insert.

Honeywell Home valve inserts are suitable for all Honeywell Home thermostatic valve heads and all Honeywell Home actuators with M30 x 1.5 connection and 11.5 mm closing stroke.

## FEATURES

- Available as type N and type S with additional sleeve
- Equipped with flat cartridge, suitable for one- and two-pipe systems
- Stroke limitation with integrated flush position
- Valve can be preset with normal screwdriver
- Maintenance-free, with double O-ring spindle sealing
- Low-noise operation

## SPECIFICATIONS

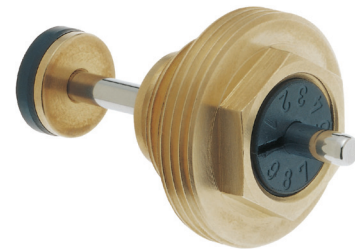
Medium:	Hot water up to 130°C (266°F) pH-Wert 8–9.5
Max. operating temperature:	130°C (266 °F)
Max. operating pressure:	10 bar (145 p.s.i.)
Max. differential pressure:	1.0 bar (14.5 p.s.i.) - 0.2 bar (2.9 p.s.i.) recommended for quiet operation
k <sub>VS</sub> -values:	1.50 (Valve insert type N) 1.10 (Valve insert type S)
Thermostat thread:	M30 x 1.5
Closing stroke:	11.5 mm
Max. stroke:	2.5 mm, depending on preset stroke limitation

## FUNCTION

Thermostatic radiator valves (TRVs) individually control room temperatures and thus save energy.

The valves are controlled by the thermostat(ic valve head). Air from the room passing over the sensor in the thermostat causes expansion of the sensor medium as the temperature rises and this causes the valve to start closing. Conversely, when the temperature falls the sensor medium contracts and the aperture becomes larger. The size of the opening for water to flow through changes in proportion to the temperature of the sensor. The valve permits only the amount of water to flow to the radiator which is required to maintain the room temperature set on the thermostat.

Product Specification Sheet • EN0H-125GE25 R0520 • Subject to change



Valve insert type N



Valve insert type S

## DESIGN

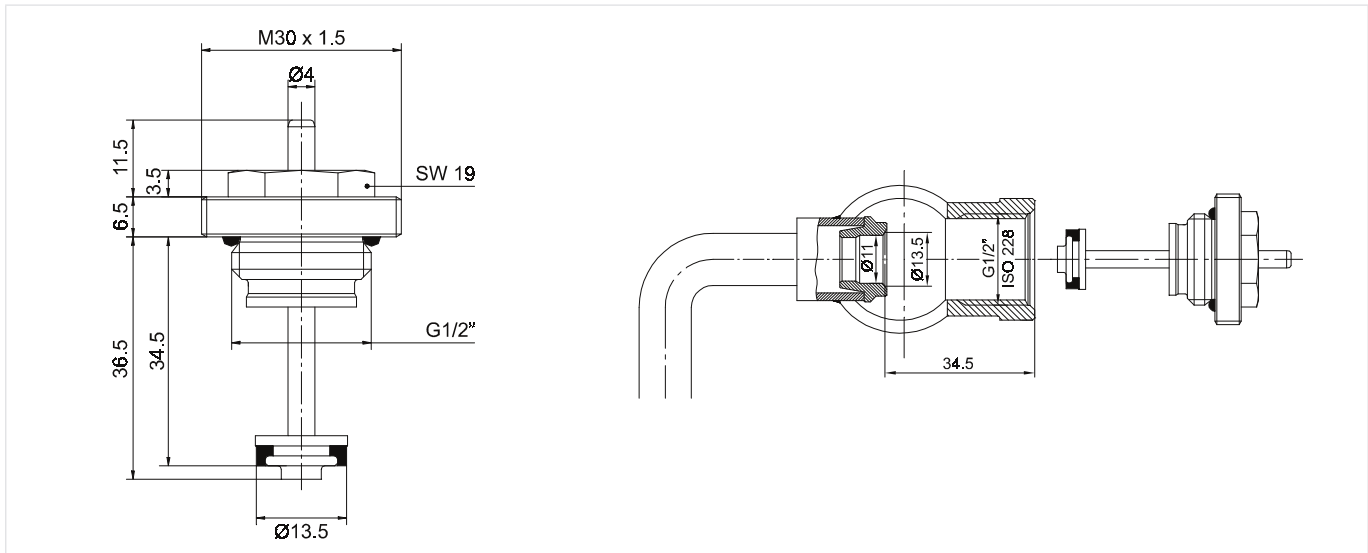
The valve inserts are made up of

- Thermostatic valve cartridge with presetting ring and flat cartridge
- Valve insert type S is equipped with an additional sleeve

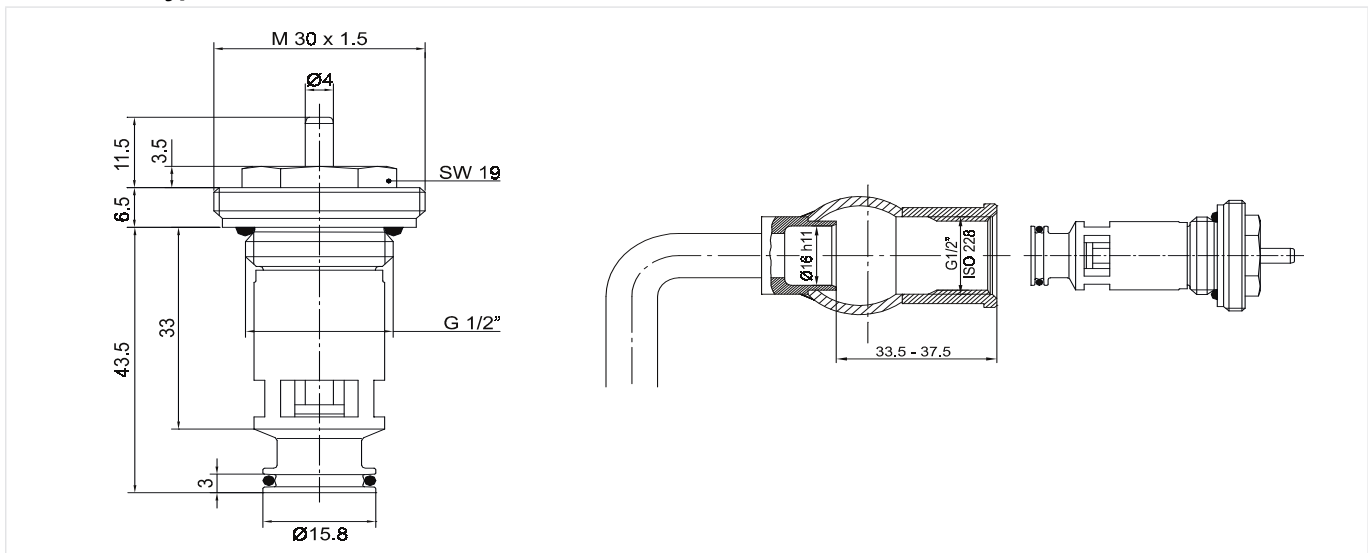
## MATERIALS

- Body made of brass
- Spindle made of stainless steel
- Flat cartridge with sealing ring made of EPDM
- O-rings made of EPDM
- Presetting ring made of plastic, black

## DIMENSIONS



Valve insert type N



Valve insert type S

## ORDERING INFORMATION

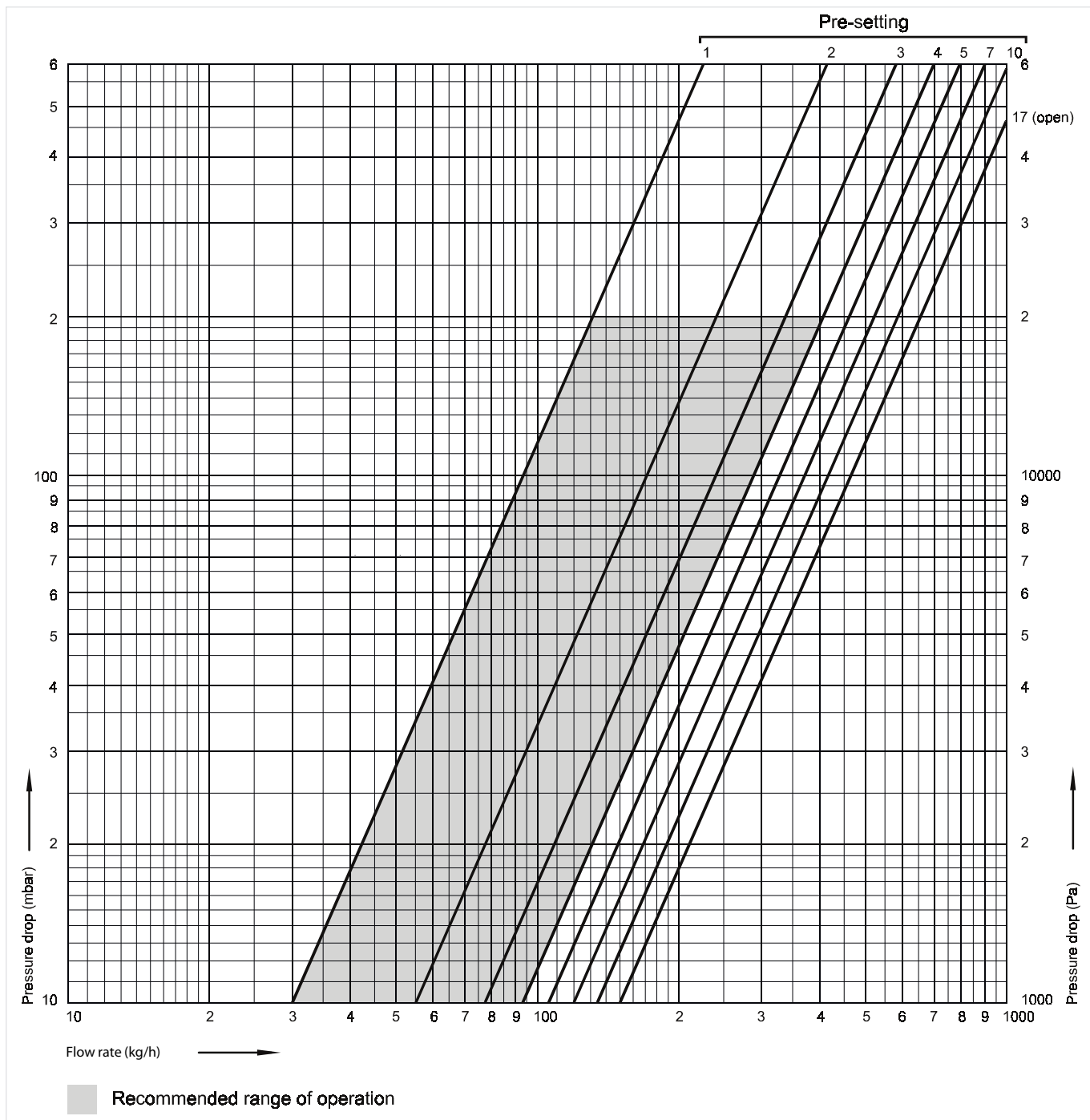
Type	Thermostat thread	Closing stroke	$k_{vs}$ -value	OS.-No.
Valve insert type N	M30 x 1.5	11.5 m	1.50	V200NCUB15
Valve insert type S	M30 x 1.5	11.5 m	1.50	V200SCUB15

## PRESETTING THE VALVE INSERT

Honeywell Home valve inserts are supplied fully open.

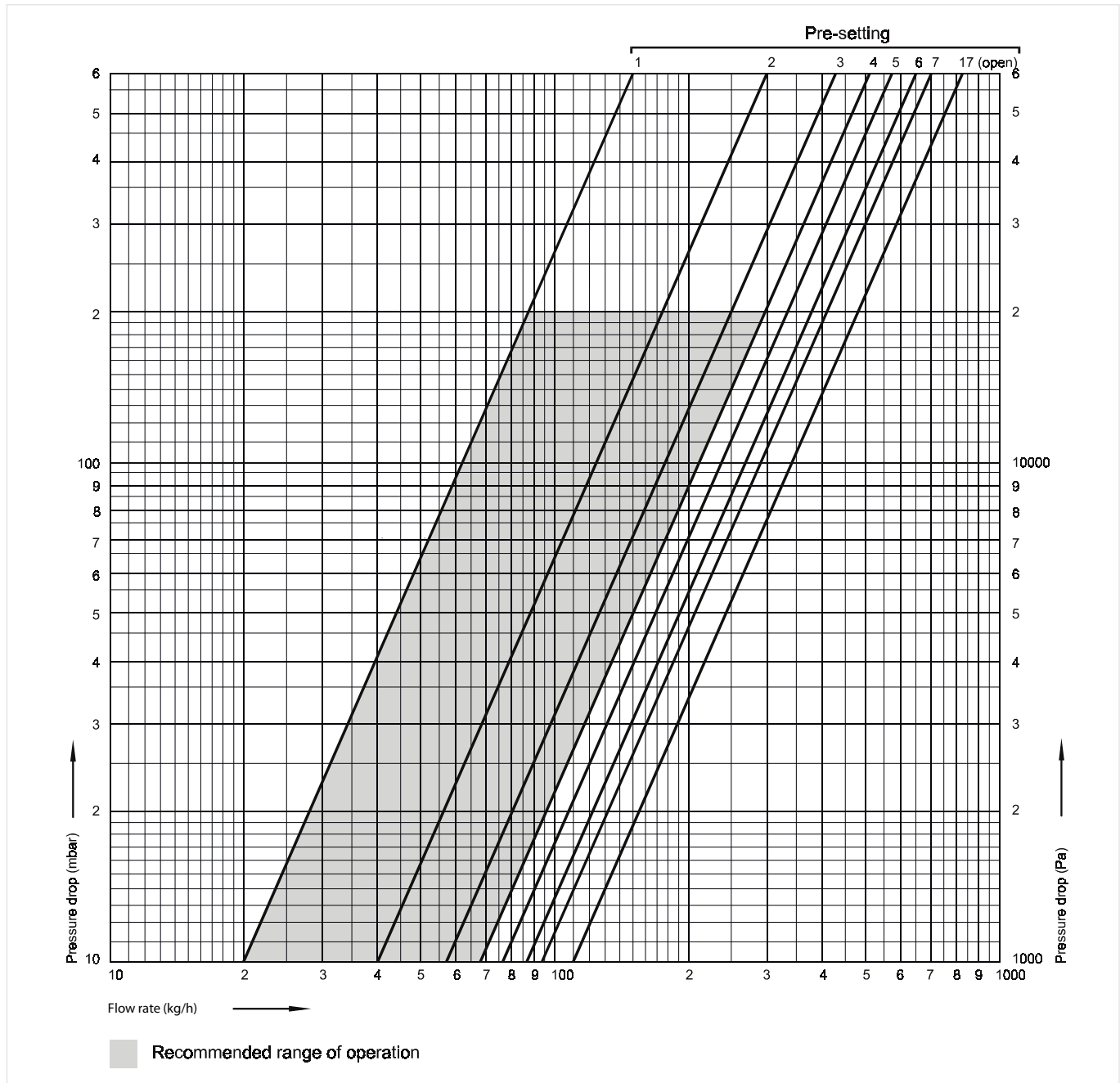
- Turn black presetting ring as far as possible to the right
- Mark position of screwdriver slit (=zero) with felt tip pen
- Look up required pre-setting in flow diagram
- Turn black pre-setting ring to determined presetting. Scale value = presetting. One complete revolution is equivalent to presetting 10
- Now the valve is preset and the thermostat can be installed

### FLOW DIAGRAM VALVE INSERT TYPE N



<b>Presetting</b>	1	2	3	4	5	7	10	17 = open
<b>k<sub>v</sub>-value</b>	0.30	0.55	0.77	0.93	1.05	1.20	1.33	k <sub>vS</sub> = 1.50

## FLOW DIAGRAM VALVE INSERT TYPE S



Presetting	1	2	3	4	5	7	10	17 = open
$k_v$ -value	0.20	0.40	0.57	0.68	0.76	0.86	0.94	$k_{vS} = 1.10$

### For more information

[homecomfort.resideo.com/europe](http://homecomfort.resideo.com/europe)



Ademco 1 GmbH  
 Hardhofweg 40  
 74821 MOSBACH  
 GERMANY  
 Phone: +49 6261 810  
 Fax: +49 6261 81309

Manufactured for and on behalf of the  
 Pittway Sàrl, La Pièce 4, 1180 Rolle, Switzerland  
 by its Authorised Representative Ademco 1 GmbH  
 EN0H-125GE25 R0520

Subject to change

© 2020 Pittway Sàrl. All rights reserved.

This document contains proprietary information of Pittway Sàrl and its affiliated companies and is protected by copyright and other international laws. Reproduction or improper use without specific written authorisation of Pittway Sàrl is strictly forbidden. The Honeywell Home trademark is used under license from Honeywell International Inc.

**Honeywell Home**