






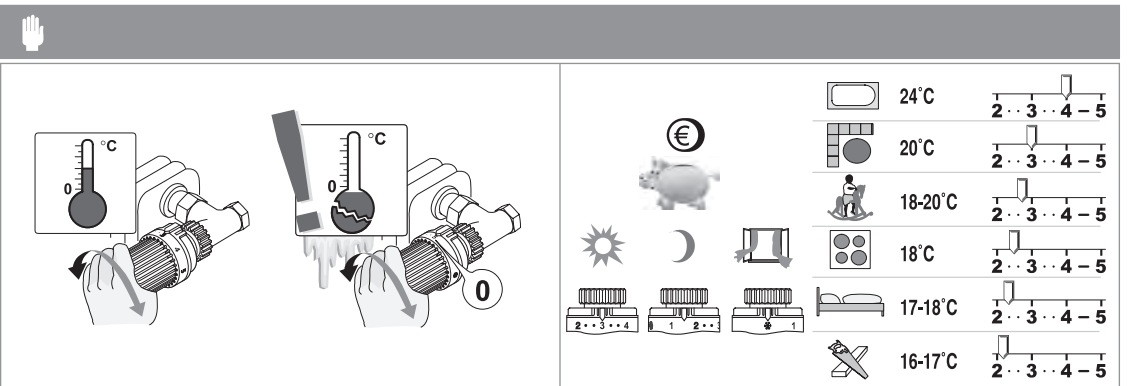
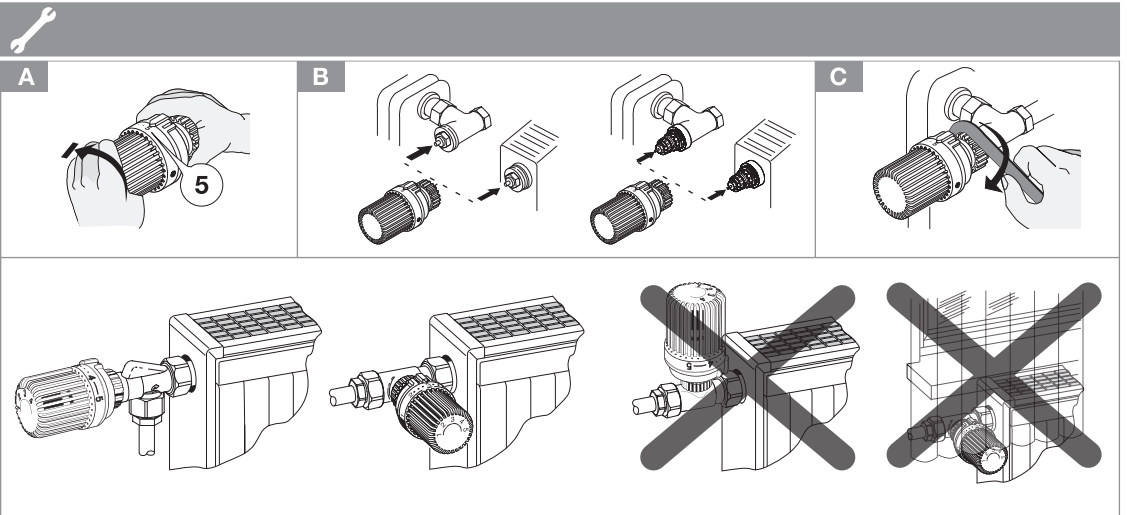
T9000 Series Thera-2

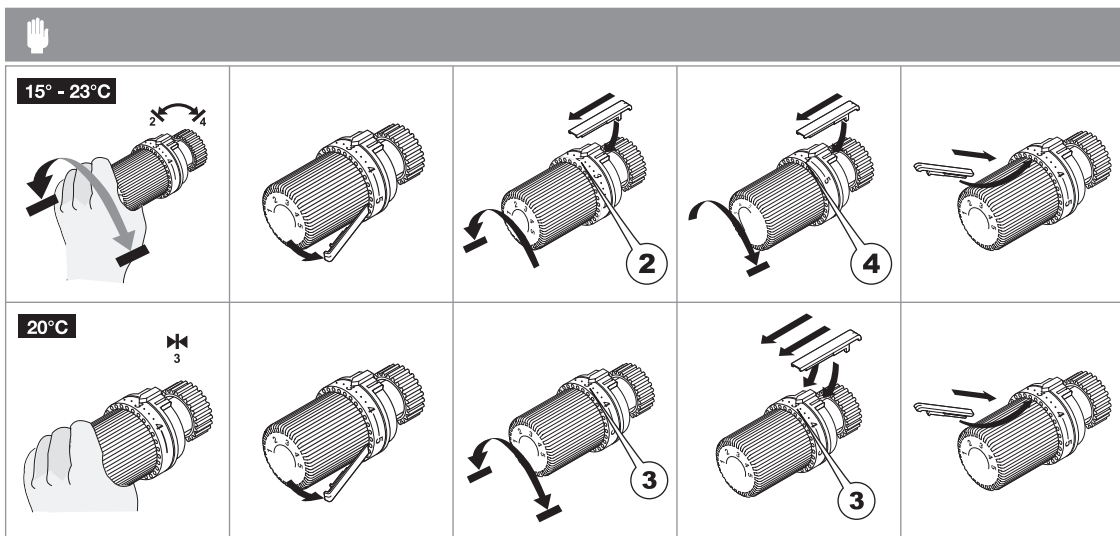


		 011	0 - * - 5	* - 5		L
	T9001	•		•	M30x1,5	
	T9001W0	•	•		M30x1,5	
	T9001DA			•	RA-type	
	T9001DAW0		•		RA-type	

	0	*	1	2	3	4	5
°C	1	6	10	15	20	23	26
°F	34	43	50	59	68	73	79

*	1	2	3	4	5
6	12	16	20	24	28
43	54	61	68	75	82





 	<p>TA6900A001</p>		<p>TA1010HZ01</p>  <p>VA8210A001</p>
 <p>TA1010DA01</p>			

For more information
homecomfort.resideo.com/europe



Ademco 1 GmbH
 Hardhofweg 40
 74821 MOSBACH
 GERMANY
 Phone: +49 6261 810
 Fax: +49 6261 81309

Manufactured for and on behalf of the
 Pittway Sàrl, La Pièce 4, 1180 Rolle, Switzerland
 by its Authorised Representative Ademco 1 GmbH
 GE2H-005GE25 R0520
 Subject to change
 © 2020 Pittway Sàrl. All rights reserved.
 This document contains proprietary information of
 Pittway Sàrl and its affiliated companies and is
 protected by copyright and other international
 laws. Reproduction or improper use without specific
 written authorisation of Pittway Sàrl is strictly
 forbidden. The Honeywell Home trademark is used
 under license from Honeywell International Inc.

