



T7500

Thera-2080WL

Thermostat with Remote Sensor for Water and Air

APPLICATION

Thermostats of this type are proportional controller without external energy requirement for the temperature-dependent control of warm air heaters, hot water generators, heat exchangers, etc. The remote sensor is directly immersed into the medium. Alternatively a sensor immersion pocket is available separately as an accessory.

Thermostats of this type with M30 x 1.5 connection are suitable for all Honeywell Home TRV bodies and radiator inserts, all Honeywell Home valve series M, as well as other TRV bodies and radiator inserts with M30 x 1.5 connection and 11.5 mm closing dimension.

FEATURES

- Remote sensor for water and air
- Equipped with memory-clip
- Equipped with limiting and blocking tabs

SPECIFICATIONS

Max. operating pressure:	130 °C (266 °F)
Max. differential pressure:	0.3 - 1 bar (4.4 - 14.5 psi), dependent upon used TRV body
Thermostat connection:	M30 x 1.5
Set point range:	2 - 7
Temperature range:	20 - 70 °C (68 - 158 °F) at nominal flow rate
Closing dimension:	11.5 mm

Note: P-bands given in the flow diagrams of thermostatic valves have to be multiplied with two when the valves are used with the Thera-2080WL. Example: kv-value 0.45 at 2K P-band for use with a normal thermostat changes to kv-value 0.45 at 4K P-band for use with the Thera-2080WL.



DESIGN

The radiator thermostat consists of:

- Housing with lid and socket
- M30 x 1.5 connection and 11.5 mm closing dimension
- Liquid-filled sensing element with capillary tube (length 2 m)
- Capillary tube
- Connection nut

MATERIALS

- Handwheel and lid made of plastic, white to RAL9010
- Socket made of black plastic
- Support cage and spindle construction made of plastic
- Liquid-filled copper sensor phial with nickel-plated copper capillary tube
- Connection nut made of nickel-plated brass

FUNCTION

Radiator thermostats of this type control the TRV body. The air passing around the sensor of the radiator thermostat causes the sensor to expand when the temperature rises. The expanding sensor closes the TRV accordingly. When the room temperature changes the TRV opens or closes proportionally. Only the amount of water required to maintain the room temperature set on the radiator thermostat is allowed to flow through the valve.

DIMENSIONS

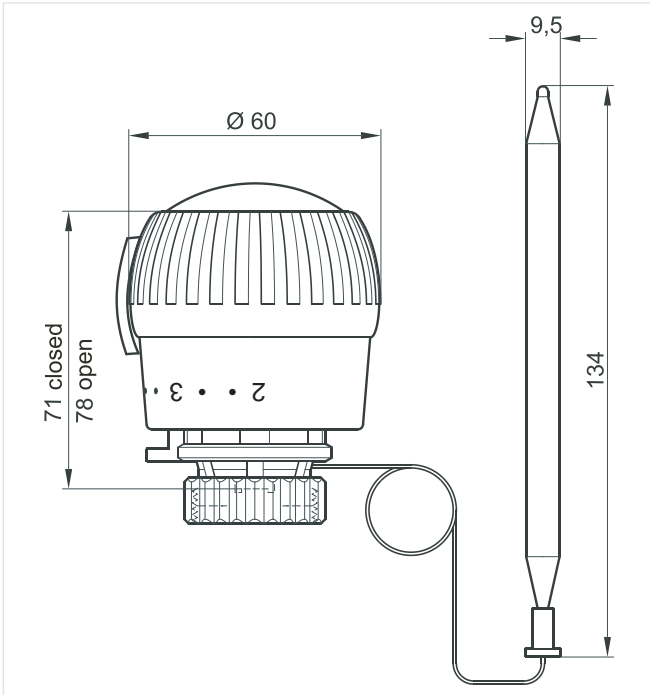


Fig. 1 Thera-2080WL with remote sensor

Note: All dimensions in mm unless stated otherwise.

ORDERING INFORMATION

Type	OS-No.
Thera-2080WL with remote sensor for water and air	T750120

SET POINT

Set point	2	3	4	5	6	7
°C	20	30	40	50	60	70
°F	68	86	104	122	140	158

Note: All °C and °F-values approximate.

PLEASE NOTE:

- To avoid stone deposit and corrosion the composition of the medium should conform with VDI-Guideline 2035
- Additives have to be suitable for EPDM sealings
- System has to be flushed thoroughly before initial operation with all valves fully open
- Any complaints or costs resulting from non-compliance with above rules will not be accepted by Honeywell Home
- Please contact us if you should have any special requirements or needs

INSTALLATION EXAMPLE

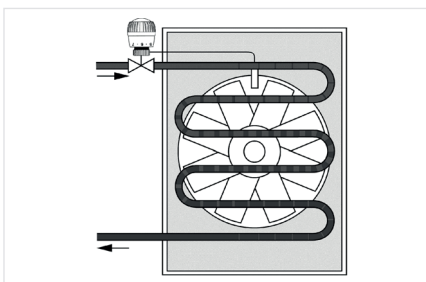


Fig. 2 Control of air heater

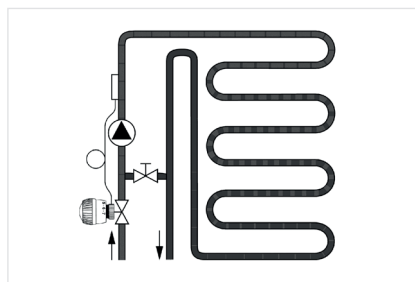


Fig. 3 Mixer control for underfloor heating

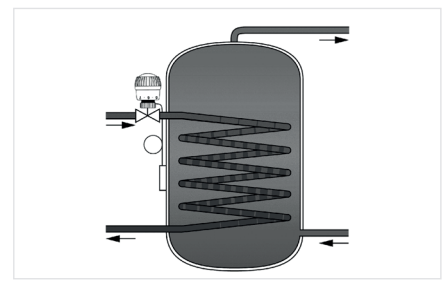


Fig. 4 For hot water storages and heat exchangers

ACCESSORIES

	Description	Dimension	Part No.
	TA1010HZ HZ - Adapter HZ-Adapter from M28 x 1.5 with 9.5 mm closing dimension to M30 x 1.5 with 11.5 mm closing dimension		TA1010HZ01
	TA1010DA DA - Adapter from Danfoss Snap connection RA to M30 x 1.5		TA1010DA01
	VA8210A Special tool for assembly of radiator thermostats		VA8210A001
	TA2085B Sealing kit for installation Thera-2080WL	R ¹ / ₂ "	TA2085B001
	TA2085A Brass sensor pocket	R ¹ / ₂ "	TA2085A001
	TA2080A Theft - protection ring with Allan screws		TA2080A001

For more information

homecomfort.resideo.com/europe



Ademco 1 GmbH
Hardhofweg 40
74821 MOSBACH
GERMANY
Phone: +49 6261 810
Fax: +49 6261 81309

Manufactured for and on behalf of the
Pittway Sàrl, La Pièce 4, 1180 Rolle, Switzerland
by its Authorised Representative Ademco 1 GmbH
EN0H-2005GE25 R0520

Subject to change

© 2020 Pittway Sàrl. All rights reserved.

This document contains proprietary information of
Pittway Sàrl and its affiliated companies and is
protected by copyright and other international laws.
Reproduction or improper use without specific
written authorisation of Pittway Sàrl is strictly
forbidden. The Honeywell Home trademark is used
under license from Honeywell International Inc.

Honeywell Home