



T6RWP – Smart thermostat

Wireless wall-powered

The T6RWP smart thermostat is designed for wall mounted installations and works wirelessly with the Receiver module (single or 2-channel version).

It provides automatic time and temperature control of heating and optionally stored Hot water systems in homes and apartments.

The T6RWP consist of a thermostat and in wall power module, which fits in a standard wall box.

The thermostat has a high contrast PMVA display with dynamic text line and touch screen buttons. The thermostat has a simple programming philosophy to make it easier to install and very user friendly.

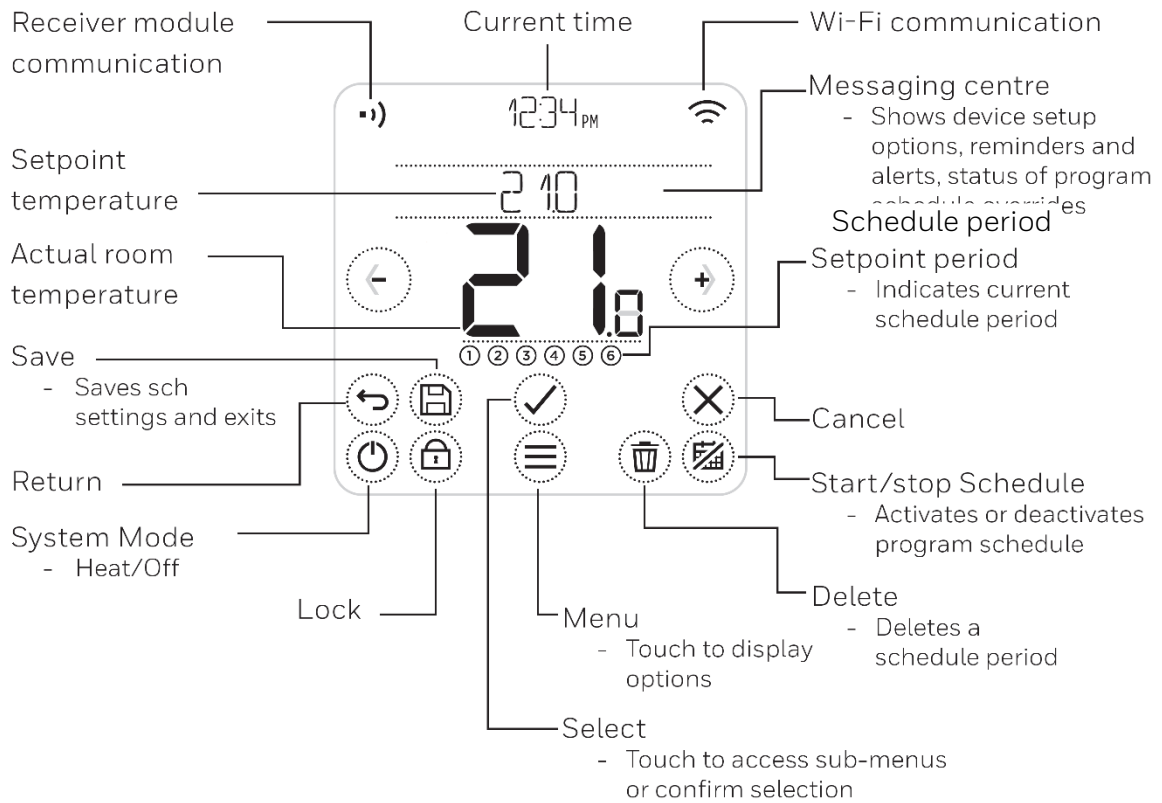
The T6 is ideal for consumers who want to control their comfort and hot water remotely and is based on a modern design, which is simple to program and easy to use.



FEATURES & BENEFITS

- Attractive, ultra-modern styling makes it ideal for any location in any type of home.
- Wall mounted thermostat to fit a new and replacement installations where 230V is available.
- For control of central heating and optionally stored hot water systems.
- Wi-Fi communication to connect to the Internet
 - Smart Home and Apple HomeKit ready
- Honeywell Home mobile App for:
 - Remote view and change of settings of heating and hot water
 - Schedule changes
 - Smartphone Geolocation temperature control
- A dynamic text display on the LCD that gives enhanced feedback to the user / installer.
- High LCD Contrast and backlighting for easier viewing in all light conditions.
- Time out screen with selectable brightness
- Heating control:
 - Factory programmed daily or 5+2 default schedule
 - Schedule with up to 6 independent time and temperature pairs to suit the comfort needs.
 - "Hold until" temperature override of programmed schedule temperature till the next switch point.
 - Schedule off mode for manual operation.
 - Setpoint and room temperature always displayed.
 - OFF position has an integral frost protection setting at minimum 5°C so that pipes in the house will never freeze in winter.
- Hot water control (optional):
 - Factory programmed daily or 5+2 default schedule.
 - Schedule with up to 3 ON periods per day to suit the comfort needs.
 - Hot water Boost function for temporary override
- Alert messages to assist in fault-finding.
- Works wirelessly with standard Receiver module and 2-channel Receiver box.
- Requires to be bound with a Receiver box
- User menu allows extra functions to be set at the discretion of the user:
 - Language selection
 - Wi-Fi setup
 - Optimisation
 - Clock setting
 - Resetting the heating program to factory default
 - Brightness
 - Temperature offset
 - Lock function
- Advanced menu (Installer Set-Up) allows extra functions to be set at the discretion of the installer to match the consumer's applications and needs:
 - Language selection
 - System type
 - 5+2 or daily schedule option
 - Upper / Lower Set point Limit Adjust
 - Minimum ON time
 - Cycle rate
 - Factory Reset
 - Binding (wireless version)

Thermostat Display/button Layout



Reference to the icons:

- | | | | |
|--|-------------------------|--|-------------------------------|
| | Geofencing active | | Heating demand active |
| | Geofencing home active | | Hot Water Enabled |
| | Geofencing away active | | Heating Mode |
| | Geofencing sleep active | | Cooling Mode |
| | Failure/Alarm | | Receiver module communication |
| | Optimisation active | | Communication failure |
| | Schedule disabled | | Wi-Fi communication |
| | Schedule enabled | | Wi-Fi failure |
| | Temporary Hold active | | |

Technical Specifications

T6RWP Thermostat

Control form	: Adaptive Fuzzy Logic
Room	: From 0°C to 50°C
Temperature display range	
Dimensions (w x h x d)	: T6RWP (wireless) 103 x 103 x 68 mm
Time display	: 24 hour or 12 hour AM/PM format
Time keeping accuracy	: Synchronized with Internet when connected or typically better than 10 minutes per year
Program Heating	: 5+2 or daily schedule with 6 daily time and temperature level changes
Program Hot water	: 5+2 or daily schedule with 3 ON periods per day
Time setting resolution	: Program - 10 minute steps
Sensing element	: 100K (@ 25 °C) NTC thermistor
Temperature setting range	: Program : 5 to 37°C in 0.5 °C steps OFF : 5°C
Power	: 5VDC

RF communication

RF operation band	: ISM (868.0-868.6) MHz, 1% duty cycle
Max. power	: 25mW
Protocol	: Encrypted
Comm. Range	: 30 m in a residential building environment
Comm. technology	: short, high rate transmissions to minimise air time and avoid collisions
Receiver class R.E.D.	: RX Cat 2 (ETSI EN300 220-1 version 1.3.1)
RF binding method	: Factory pre-bound
Wi-Fi	: IEEE 802.11b/g/n – 2.4GHz
Max. power	: 100mW

ACC900 In-wall power module

Power	: 230VAC
Output	: 5VDC Max. 650mA
Wiring (230V)	: Terminal block capable of accepting wires up to 1.5 mm ²
Wiring (5VDC)	: 10 cm cable with 2 wires.
Dimensions	: 49 x 52 x 27 mm (w x h x d)
IP class	: 30


Environmental and standards

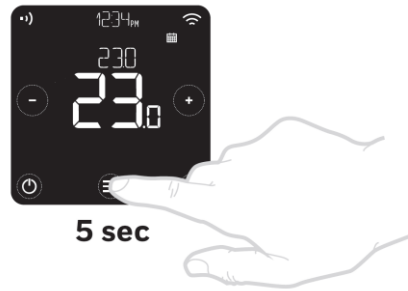
Operating temperature range	: 0 to 40°C
Shipping and storage temperature	: -20 to 55°C
Humidity range	: 10 to 90% rh, non-condensing
Receiver Category 2	: 868.3MHz
Max RF Power	: 25 mW
Operating frequency	: 868–868.6MHz
Wi-Fi	: 2.4GHz
Max Power	: 100mW
Operating frequency	: 2.4–2.458GHz
ErP	: Class V (+3%), (EU) 811/2013

Hereby, Pittway Sarl declares that that the radio equipment type T6H700RW is in compliance with Directive 2014/53/EU.
The full text of the EU declaration of conformity is available at the following internet address:
<https://hwllhome.co/DoC>

Advanced menu

To enter the Advanced menu (installer set-up):

Press the  menu key for 5 seconds.



Menu item	Default	Options
Language	English	English, Francais, Espanol, Deutsch, Nederlands, Italiano
System type	Heat + H/W	Heat only, Heat + H/W
OpenTherm	-	OpenTherm boiler data when a vailable
Cycle rate	6	3,6,9 or 12
Min on time	1 minute	1, 2, 3, 4 or 5 minutes
Heat range	Min = 5.0 Max = 37.0	Min: 5.0°C to 21.0 °C, Max:21.0°C to 37.0 °C
Schedule options	Daily	1 = daily schedule, 2 = 5+2 days schedule
Optimisation	Opt.start on Opt.stop off	Opt start: 0 = off, 1 = on, 2 = Delayed start Opt stop: 0 = off, 1 = on
Clock	Format: 24h Time: --:-- Date: 01/09/2016	Clock format: 1 = 12h, 2 = 24h Setup time and date
Low Load Control	ON	0= Off, 1 = On
Temperature offset	0.0	-1.5°C to 1.5 °C
Bind	-	Bind, check RF and clear bind.
Adv Reset	-	Factory, schedule, Wi-Fi and Homekit reset
Failsafe	OFF	0= Off, 1 = On

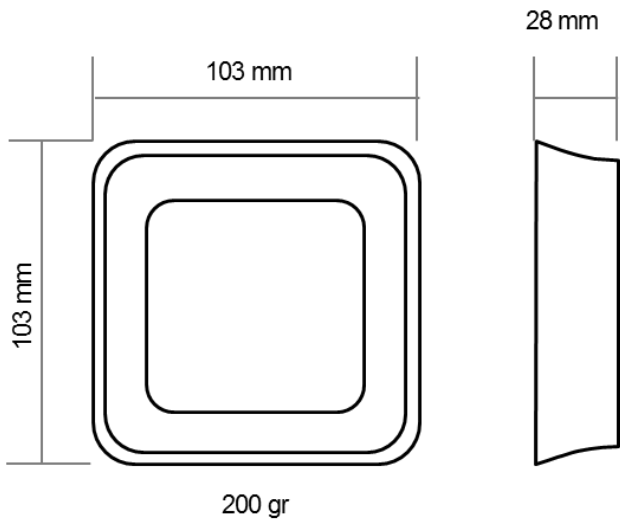
Specific Applications		Setting		What do you need to change?
		Cycle/ Hour	Minimum ON time (in minutes)	Note : a. To change Cycle/Hour, b. To change Minimum ON Time,
Heating	Gas Boilers (<30KW)	6	1	No action required
	Oil Boiler	3	4	1. Set Minimum ON Time to 4 minutes. 2. Set Cycle/Hour to 3.
	Thermal Actuator	12	1	Set Cycle/Hour to 12.
	Zone valve	6	1	No action required.

Special Features	Description
System Type	When bound to a 2-channel receiver box the system type can be set: Heating only, Heating + Hot Water
OpenTherm	If the Receiver box is connected to an OpenTherm appliance various appliance specific data can be viewed. The data displayed is depending on what the appliance is providing.
Heat Range	The normal lower temperature limit of 5 °C can be increased up to 21 °C to protect the inhabitants from cold conditions. This is a useful feature aimed at supporting the elderly, children and disabled inhabitants. The normal upper temperature limit of 35 °C can be reduced down to 21 °C to save energy. This feature is useful for leased homes and apartments.
Schedule options	The thermostat has 2 default schedules: daily (every day) and 5+2 (week + weekend days)

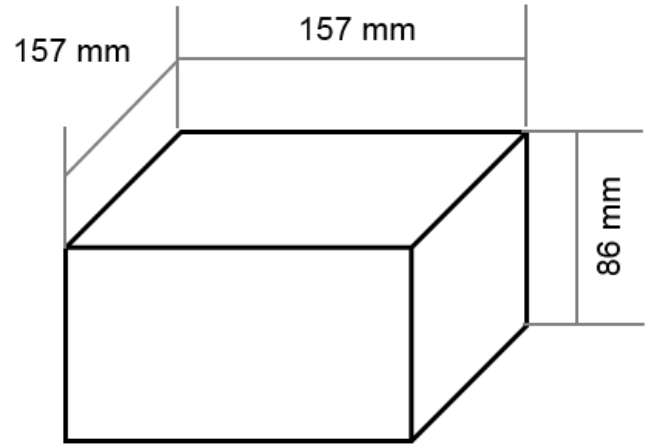
Special Features	Description
Optimisation (optimal start, optimal stop and delayed start)	<p><u>Optimal Start</u>: learns how long it takes your system to reach the programmed temperature. It turns on the heating system earlier to make sure it's comfortable at the scheduled time.</p> <p><u>Optimal Stop</u>: Saves energy and money by switching off a little bit earlier than the normal programmed time. If the home is up to temperature, it will not notice the effect on the temperature, but will show a difference in the fuel bill.</p> <p><u>Delayed start</u>: Saves energy by slightly delaying the start of heating depending on the difference between the scheduled temperature and the actual room temperature</p>
Clock setting	Change display format (default 24hr) and adjust time and date. When connected to Internet time and date will be synchronized
Low Load Control	If the Receiver box is connected to an OpenTherm appliance this setting is used in the demand control. When an appliance is no longer able to modulate lower the control switches from modulating control to low/off control.
Temperature Offset	If the Thermostat is located in a hot/cold location and cannot be moved because of wiring then the measured/ displayed temperature can be adjusted by +/- 1,5 °C. This feature is useful if the homeowner wants the reading to match another appliance temperature display.
Binding	Menu to bind the Thermostat and the Receiver box, test the RF signal strength of the radio communication and to clear an existing binding.
Reset	Menu to reset the thermostat back to factory default settings, reset the schedule to default settings, reset the Wi-Fi and Homekit settings.
Failsafe	When the radio communication between the Thermostat and Receiver box is lost for longer than 1 hour the Receiver box will start to cycle the demand 20% on / 80% off.

Advanced menu item	Default	Data / Options
OpenTherm	Submenu (read only)	<ul style="list-style-type: none"> - Low Load Control - Control Setpoint → Requested supply temperature - Supply Water Temperature → Actual supply water temperature - Return Water Temperature → Actual return water temperature - Max Supply Water Temperature - Hot water Temperature → Actual hot water temperature - Hot Water Setpoint - Actual Power → Actual power of appliance - Water Pressure
Hot Water Overnight	1	0= OFF, 1 = ON
Hot Water Setpoint	60	30 tot 75 °C (appliance depending)
Max Supply Water Setpoint	90	30 tot 90 °C (appliance depending) - future
Low Load Control	1	0= OFF, 1 = ON

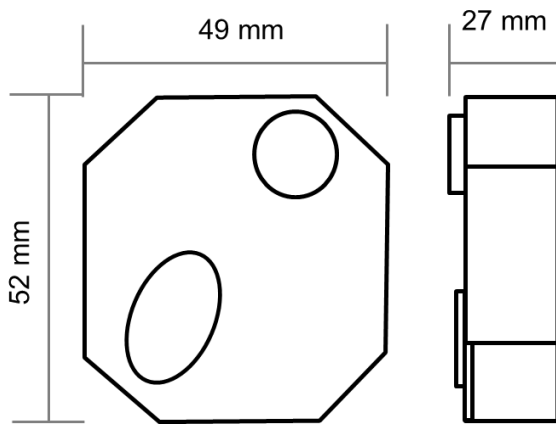
Dimensions



T6RWP THERMOSTAT



PACKAGING

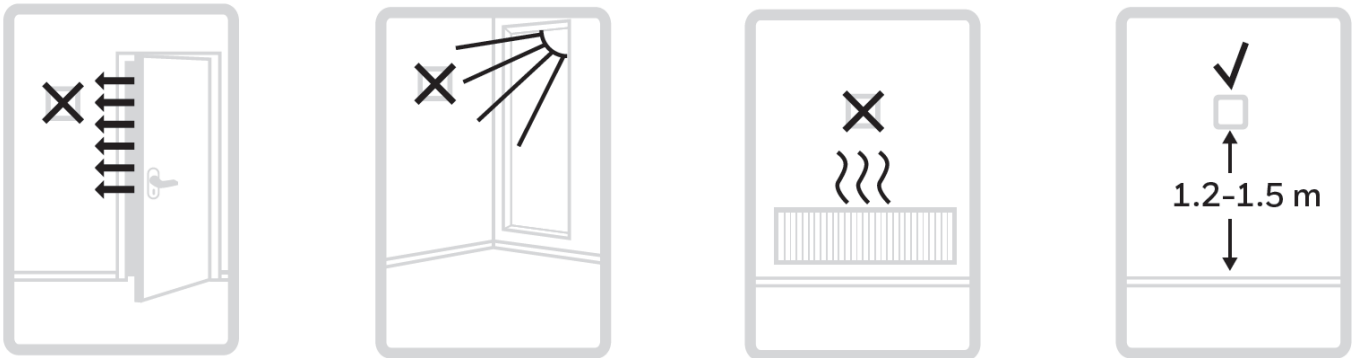


ACC900 IN-WALL POWER MODULE

Installation

To ensure your safety, **always make sure mains power is switched OFF** before accessing wiring.

Before removing the old thermostat take a picture of the old thermostat's wiring as a reference then proceed to installation.



The T6RWP thermostat should not be placed near draughts, in direct sunlight or near heat sources. It should be at least 1.2 - 1.5 meters from the floor.

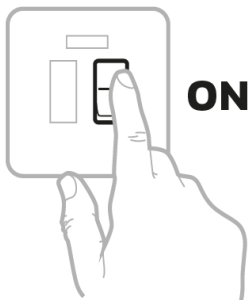
Needed during installation:

- Wall box with minimum depth of 40 mm and with 230V cabling (neutral and line)
- An installed Receiver Box (single or 2-channel version)

Install thermostat

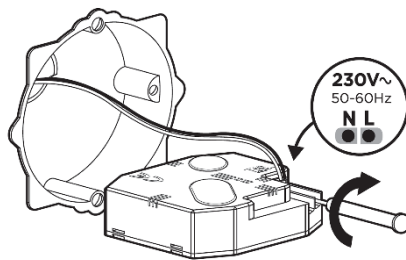
A. Power off

First make sure the power is turned off!



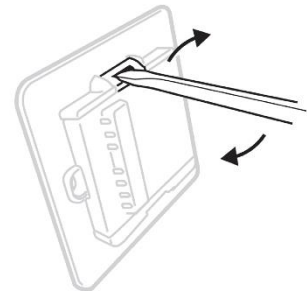
B. Power module

Connect the 230V power wires to the power module.



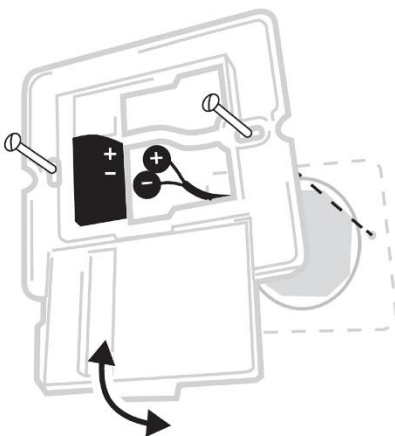
C. Wall plate

Using a screwdriver open wall plate terminal cover to connect wires.



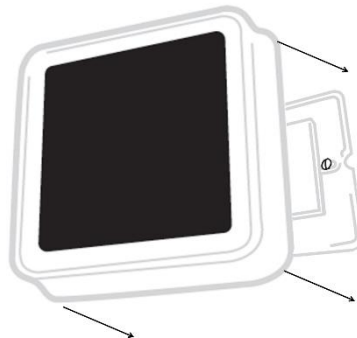
D. Wiring wall plate

Connect thermostat wires to the terminals: **red to +** and **black to -**



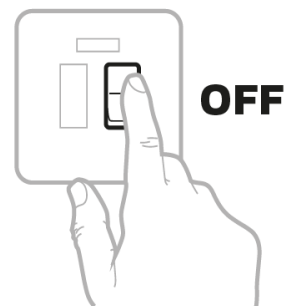
E. Place thermostat

Attach the thermostat to the wall plate when finished.



F. Power on

Turn power back on



Complete installation – Setup, Configure and Binding

After power up of the T6RWP thermostat the SETUP screen is shown and the following steps need to be done to complete the installation.



Start setup, press arrow



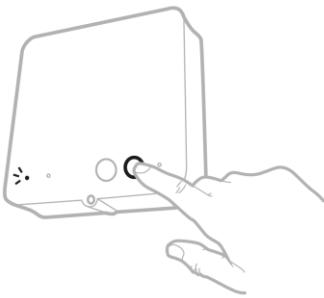
Select language.



Set clock format, time and date.



Now bind with the Receiver box




Press the big button on the Receiver Box for 3 seconds

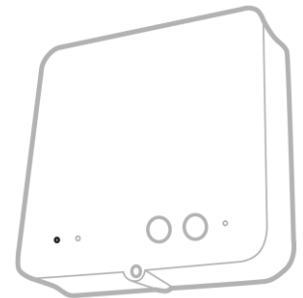


Press  to bind the thermostat to the Receiver Box



When binding is successful:
 - Thermostat will show SUCCESS
 - First Receiver box status LED will show green

Press  to continue the set up.



When bound to a 2-channel Receiver box, the system type can be selected.

Press  to set up system type.

HEAT


HEAT + H/W

Select the system type and

press 



Touch  to finalise setup.

( to setup using the Honeywell Home App is currently unsupported)

Once setup is completed go to the advanced menu to change application specific changes.

BINDING

The T6RWP Smart Thermostat wireless thermostat comes unbound from the factory and binding is required during installation (see previous page).

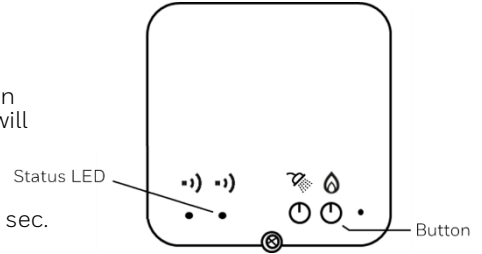
The binding operation described below is only required if:


- The T6RWP thermostat or Receiver box is replaced.
- The T6RWP thermostat or Receiver box has incorrect or no binding data stored.
 - Thermostat will indicate the Alert message: NO RECEIVER BOX BINDING
 - Receiver box status LED remains green blinking (no communication from thermostat)
 - Receiver box status LED does not light up (not bound).

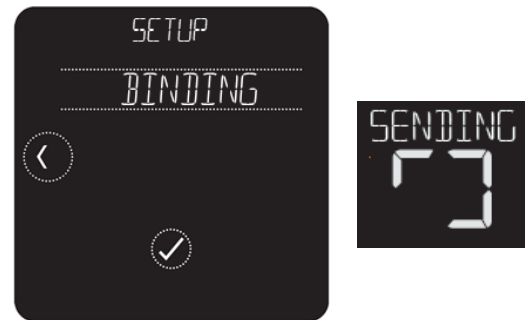
To rebind

Note: When the Receiver box has been bound before first press with a small pin the pinhole for approximately 3 seconds to reset the binding. All LED's will flash amber for a moment.

- Put the Receiver box into binding mode by pressing the Heat button for 3 sec.
 - The first LED will flash amber



- Enable binding on the thermostat:
 - Enter the advanced menu by pressing the  button for 5 sec.
 - Navigate to BINDING
 - Select BIND and the signal will be sent



- When binding is successful:
 - Thermostat will show SUCCESS
 - First Receiver box status LED will show green



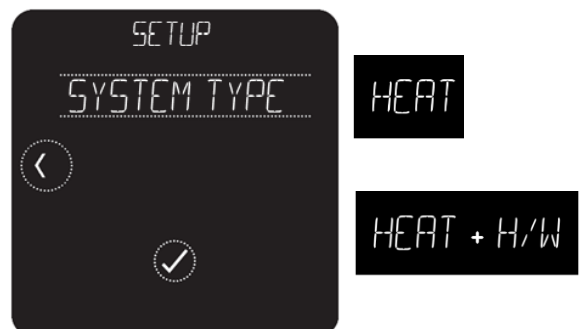
When binding is **NOT** successful:
 - Thermostat will show FAILED
 - Receiver box will exit binding after 3 min.
 RF communication might be too far or is blocked due to wrong location of the Thermostat or Receiver box. Try to move closer or re-locate and re-bind again.



System type setting (optional)

After binding with a 2-channel Receiver box the System type of the thermostat can optionally to be set to enable heating and also hot water control.

- In the Advanced menu navigate to System Type.
 - Select Heat for only heating or 2 zone control
 - Select Heat + H/W for heating and hot water control
- Exit the Advanced menu and the binding and setup is complete



Trouble Shooting

Symptom (Fault message)	Possible Cause	Remedy
The Receiver box button LED is green but the heat or hot water does not switch on.	Heat or hot water wiring might be incorrect or broken	Check the Receiver box wiring
The status LED on the Receiver box is red (Communication loss)	The Receiver box receives no communication from the thermostat: RF communication might be too far or is blocked due to Receiver box location. Thermostat is no longer powered.	Try to move thermostat or Receiver box closer or re-locate. Check the power to the thermostat
Thermostat alert messages		
WIFI RADIO ERROR	The Wi-Fi radio of thermostat is faulty.	Replace thermostat
INTERNAL MEMORY ERROR	The internal memory of thermostat is faulty.	Replace thermostat
INDOOR TEMPERATURE SENSOR ERROR	(wired only) The external temperature sensor is not connected or the wiring is faulty.	Check external sensor wiring and sensor
NO COMMUNICATION RECEIVER BOX	The thermostat receives no communication from the thermostat: RF signal is blocked due to the location of the thermostat. Receiver box is no longer powered.	RF communication might be too far or is blocked due to the location of the Thermostat or Receiver box. Check the power to the Receiver box
RF SIGNAL OF RECEIVER BOX LOW	There is a weak radio signal from the Receiver box	Try to move thermostat or Receiver box closer or re-locate.
NO RECEIVER BOX	The thermostat is not bound with the Receiver box	Bind or re-bind the Receiver box
NO INTERNET	Thermostat has no longer Internet connection.	End user needs to check their Internet connection via router.
NO WIFI SIGNAL	Thermostat has no longer a Wi-Fi connection.	End user needs to check their Wi-Fi network of router.
REGISTER ONLINE	Thermostat is connected to Internet but not yet registered to an account.	End user needs to download the App, create an account and register the thermostat.
WIFI NOT CONFIGURED	Thermostat is not connected to Wi-Fi network.	End user needs to download the App, create an account, connect and register the thermostat.
BOILER FAILURE FAULT XX	The OpenTherm boiler reported a failure number XX.	Check the boiler
BOILER LOW WATER PRESSURE	The boiler reported low water pressure.	Fill up the hydronic system with water.

Ordering specification

Description	Model	EAN code	Literature
Smart Thermostat wall powered	T6H700RW5001	5025121380027	http://hwllhome.co/eut-T6

For more information:
Phone: 0300 130 1299

200 Berkshire Place
Winnersh Triangle,
Berkshire RG41 5R



resideo

Pittway Sarl, Z.A. La Pièce 4,
1180 Rolle, Switzerland

homecomfort.resideo.com

© 2020 Resideo Technologies, Inc. All rights reserved.
The Honeywell Home trademark is used under license from
Honeywell International Inc.
This product is manufactured by Resideo and its affiliates.

T6RWP-EN0H 8606 NLO1 R0920