



T6 SMART THERMOSTAT

Compatible with 24-230V on/off and OpenTherm® appliances such as gas boilers, combi-boilers and heat pump. Also works with zone valve applications but not with electric heating (240V).

Need help? For assistance please visit: getconnected.honeywellhome.com
Resideo, 200 Berkshire Place, Winnersh Triangle, Berkshire RG41 5R
Phone: 0300 130 1299

Approvals

Hereby, **Pittway Sarl** declares that the radio equipment type T6 is in compliance with Directive 2014/53/EU. The full text of the EU declaration of conformity is available at the following internet address: <https://hwlhome.co/DoC>

Wi-Fi (2.4GHz): Max Power 100mW, 2.4-2.458GHz
ErP: Class V (+3%), (EU) 811/2013



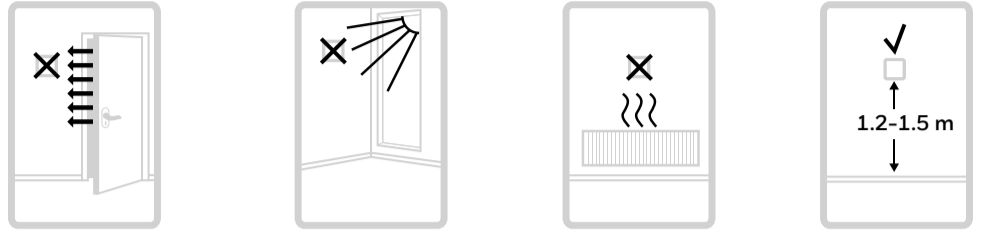
Must be installed by a competent person!

Read these instructions carefully. Failure to follow these instructions can damage the product or cause a hazardous condition.

1 Turn OFF the power and remove the old thermostat

To ensure your safety, **always make sure mains power is switched OFF** before accessing wiring.

Before removing the old thermostat take a picture of the old thermostat's wiring as reference then proceed to installation.



The T6 thermostat should not be placed near draughts, in direct sunlight or near heat sources. It should be at least 1.2 - 1.5 meters from the floor.

Maximum cable length between Receiver box and thermostat:
15m for 0.5mm² cable or 20m for 1.0mm² cable.



WEEE Directive 2012/19/EC

Waste Electrical and Electronic Equipment directive

At the end of the product life dispose of the packaging and product in a corresponding recycling centre. Do not dispose of the unit with the usual domestic refuse. Do not burn the product.

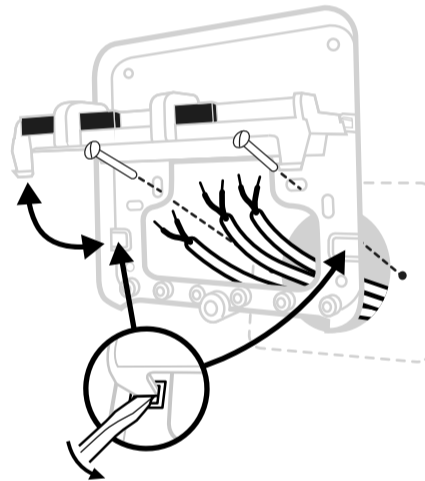
3 Install the Receiver Box



Please refer to the wiring diagrams over the page

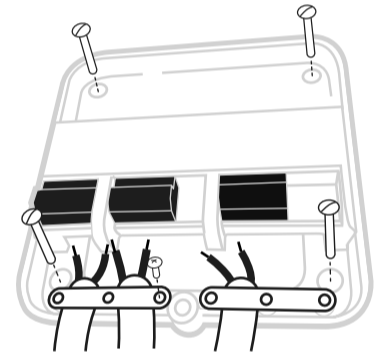
A) Wall box or Rear Wiring

Hinge open the terminal block flap to access the cables and wall box screw holes.



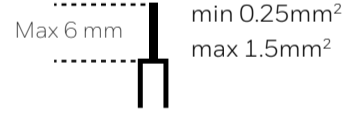
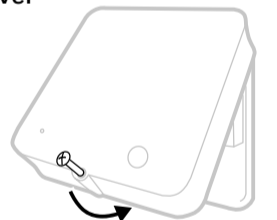
B) Surface wiring

Use the cable clamps to secure the surface wiring.



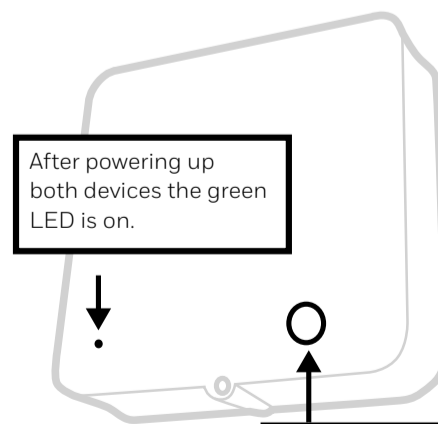
C) Replace the cover

Locate the hinges at the top of the cover and wall plate, close the cover and secure with the screw.



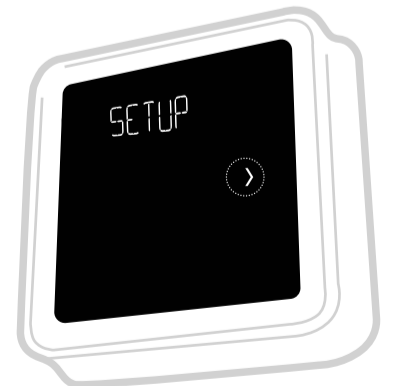
5 Complete installation

Turn ON mains power to the Heating Appliance and Receiver Box.



After powering up both devices the green LED is on.

Push the button to check if the boiler switches on. Button lights green.



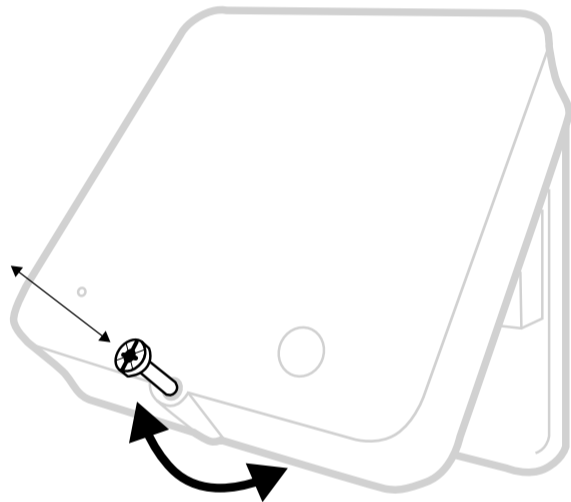
After power up, SETUP is displayed on the thermostat's screen.

2 Prepare Receiver Box for installation

Before installation of the Receiver Box

Find a suitable location near to the boiler.

Loosen the front screw to remove cover or tighten it when the cover is back in place.

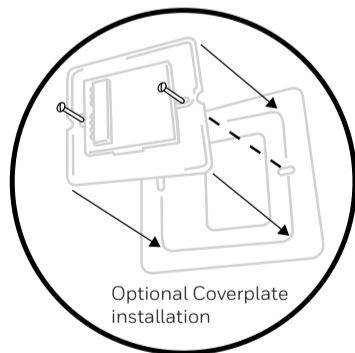


Needed during installation:

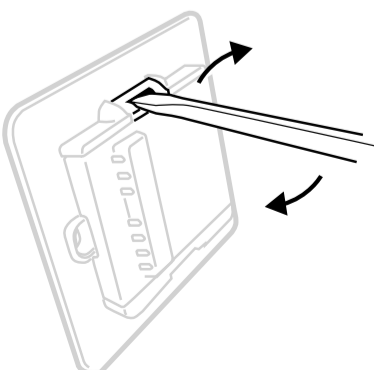
- Cable with 2 wires from the Receiver Box (R4H810A) to thermostat.
- Cable with 2 wires from the boiler to Receiver Box.
- The Receiver Box requires 230V power

4 Install the T6 thermostat

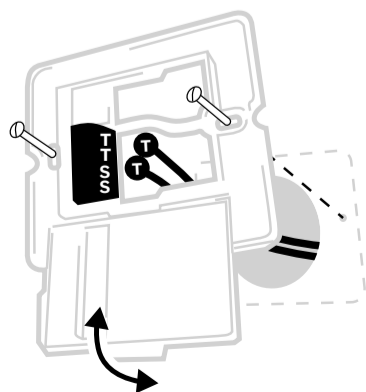
Remember to use the same wires that you connected to the Receiver Box when connecting to the thermostat.



A) Using a screwdriver open wallplate terminal cover to connect wires



B) Connect 2 thermostat wires to the T and T terminals and close cover.



C) Attach the thermostat to the wallplate when finished.

6 Set Up and configuration



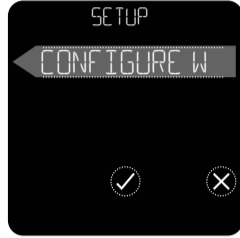
1) Touch to begin setting up the thermostat.



2) Select your language.

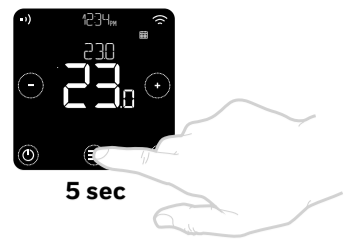


3) Set the clock format, time and date.



4) Touch to finalise setup.
(to setup using the App is currently unsupported)

Once setup is completed, if you need to change more settings go to the advanced menu. To access the advanced menu press for 5 seconds.

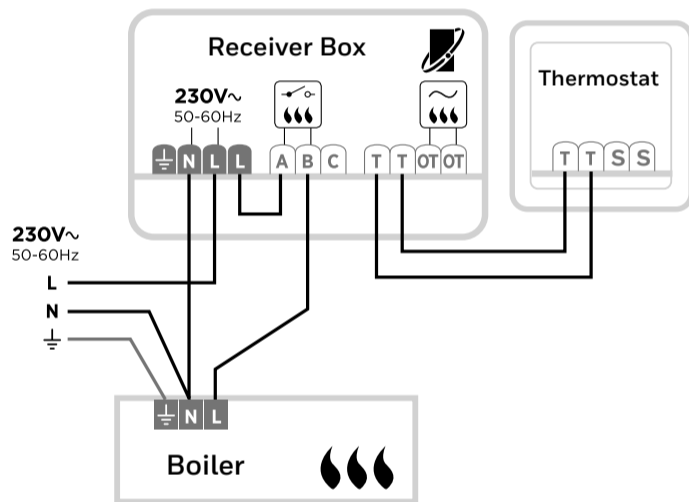


In the advanced menu the following settings can be adjusted:

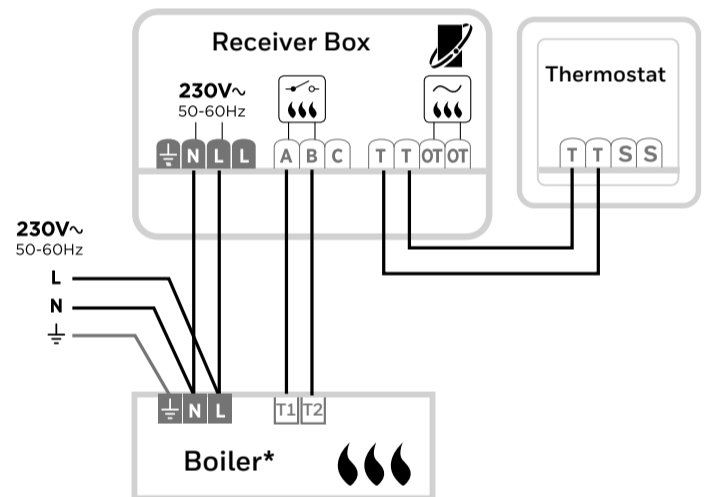
Menu Item	Default	Options
LANGUAGE	English	0 = English, 1 = Français, 2 = Español, 3 = Deutsch, 4 = Nederlands, 5 = Italiano
OPENTHERM	-	OpenTherm boiler data when available
CYCLE RATE	6	3, 6, 9 or 12
MINIMUM ON TIME	1 minute	1, 2, 3, 4 or 5 minutes
HEAT RANGE	Min = 5.0°C Max = 35.0°C	Min: 5°C to 21°C, Max: 21°C to 35°C
SCHEDULE OPTIONS	Daily	1 = Daily schedule, 2 = 5+2 days schedule
EXTERNAL SENSOR	No sensor	0 = No sensor, 1 = Room sensor
OPTIMISE	Opt. start OFF Opt. stop OFF	Opt. start: 0 = OFF, 1 = ON, 2 = Delayed start Opt. stop: 0 = OFF, 1 = ON
CLOCK	Format: 24h Time: --:-- Date: 01/09/16	Clock format: 1 = 12h, 2 = 24h Setup time and date
LOW LOAD CONTROL	ON	0 = OFF, 1 = ON
TEMPERATURE OFFSET	0.0°C	-1.5 °C to 1.5°C
RESET	-	Factory, schedule, WiFi and HomeKit reset
FAILSAFE	OFF	0 = OFF, 1 = ON

Wiring Diagrams

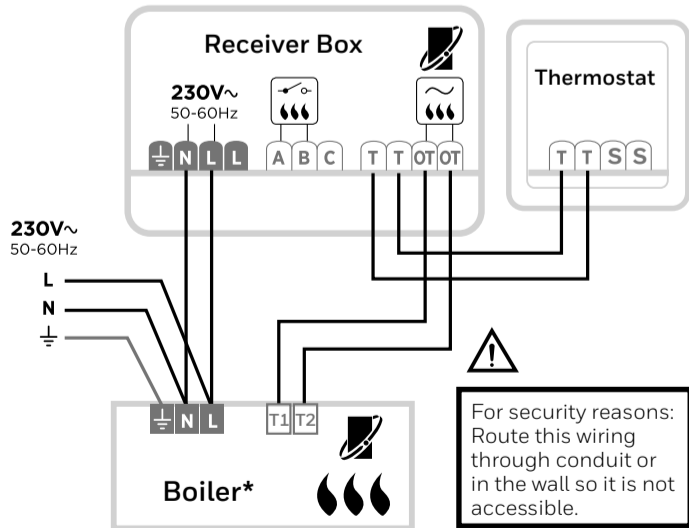
A) Basic 230V boiler



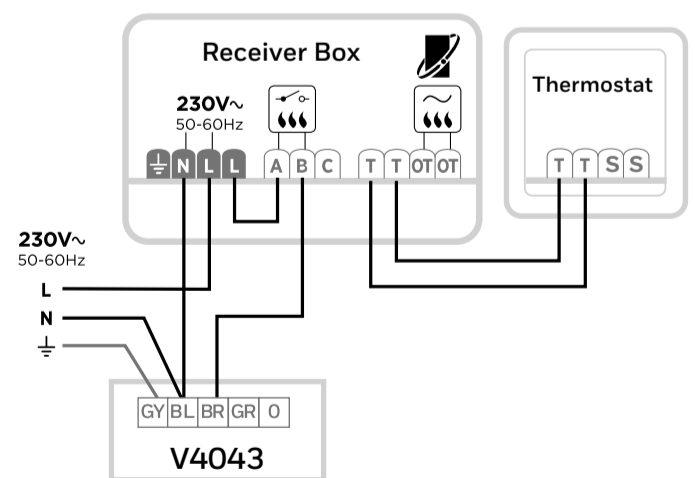
B) Combi boiler



C) OpenTherm boiler



D) Two-port zone valve or S-plan



For other wiring diagrams visit:



<https://hwllhome.co/uk-wiring>

* See boiler specifications for correct terminals