

T4R Thermostat

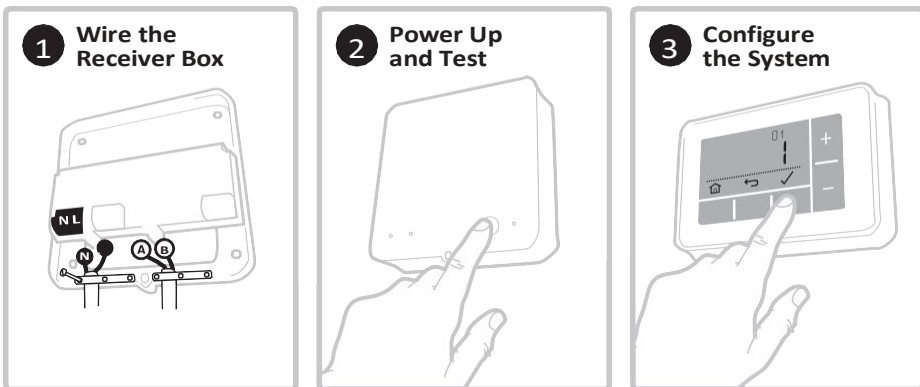
Wireless Programmable Thermostat

EN Quick Start Installation Guide

Compatible with 24-230V on/off & OpenTherm appliances such as gas boilers, combi-boilers and zone valve applications. **Not** compatible with 230V electric heating.



Installation in 3 steps...



Must be installed by a competent person.

To ensure your safety make sure the mains power is switched OFF before accessing wiring.

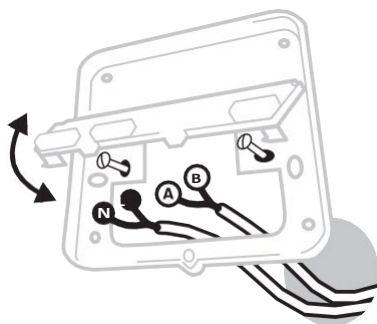
32318057-001

1 Wire the Receiver Box

Find a suitable location near to the boiler, **leaving at least 30cm distance from any metal objects** including metal wallboxes and boiler housing.

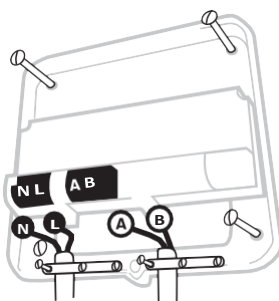
A) Wall box or Rear Wiring

Hinge open the terminal block flap to access the cables and wall box screw holes.



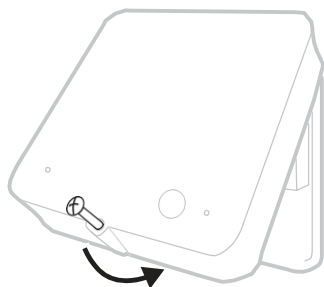
B) Surface Wiring

Use the cable clamps to secure the surface wiring.

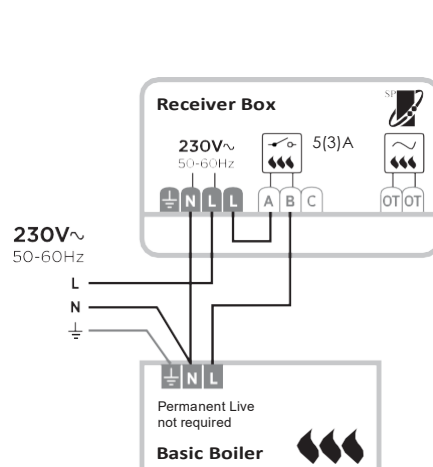


C) Replace the cover

Locate the hinges at the top of the cover and wall plate, close the cover and secure with the screw.



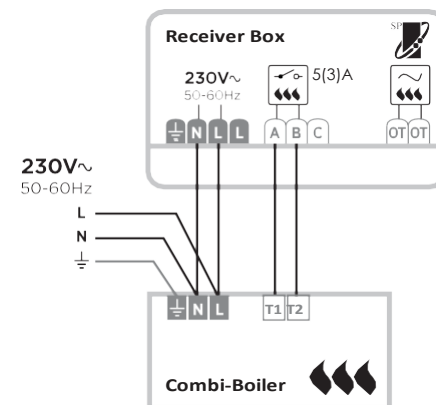
Basic 230V Boiler



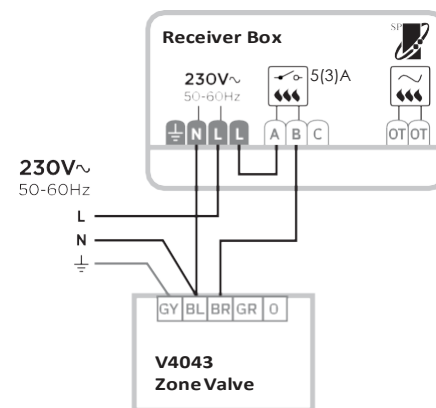
To prevent a short circuit from a loose wire -

- **When using multi-core cables:** Only remove enough outer insulation to allow secure fixing of the cores into the terminal block.
- **When using single core cables:** Secure them together with a cable tie as close as possible to the terminal block.

Combi-Boiler



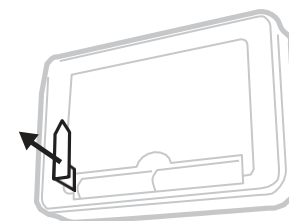
2- Port Zone Valve



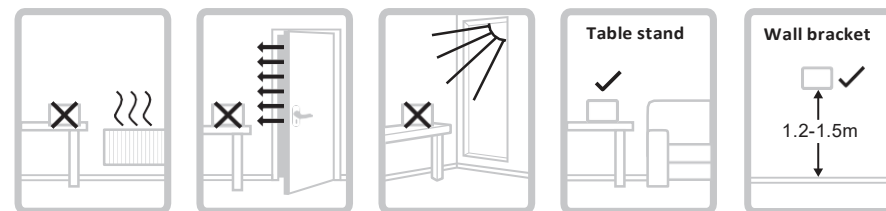
2 Power Up and Test

A) Power Up the Thermostat

Remove the battery tab and clip the thermostat onto the table stand or wall bracket.



Find a suitable location for the thermostat away from draughts, direct sunlight or other heat sources.



B) Power Up the Heating System and Receiver Box

and do a quick functional test of the receiver box to check that it switches the boiler.

The thermostat and receiver box in this pack are pre-bound.

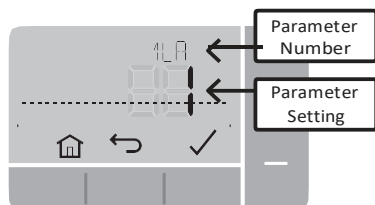
After power up the **LED** should be solid **GREEN**

Press the button **once** to check the boiler switches on - The **button LED** should be solid **YELLOW**. Press again once to switch the boiler off - The **button LED** should go **OFF**.

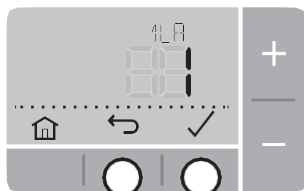
3 Configure the System

Specific settings for the thermostat and heating system can be configured in the advanced menu.

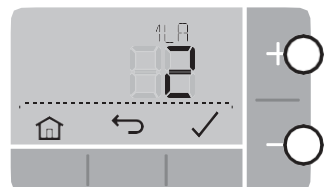
Press and hold and then buttons together until the display changes (approx. 3sec).



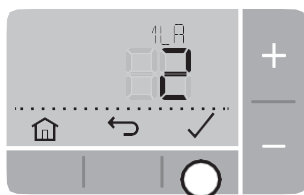
A) Press and buttons to navigate through the parameter list



B) Press and buttons to change a parameter



C) Press button to save the change (or press to cancel the change)



D) Press button to exit advanced menu and save any changes



Parameters

N°	Description	Settings (default in bold)
1	LA Language	1 = EN, 2 = NL, 3 = FR, 4 = DE, 5 = ES, 6 = IT
2	CR Heating Cycle Rate (cph)	3 (oil boiler / thermal actuator) 6 (gas or combi boiler / zone valve) 9 12
3	OT Minimum on time	1 - 5 (mins) (set to 4 mins for oil boiler)
4	LL Lower Temperature Limit	5 - 21 (°C)
5	UL Upper Temperature Limit	21 - 35 (°C)
6	SO Schedule options	1 = 7 day (different schedule each day of the week) 2 = 5 + 2 day (weekday + weekend schedule) 3 = 1 day (same schedule every day)
7	NP Number of periods per day	4 or 6
9	LC Fail Safe mode	0 = Boiler off , 1 = Boiler 20% on / 80% off
10	BL Backlight	0 = Off, 1 = On (only on demand)
11	CL Clock Format	0 = 24 hr , 1 = AM/PM
12	DS Daylight Saving time change	0 = Off, 1 = Auto
13	TO Temperature Display Offset	+/-1.5°C
15	SD Restore Schedule Defaults	0 , 1 = reset
16	FS Restore Factory Settings	0 , 1 = reset

OpenTherm® Compatibility

OpenTherm® compatibility is offered only by the Receiver Box. The Thermostat will control heat demand as normal but will not show OpenTherm® specific boiler data on the display - Refer to the boiler instructions for how to view the boiler data.

To rebind the thermostat and receiver box

The thermostat and receiver box in this pack are pre-bound. Follow these instructions only if binding is required.

To enter the binding menu press and hold and then buttons together until the display changes (approx. 3sec), and follow steps A) to D) above to navigate the binding parameters. Keep at least 1m between devices during binding.

N°	Description	Settings (default in bold)
14A	RF Binding Mode	0 , 1 = Enter bind mode
14B	RF Signal Strength Test	0 , 1 = Perform Signal Test
14C	Delete RF Binding Data	0 , 1 = Delete Bind Data

A) Clear the binding data from the Receiver Box:

Press & hold the reset 'pinhole' button for 3sec.

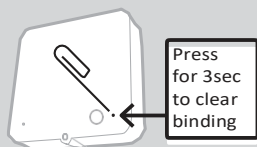
B) Put the Receiver Box into bind mode:

Hold button for 3sec - button lights **ORANGE** for 3sec followed by LED flashing **ORANGE**.

C) Put the Thermostat into bind mode:

Change parameter N° 14 A (RF Binding Mode) to '1' and press

If successful the Receiver Box LED will turn solid **GREEN** and the Thermostat will show



Troubleshooting

What's happening?	What it could mean...	How to fix it...
Thermostat display is blank	Batteries exhausted, installed incorrectly or tab hasn't been removed	Pull thermostat from wall bracket or table stand and check battery installation - replace batteries if necessary
	Battery power critically low	Pull thermostat from wall bracket or table stand and check battery installation - replace batteries if necessary
Display =	Faulty temperature sensor	Replace thermostat or check wiring to remote temperature sensor if fitted
Thermostat shows heat demand but boiler doesn't respond	Boiler (water) already at temperature Faulty wiring connection	Normal behaviour - wait for water temperature to drop Check wiring at thermostat and boiler terminals
Thermostat display shows and Receiver Box LED is flashing RED	Wireless communication with Receiver Box is lost	Move thermostat to a location where wireless communication is reliable
Thermostat display shows and Receiver Box LED is OFF	Thermostat and Receiver Box not bound	Follow the Wireless Binding Instructions
Receiver Box LED is flashing ORANGE	Receiver Box is in bind mode	Wait for bind mode to time out (3min) or bind a Thermostat

Conforms to protection requirements of the following directives:
EMC: 2014/30/EU, LVD: 2014/35/EU and R&TTE: 1995/5/EC
Hereby, Honeywell Home, declares that this Thermostat is in compliance with the essential requirements and other relevant provisions of Directive 2014/53/EU.

ErP: Class V (+3%), (EU) 811/2013, Receiver Category 2WEEE Directive 2012/19/EC
Waste Electrical and Electronic Equipment directive
At the end of the product life dispose of the packaging and product in a corresponding recycling centre. Do not dispose of the unit with the usual domestic refuse. Do not burn the product.



resideo

www.resideo.com

Ademco 1 GmbH
Hardhofweg 40
74821 Mosbach
Phone: +49 1801 466 388
info.de@resideo.com
homecomfort.resideo.com

@2020 Resideo Technologies, Inc.
All rights reserved The Honeywell Home trademark is used under license from Honeywell International Inc. This product is manufactured by Resideo Technologies.