

## Replacement Wiring

If using the ST9400 to replace other Honeywell Home Programmable Thermostats, the equivalent wiring terminations are shown in the tables below.

|                      |   |   |   |   |   |   |  |  |
|----------------------|---|---|---|---|---|---|--|--|
| ST6200/ST6300/ST6400 | N | L | 1 | 2 | 3 | 4 |  |  |
| ST9400               | N | L | 1 | 2 | 3 | 4 |  |  |

|             |   |   |   |   |               |   |   |               |
|-------------|---|---|---|---|---------------|---|---|---------------|
| ST699/ST799 | N | L | 3 | 4 | 5             | 6 | 7 | 8             |
| ST9400      | N | L | 4 | 2 | not connected | 3 | 1 | not connected |

|        |   |   |               |   |   |               |   |   |
|--------|---|---|---------------|---|---|---------------|---|---|
| ST7100 | N | L | 3             | 4 | 5 | 6             | 7 | 8 |
| ST9400 | N | L | not connected | 2 | 4 | not connected | 1 | 3 |

|                         |   |   |   |   |   |  |  |  |
|-------------------------|---|---|---|---|---|--|--|--|
| ST7000A                 | - | L | 2 | 3 | 4 |  |  |  |
| ST9400 (see notes 1, 2) | N | L | 1 | 3 | 4 |  |  |  |

**Notes:** (1) A permanent mains supply must be provided for the ST9400 Programmer.  
(2) ST9400 must be configured as a Mini-Programmer

## Replacing Other Manufacturers' Time Controls

ST9400 Programmable Thermostats will mount directly onto many existing manufacturers' back-plates, without the need for re-wiring. However, they are also supplied complete with a wiring back-plate, should this not be the case.

Refer to Honeywell Home for wiring conversion diagrams. (see Wiring Guide document **EN3H2393 UK01**)

## Completion Checklist for Installation

1. Check unit powers up correctly, and that the display does not remain blank.
2. Set Heating and Hot Water operating modes to **AUTO** and switch Heating and Hot Water on and off using the **OVERRIDE** buttons, to ensure the system is operating correctly.
3. Check the factory-set day, date, and time are correct and adjust if necessary. Refer to the User Guide for details.
4. If required, enter Installer Mode and adjust Installer Parameters to match the lifestyle and needs of the User. Remember to make a note of these parameter changes in the Configuration Data section of the User Guide.
5. Explain the operation of the product to the User and help them to set their Heating and Hot Water programmes. There are 3 built-in profiles that can be used as a basis for typical User programmes.
6. Explain when the User should contact someone to arrange a Service Visit.
7. Write the date of installation, your name and telephone number in the space provided in the User Guide, in the section 'Boiler & System Service Log'
8. Remember to leave the User Guide and Installation Instructions with the User and remind them to keep them in a safe place. This forms part of a Home Information Pack.
9. If you have configured the product as a Mini-Programmer, ensure that you tick the appropriate box on the Contents page of the User Guide, and complete the appropriate Configuration Guide section.

This product and its associated documentation and packaging are protected by various intellectual property rights belonging to Resideo Inc and its subsidiaries and existing under the laws of the UK and other countries. These intellectual and property rights may include patent applications, registered designs, unregistered designs, registered trade marks, unregistered trade marks and copyrights.

Honeywell Home reserves the right to modify this document, product and functionality without notice. This document replaces any previously issued instructions and is only applicable to the product(s) described.

This product has been designed for applications as described within this document. For use outside of the scope as described herein, refer to Honeywell Home for guidance. Honeywell Home cannot be held responsible for misapplication of the product(s) described within this document.

Manufactured for and on behalf of the Environment and Combustion Controls Division of Resideo Technologies Sàrl, ACS-ECC EMEA, Z.A. La Pièce 16, 1180 Rolle, Switzerland by its Authorised Representative Honeywell Inc.

## ST9400A & ST9400C Programmer INSTALLATION INSTRUCTIONS



### Introduction

ST9400 is an Electronic Programmer which provides accurate time control for central heating systems with separate programmes for heating and hot water. ST9400A is a 1-day version and ST9400C is a 7-day version.

ST9400 is suitable for replacing a wide range of Programmable Thermostats on the market, and is a direct replacement for Honeywell Home ST6400 Programmable Thermostats without the need for re-wiring.

ST9400 Programmable Thermostats can be combined with other Honeywell Home controls such as Room Thermostats, Cylinder Thermostats, Wiring Centres and Zone or Diverting Valves to form a fully automatic central heating control system.

### Specification

Power Supply: 230V~, 50...60Hz, 10W  
Switch Action: 2 x SPDT  
Switch Rating: 230V~, 50...60Hz, 3(3)A  
Factory set clock  
Power Reserve: lifetime battery  
Programmes/Settings: permanently stored in NV RAM  
Approvals: Conforms to protection requirements of Directives 2006/95/EC and 2004/108/EC

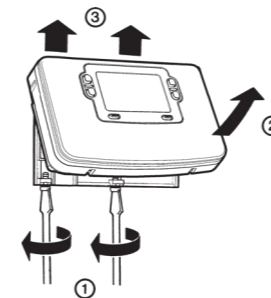
### Mounting

If the ST9400 is replacing an existing ST6400 then the existing wall-plate and wiring may be used, subject to any required electrical checks.

The Programmer should be mounted at a level where the display can be seen clearly, (1.2m from the floor, in compliance with Building Regulations Part M) and the ambient temperature is within the range of 0 to 40°C. The ST9400 is for use in normal domestic environments.

#### CAUTION

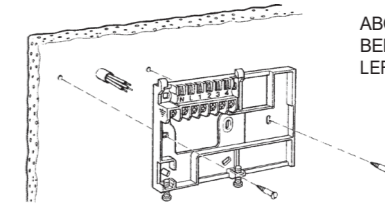
Isolate power supply and make safe before wiring the unit to prevent electric shock and equipment damage. Installation should be carried out by a qualified electrician or competent heating engineer.



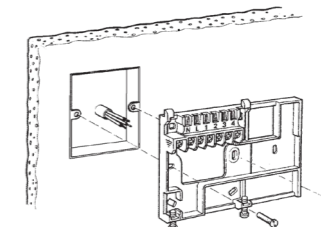
To remove the unit from the wall-plate, slacken the two securing screws at the bottom of the ST9400 and hinge the unit up to separate the two halves.

### Mounting Options

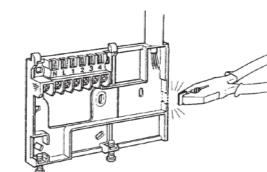
**RECOMMENDED CLEARANCE DISTANCES:**  
ABOVE WALLPLATE: 110mm  
BELOW WALLPLATE: 100mm  
LEFT/RIGHT OF WALLPLATE: 10mm



a. Surface mounting  
concealed wiring



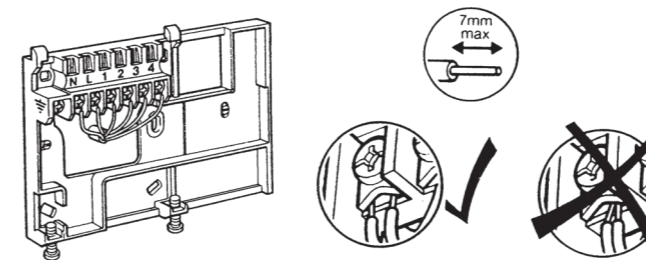
b. Flush switchbox  
Fixing holes are  
spaced to suit BS4662  
requirements



c. Surface mounting with  
surface wiring in  
mini trunking

Ensure the mounting surface is supporting and fully covers the wiring wall-plate.

### Wiring



**ALL WIRING MUST BE IN ACCORDANCE WITH IEE REGULATIONS. THIS UNIT IS FOR FIXED WIRING ONLY.**

A switch, having contact separation of at least 3mm in all poles (formerly Class 'A'), must be incorporated in the fixed wiring as a means of disconnecting the supply.

The unit is a Class II (double insulated) device. A parking terminal is provided for external earth continuity.

The system must be appropriately fused. A fuse rated at no more than 3 Amps should be installed.

The unit has 4 knockouts for surface wiring, care must be taken to ensure that the cable or mini-trunking completely fills the knockout hole without leaving any gaps.

#### EMC compliance considerations

Keep AC mains supply/load cables separate from signal wiring.

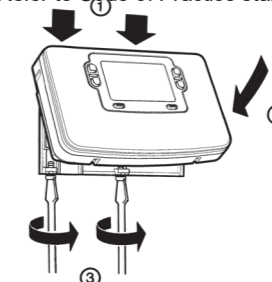
Refer to Code of Practice standards EN61000-5-1 and -2 for guidance.

### Final Assembly

Clip the unit onto the hinges on the top of the wallplate and hinge down into position. Tighten the two securing screws using a screwdriver.

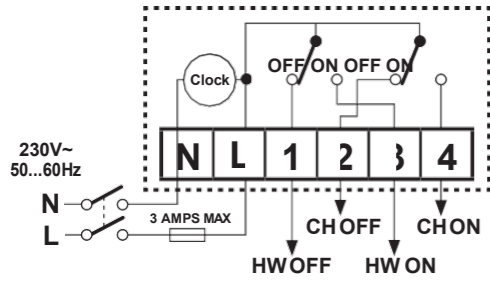
Switch on the power – the unit will now be operating according to the built-in programme. Note : the ST9400 is supplied with a factory set clock for faster installation .

Refer to ST9400 User Guides for programming details.

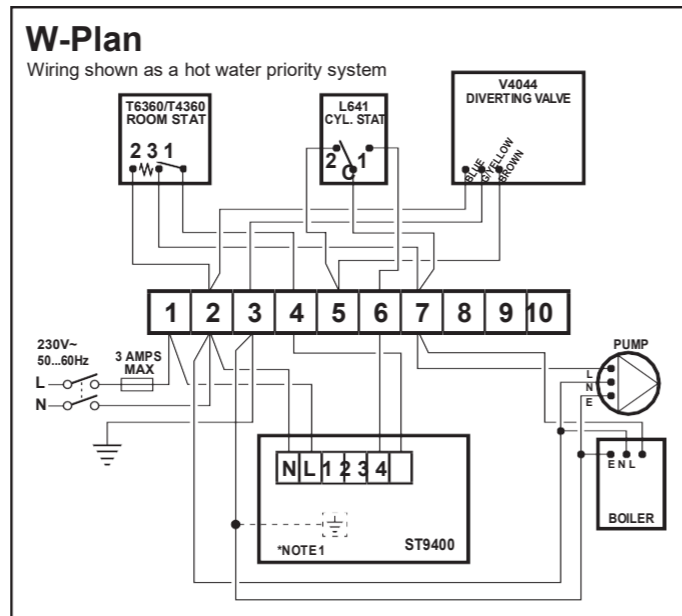
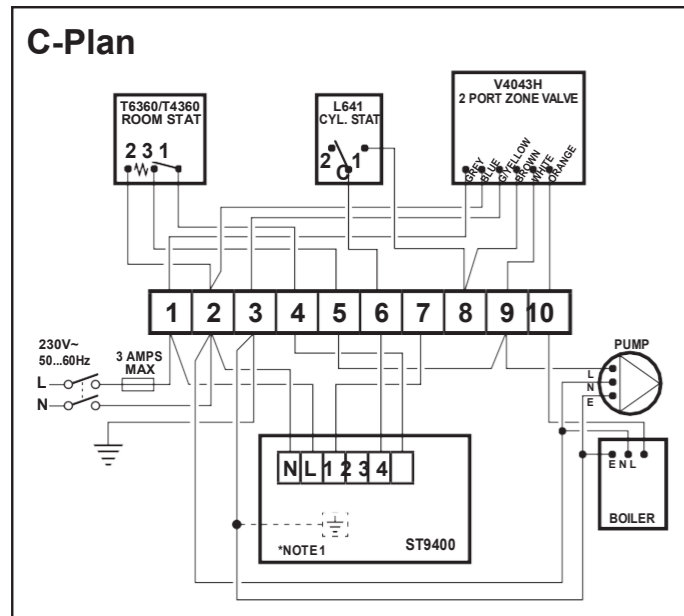
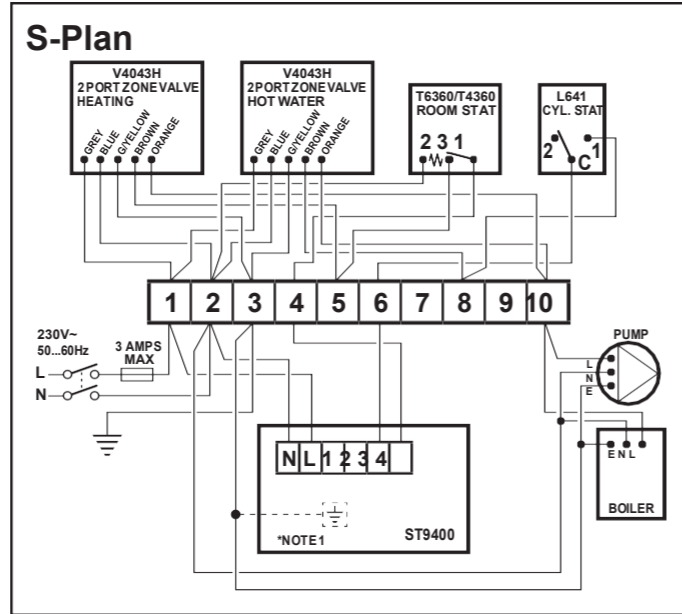
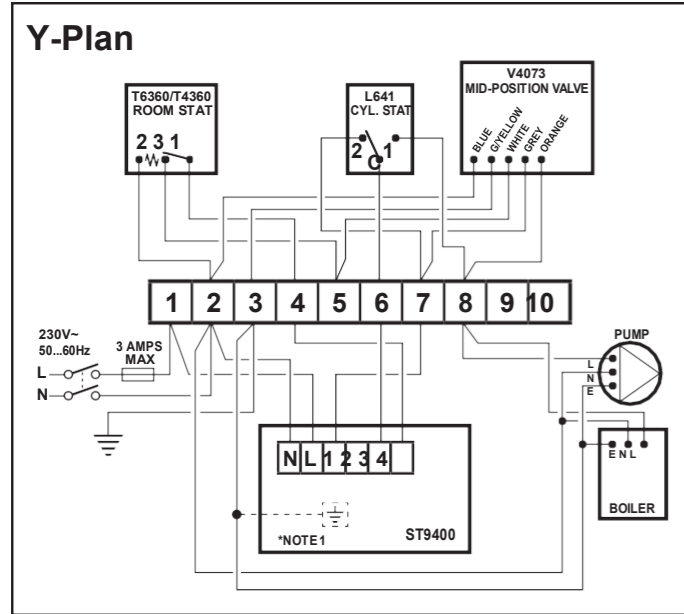


# WIRING CONNECTIONS

## ST9400 Internal Wiring



## Sundial Plan Wiring Diagrams



## Alternative Wiring Connections for other Honeywell Home Room Thermostats

| Y-Plan, S-Plan, and C-Plan Systems                     |   |   |   |   |   |   |   |   |   |    |
|--------------------------------------------------------|---|---|---|---|---|---|---|---|---|----|
| 10-WAY WIRING STRIP                                    | 1 | 2 | 3 | 4 | 5 | 6 | 7 | 8 | 9 | 10 |
| Honeywell Home T6360 ROOM-STAT                         |   | 2 |   | 1 | 3 |   |   |   |   |    |
| Honeywell Home ELECTRONIC THERMOSTAT (BATTERY POWERED) |   |   |   | A | B |   |   |   |   |    |
| Honeywell Home WIRELESS THERMOSTAT (RECEIVER UNIT)*    | L | N |   | A | B |   |   |   |   |    |

| W-Plan System                                          |   |   |   |   |   |   |   |   |   |    |
|--------------------------------------------------------|---|---|---|---|---|---|---|---|---|----|
| 10-WAY WIRING STRIP                                    | 1 | 2 | 3 | 4 | 5 | 6 | 7 | 8 | 9 | 10 |
| Honeywell Home T6360 ROOM-STAT                         |   |   | 2 |   | 1 |   |   |   | 3 |    |
| Honeywell Home ELECTRONIC THERMOSTAT (BATTERY POWERED) |   |   |   |   | A |   |   |   | B |    |
| Honeywell Home WIRELESS THERMOSTAT (RECEIVER UNIT)*    | L | N |   |   | A |   |   |   | B |    |

\* Wireless thermostat receiver unit MUST have permanent mains power from fused spur to operate correctly

## Notes

- The ST9400 is a Class II (double insulated) device. A parking terminal is provided for earth wiring continuity, if required.
- In the Sundial S-Plan, W-Plan, and Y-Plan wiring diagrams, connections are shown to basic boilers only. For wiring connections to Pump over-run boilers refer to Boiler manufacturers' instructions or to Honeywell Home for assistance.
- It is recommended that gravity circulation hot water systems are fitted with a suitable hot water control valve as shown in the Sundial C-Plan system. For systems installed without this valve, ST9400 can be configured as a Mini-Programmer. This is done within the Installer Mode (see page 3 for details). Refer to Honeywell Home for details of suitable wiring schematics.

# ADDITIONAL PRODUCT FEATURES

## Installer Mode

The ST9400 has a special Installer Mode where some features can be adjusted to suit user lifestyle or preferences – these are called installer Parameters, and are listed in the table below, along with a description of the options that are possible.

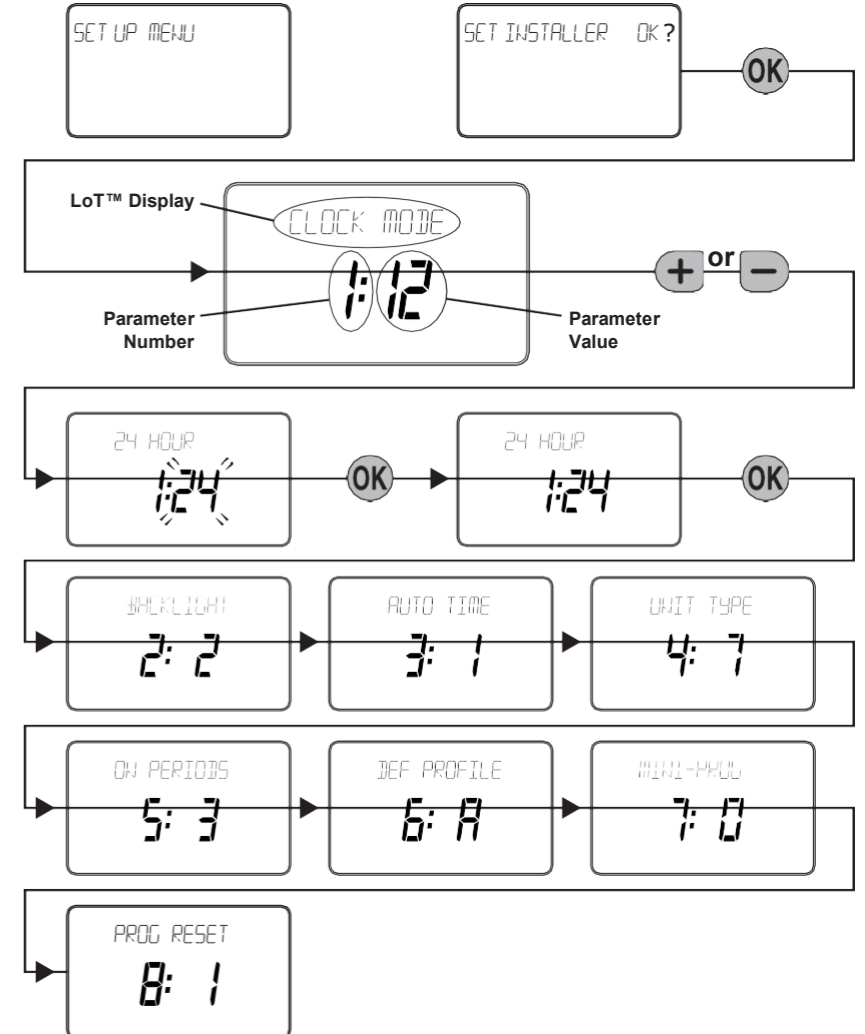
| INSTALLER PARAMETER                                                     | Parameter Number | LoT™ Display Description | Default Value                      | Range of Values | Description [LoT™ Display Description]                                                             |
|-------------------------------------------------------------------------|------------------|--------------------------|------------------------------------|-----------------|----------------------------------------------------------------------------------------------------|
| 24hr or am/pm clock display                                             | 1                | CLOCK MODE               | 12                                 | 12, 24          | 12 = am/pm display, [AM-PM]<br>24 = 24hr display [24 HOUR]                                         |
| Configure backlight operation (backlight consumes no additional energy) | 2                | BACKLIGHT                | 2                                  | 0, 1, 2         | 0 = off, [NO B-LIGHT]<br>1 = on if button pressed, [B-L DELAY]<br>2 = on continuously [B-LIGHT ON] |
| Enable/disable auto time change                                         | 3                | AUTO TIME                | 1                                  | 0, 1            | 0 = disabled, [NO CHANGE]<br>1 = enabled [TIME CHANGE]                                             |
| * 1-day or 5/2-day or 7-day operation                                   | 4                | UNIT TYPE                | 7                                  | 1, 5, 7         | 1 = 1-day operation, [1-DAY]<br>5 = 5/2-day operation, [5-2 DAY]<br>7 = 7-day operation [7-DAY]    |
| Number of ON/OFFs per day                                               | 5                | ON PERIODS               | 2 (for ST9400A)<br>3 (for ST9400C) | 2, 3            | 2 = 2 on/off per day, [2 PER DAY]<br>3 = 3 on/off per day [3 PER DAY]                              |
| Select default time programme                                           | 6                | DEF PROFILE              | A                                  | A, b, C         | A = standard, [PROFILE A]<br>b = at home, [PROFILE B]<br>C = economy [PROFILE C]                   |
| Configure Mini-Programmer                                               | 7                | MINI-PROG                | 0                                  | 0, 1            | 0 = standard programmer, [NO M-PROG]<br>1 = Mini-Programmer [M-PROG ON]                            |
| ** Reset all parameters                                                 | 8                | PROG RESET               | 1                                  | 0, 1            | 0 = do not reset [RESET OFF]<br>1 = default parameters [RESET ON]                                  |

\* this parameter is NOT available on ST9400A, which is 1-day operation only.

\*\* this parameter by default has a value of 1, unless you change any other parameter, when it will change to 0. Set it to 1 to reset all parameters back to defaults.

## To Enter Installer Mode:

- Ensure the slider is in the RUN position, then press and hold the and buttons together for 8 seconds. Ignore the 'NOT VALID' that is displayed for a few seconds. The message 'SET UP MENU' will show briefly, followed by 'SET INSTALLER OK ?'
- Press the button to take you into the Installer Mode Parameter Menu.
- Parameter 1 is now available to change. This is to allow you to change the clock format from 12 hour AM/PM to 24 hour. At every step, the LoT™ Display will inform you what the parameter means and what option you have selected. The parameter number is shown on the display separated by a colon from the parameter value.
- You can change the parameter value by pressing the or buttons. At this point the description in the LoT™ Display will change and the parameter value will flash. If you press the value will stop flashing and will be saved for use.
- Press to move to the next parameter available for editing. The parameter number will change accordingly.
- Keep pressing step around the list of parameters, and use or buttons to change the parameter value.
- Any parameter changes that have been confirmed with the button will be saved and used.



## To Exit Installer Mode:

You can exit Installer Mode at any time by moving the slider to the next position and then back again to RUN.

**Note:** Installer Mode will exit automatically after 10 minutes if the slider is not moved.