



User Manual

TF243 Series Digital Thermostat

Quick Start Guide

Thermostat Appearance



Operating Your Thermostat

Power On/Off Time-off

- Press **1** to switch on/off thermostat. When in off mode, OFF icon and indoor temperature will display.
- Press **2** could set the automatical turn off time when the thermostat is working. Press **1** and hold for more than 3s. After timer icon flashes, press **3** or **4** to set turn off time, then press **1** button to exit.

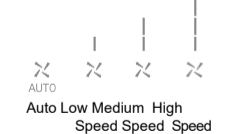
Temperature Setting

In **3** or **4** mode, press **3** or **4** to set the target room temperature.

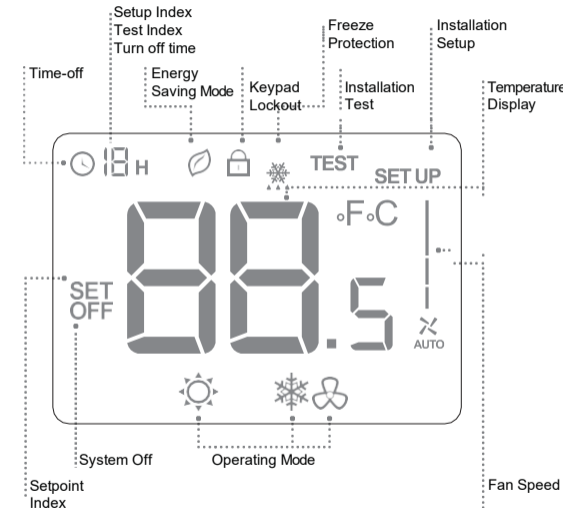
Operating Mode



Fan Speed



LCD Display



Trouble Shooting Tips

If....	Then....
3 Doesn't work	<ul style="list-style-type: none"> Set the mode to 3 (heating mode) by press 3 Make sure the temperature is set above the room temperature Wait 5 minutes for the system to respond
4 Doesn't work	<ul style="list-style-type: none"> Set the mode to 4 (cooling mode) by press 4 Make sure the temperature is set below the room temperature Wait 5 minutes for the system to respond
1 Doesn't work	<ul style="list-style-type: none"> Make sure keypad is unlocked Check that the thermostat is on
3/4 Doesn't work	<ul style="list-style-type: none"> Make sure keypad is unlocked Make sure the system isn't in 5 mode Check that the thermostat is on
The system turns off automatically	<ul style="list-style-type: none"> Make sure the memorized time off value isn't set to "0"
Time-off doesn't work	<ul style="list-style-type: none"> Make sure the button is unlocked Make sure the turn off time is not 0 Make sure the thermostat is not in ISU Make sure the thermostat is not off

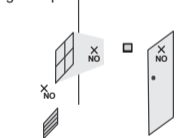
Installation Guide

- Must be installed by a trained and experienced installer**
- Read instruction carefully. Failure to follow instruction will damage the product or cause a hazardous condition.
 - Check the ratings in this booklet to verify that this product is suitable for your application.
 - Always test for proper operation after installation.

Caution: ELECTRICAL HAZARD can cause electrical shock or equipment damage. Disconnect power before installation, reparation and detachment.
The manual interpretation is owned by Honeywell Home Co.,Ltd, we retain the rights that improve the products described in this manual without prior notice.

Installation Tips

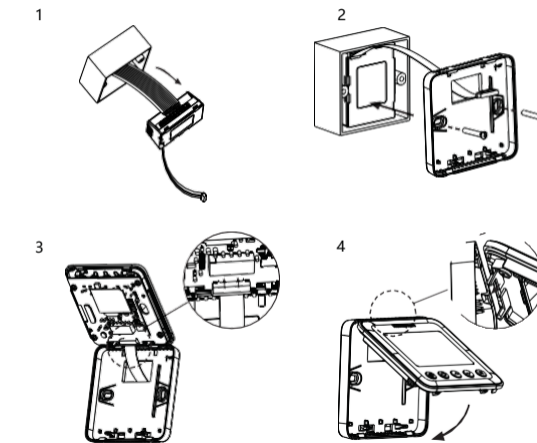
TF243 Series is designed for standard 75x75x50mm wall mounting box installation. Install the thermostat about 5 feet (1.5m) above the floor in an area with good air circulation at average temperature.



- Do not install in locations where the thermostat can be affected by:**
- Dead spots behind doors and in corners
 - Hot or cold air from ducts
 - Sunlight or radiant heat from appliances
 - Concealed pipes or chimneys
 - The temperature of mounting box and wall should be in the operating temperature range.

Wiring and Installation

- The screw must be locked tightly to avoid wire break off from the terminal.
- The wire should not be tangled and stucked between front case assembly and back case.





resideo

www.resideo.com

Ademco 1 GmbH
Hardhofweg 40
74821 Mosbach
Phone: +49 1801 466 388
info.de@resideo.com
homecomfort.resideo.com

@2020 Resideo Technologies, Inc. All rights reserved. The Honeywell Home trademark is used under license from Honeywell International Inc. This product is manufactured by Resideo Technologies, Inc and its affiliates.

Honeywell Home

32322462-001

Terminal Designations

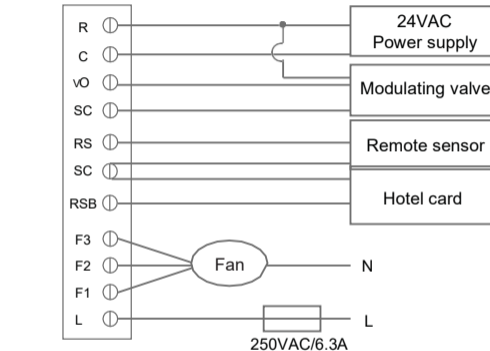
Terminal	Description
R	24VAC operating voltage
C	Common GND
vO	0-10V Modulating signal output for valve
SC	Ground for remote sensor/remote setback/valve
RS	Remote sensor input
SC	Ground for remote sensor/remote setback/valve
RSB	Remote setback input
F3	High speed fan output
F2	Medium speed fan output
F1	Low speed fan output
L	Live wire

* Input rating: 24VAC(+10% , -10%) 50/60Hz
220/230VAC(+10% , -10%) 50/60Hz

* The vO terminal RL>600 ohms

Two pipe application

Wiring Diagram



Valve type: Honeywell Home VC7931 Series



Warning

* The 24VAC power supply should meet Class2 SELV and less than 100VA

* A FUSE or BREAKER is necessary before L terminal.

Installation Setup

Enter or Exit Installation Setup Mode

ISU Code	Description	Possible Options
1	System Type	0 Heat only 1 Cool only 2 Two pipes heating/cooling (Default)
2	Remote Sensor	0 Onboard sensor (Default) 1 Remote sensor (NTC20K)
3	Temperature Scale	0 °F 1 °C (Default)
4	Fan Control Type	0 Auto only Auto has fan ramping algorithm 1 Manual only (3 speed: Low->Med->High-> Low) 2 User can choose Auto or Manual (Default) (Low->Med->High-> Auto-> Low)
8	Display Temperature Adjustment	-2 °C- 2 °C, step 0.5 °C, Default 0 °C (-4 °F- 4 °F, step 1 °F, Default 0 °F)

ISU Code	Description	Possible Options
9	Temperature Display Mode	0 Display room temperature (Default) 1 Display setpoint
10	Heating Range Stops	10-32 °C Default 32 °C (50-90°F Default 90 °F)
11	Cooling Range Stops	10-32°C Default 10 °C (50-90°F Default 50 °F)
12	Keypad Lockout	0 All keys are available (Default) 1 System button locked out 2 Fan and System buttons locked out 3 All buttons locked out except power button 4 All buttons are locked
13	Remote Setback Enable Method	0 Hotel card NO 1 Hotel card NC 2 Button (Default)
14	Remote Setback Heating Setpoint	Range 10-21°C Default : 18 °C (Range 50-70°F Default : 64 °F)

ISU Code	Description	Possible Options
15	Remote Setback Cooling Setpoint	Range 22-32°C Default : 26 °C (Range 72-90 °F Default : 79 °F)
16	Freeze Protection	0 Disabled 1 Enabled (Default)
17	Power Recovery Status	0 OFF 1 Previous status (Default)
19	Fan Mode In ES Mode	0 Run as Auto fan speed when ISU_4=2 (Default) 1 Run as Low fan speed when ISU_4=2