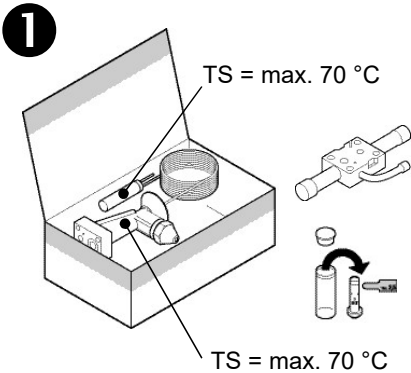
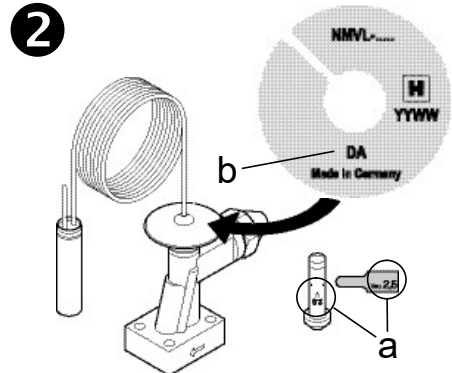


## NMVL

Einbau-Anleitung • Installation instructions • Instructions de montage  
Istruzioni per il montaggio • Instrucciones de instalación



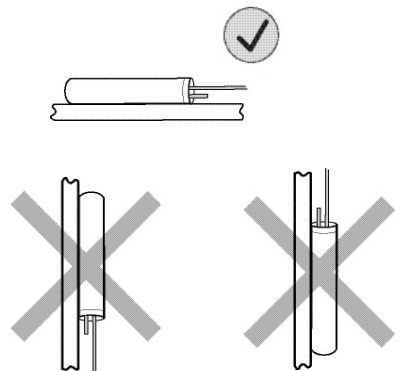
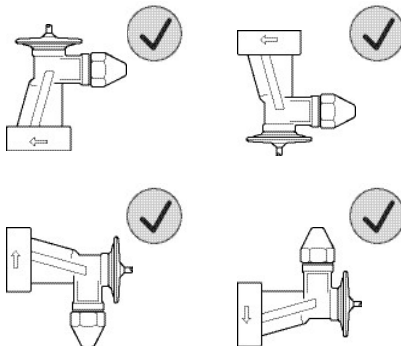
PS = max. 29 bar  
P<sub>test</sub> = max. 32 bar



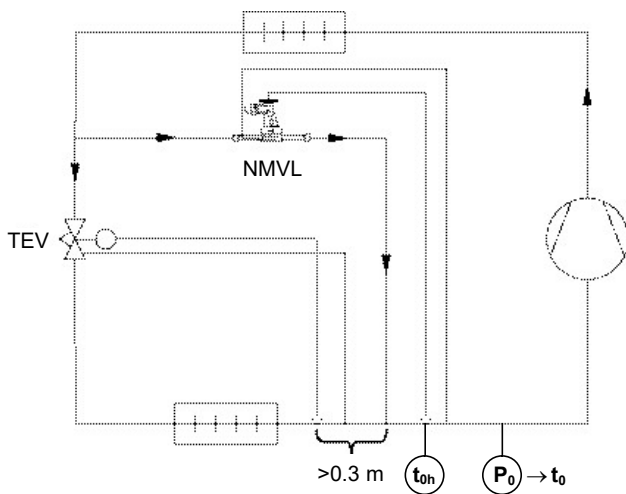
- a) 0.3 - 4.75  
b) DA, TA, LB

	$\Delta t_{on, stat}$				
	R134a	R22	R404A	R407C	R507
DA	-	15 K	21 K	12 K	21 K
TA	15 K	30 K	35 K	26 K	35 K
LB	30 K	45 K	-	40 K	-

**3** EN 378 !

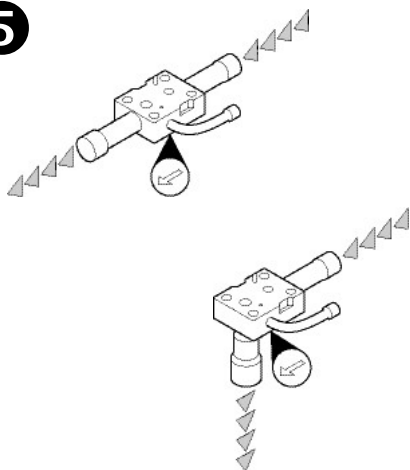


4



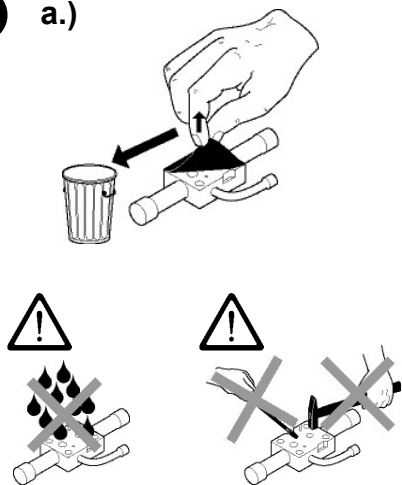
$\Delta t_{oh} = t_{oh} - t_0$   
 $\Delta t_{oh} \neq ok \Rightarrow \text{⑩}$

5



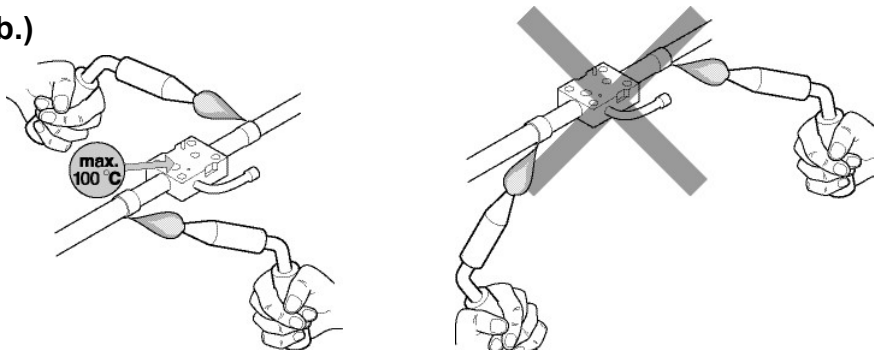
6

a.)

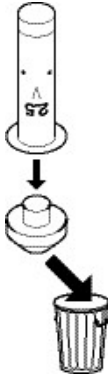


6

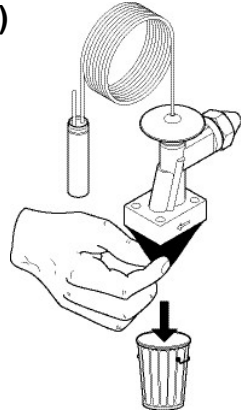
b.)



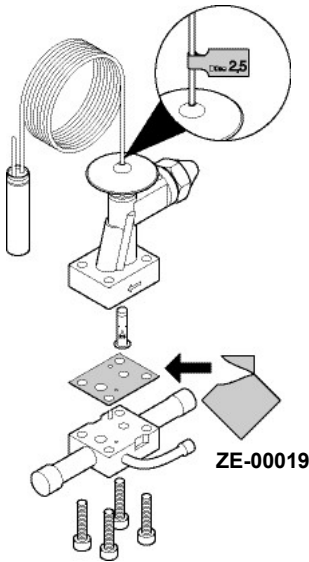
**7** a.)



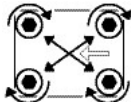
**7** b.)



**7** c.)

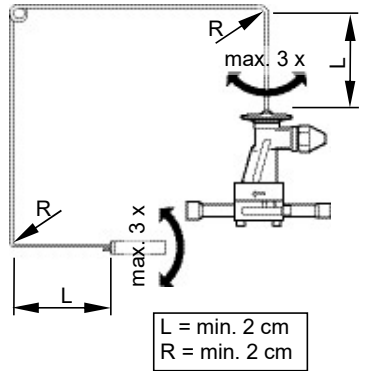


12 Nm 12 Nm

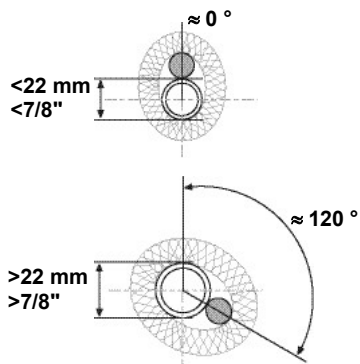
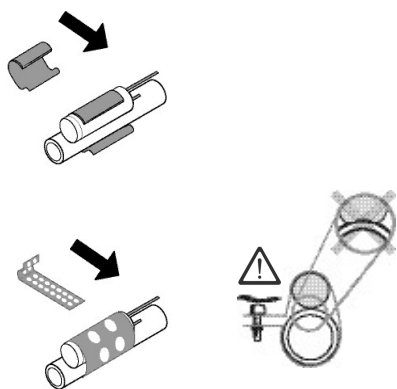


12 Nm 12 Nm

**8**



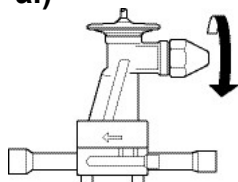
9



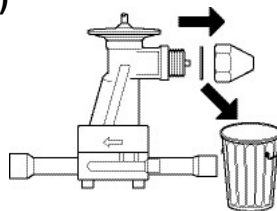
10

$\Delta t_{0h} \neq \text{ok}$

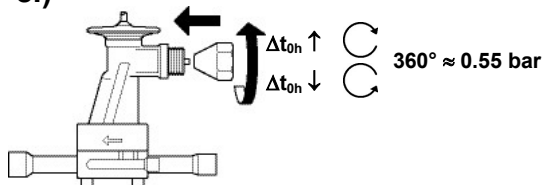
a.)



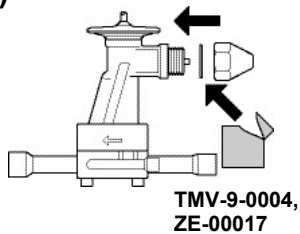
b.)



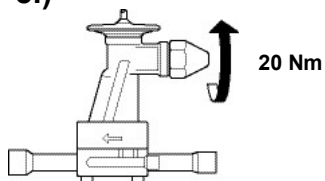
c.)



d.)

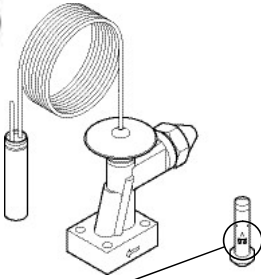


e.)



f.)



**11**

	P [kW]				
	R134a	R22	R404A	R407C	R507
<b>0.3</b>	0.36	0.52	0.36	0.50	0.36
<b>0.5</b>	0.69	0.99	0.68	0.95	0.69
<b>0.7</b>	0.96	1.4	0.97	1.3	0.98
<b>1.0</b>	1.4	2.0	1.4	1.9	1.4
<b>1.5</b>	2.2	3.2	2.2	3.1	2.3
<b>2.0</b>	2.9	4.0	2.8	3.9	2.9
<b>2.5</b>	4.0	5.8	4.1	5.6	4.1
<b>3.0</b>	6.6	9.3	6.5	8.9	6.6
<b>3.5</b>	8.7	12.2	8.6	11.7	8.7
<b>4.5</b>	11.8	17.0	12.0	16.4	12.1
<b>4.75</b>	15.9	22.4	15.8	21.6	15.9
<b>t<sub>0</sub></b>	+4 °C	+4 °C	+4 °C	+4 °C	+4 °C
<b>t<sub>c</sub></b>	+38 °C	+38 °C	+38 °C	+38 °C	+38 °C
<b>Δt<sub>c2u</sub></b>	1 K	1 K	1 K	1 K	1 K

---

# **resideo**

Resideo Pittway Sàrl

Z.A. La Pièce 4

1180 Rolle

Switzerland