

resideo

MA, MD, MS, MC



MA



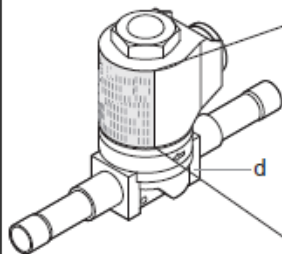
MS



MD



MC



1025
 MC 102-227
 230V AC 50/60Hz 13W
 100%ED IP 65
 Max. Press. PS: 35bar
 Med.Temp: -45/+125°C
 MC-00005 **CE**

- a) U, f, P
- b) PS
- c) t_{min} / t_{max}
- d) ⇒ **1**

MD; MS; MA

PS = max. 35 bar
 P_{test} = max. 50 bar

MA042

PS = max. 30 bar
 P_{test} = max. 42.6 bar

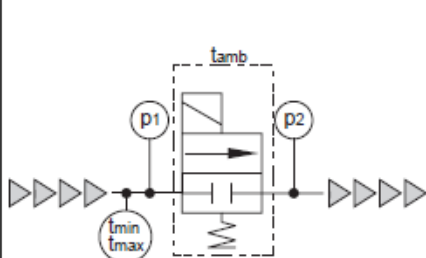
$$\Delta U_{AC} = \pm 10 \%$$

$$\Delta U_{DC} = + 10 \% / - 5 \%$$

§ EN378



HFC (HFKW)
 CFC (FCKW)
 HCFC (HFCKW)



$$t_{min} = -45^{\circ}\text{C}$$

$$t_{max} = +125^{\circ}\text{C}$$

$$t_{amb} = -40^{\circ}\text{C} \dots +80^{\circ}\text{C}$$

$$\Delta p_{min} = p_1 - p_2 \Rightarrow \text{MS} = 0.05 \text{ bar}$$

$$\text{MA, MD} = 0 \text{ bar}$$

$$\Delta p_{max} = p_1 - p_2 \Rightarrow \text{MS} = 2 \text{ bar}$$

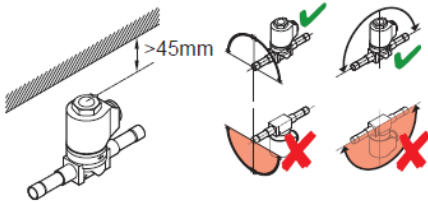
$$\text{MOPD (AC)} = p_1 - p_2 \Rightarrow \text{MS} = 30 \text{ bar}$$

$$\text{MA, MD} = 25 \text{ bar}$$

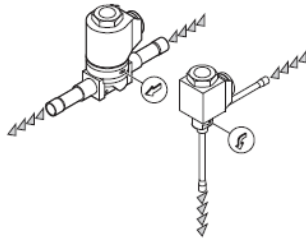
$$\text{MOPD (DC)} = p_1 - p_2 \Rightarrow \text{MS, MA, MD} = 21 \text{ bar}$$



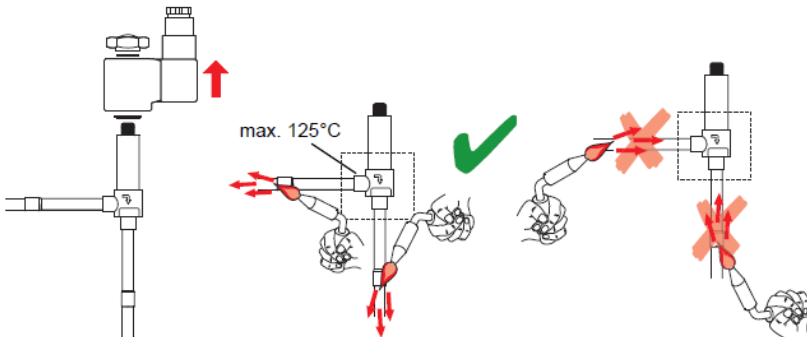
1



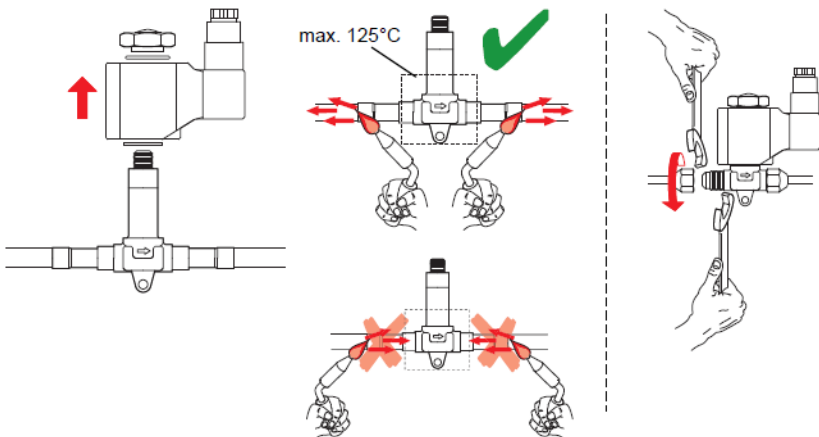
2



3 MA

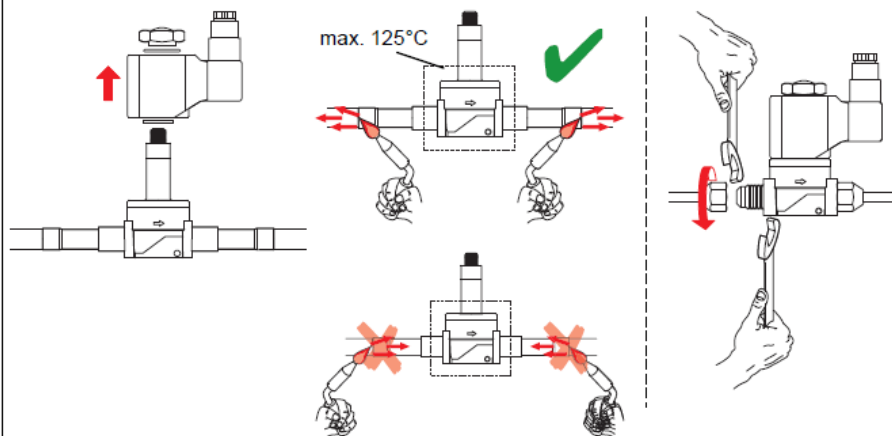


3 MD

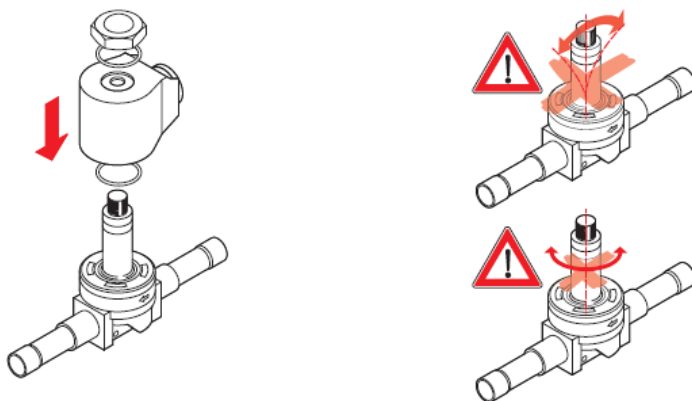




3 MS

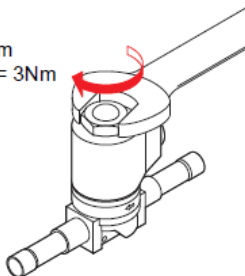


4

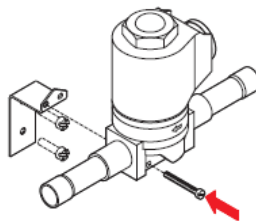


5

MS = 6Nm
MA, MD = 3Nm

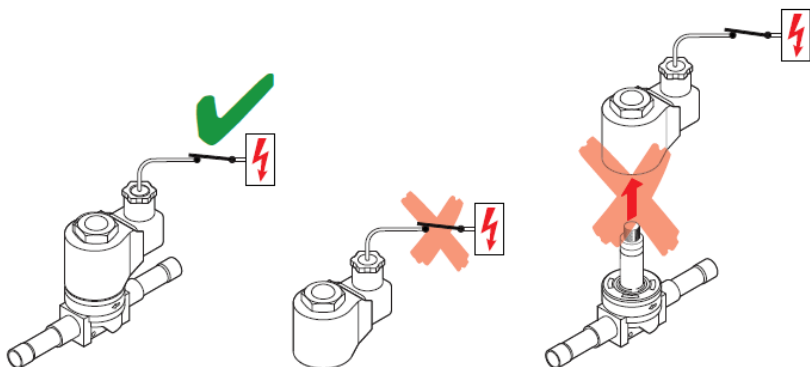
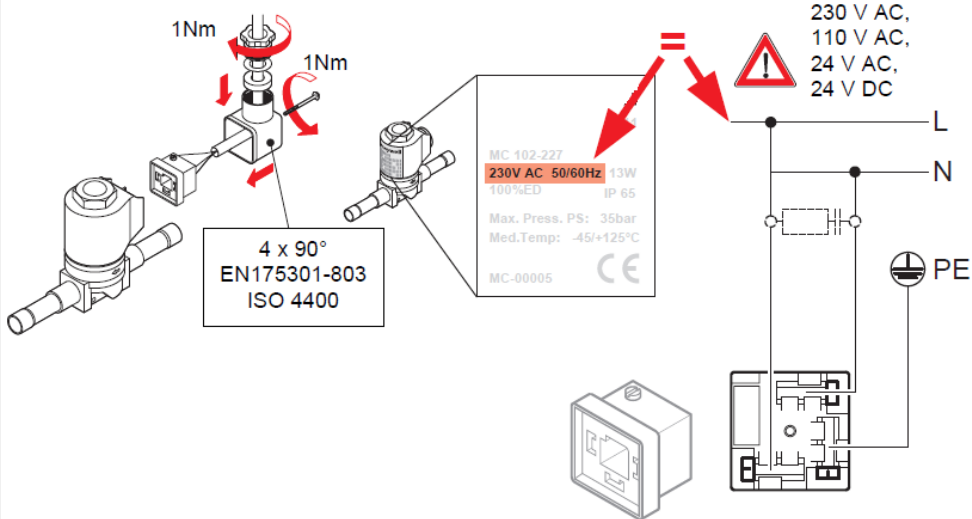


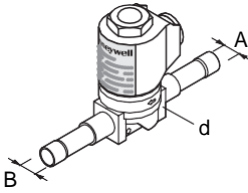
6





7





d	k _v [m ³ /h]	A x B
MA 042MMS	0.12	6 x 6 mm ODF
MA 042S	0.12	1/4" x 1/4" ODF
MA 062MMS	0.17	6 x 6 mm ODF
MA 062S	0.17	1/4" x 1/4" ODF
MD 062	0.17	7/16" x 7/16" UNF
MD 062MMS	0.17	6 x 6 mm ODF
MD 062S	0.17	1/4" x 1/4" ODF
MD 102	0.22	7/16" x 7/16" UNF
MD 102MMS	0.22	6 x 6 mm ODF
MD 102S	0.22	1/4" x 1/4" ODF
MD 103	0.23	5/8" x 5/8" UNF
MD 103MMS	0.23	10 x 10 mm ODF
MD 103S	0.23	3/8" x 3/8" ODF
MS 103	0.90	5/8" x 5/8" UNF
MS 103MMS	0.90	10 x 10 mm ODF
MS 103S	0.90	3/8" x 3/8" ODF
MS 104MMS	0.90	12 x 12 mm ODF
MS 104S	0.90	1/2" x 1/2" ODF
MS 124	1.60	3/4" x 3/4" UNF
MS 124MMS	1.60	12 x 12 mm ODF
MS 124S	1.60	1/2" x 1/2" ODF
MS 125S	1.60	16 x 16 mm ODF 5/8" x 5/8" ODF
MS 165	2.00	7/8" x 7/8" UNF
MS 165S	2.00	16 x 16 mm ODF 5/8" x 5/8" ODF
MS 167S	2.00	22 x 22 mm ODF 7/8" x 7/8" ODF
MS 227S	4.00	22 x 22 mm ODF 7/8" x 7/8" ODF

resideo

Resideo Pittway Sàrl

Z.A. La Pièce 4

1180 Rolle

Switzerland