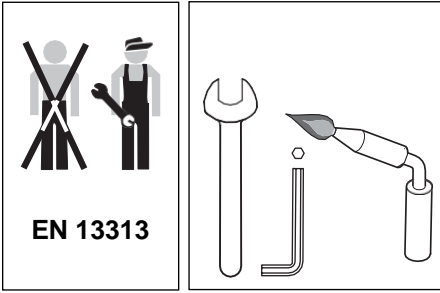


resideo

TLEX, TOEX, TBEX TLESX, TOESX, TBESX



EN 13313



TLEX 4,75 - 7



TLEX 8 - 11



TOEX



TBEX



TLESX



TOESX



TBESX



PS ⇒

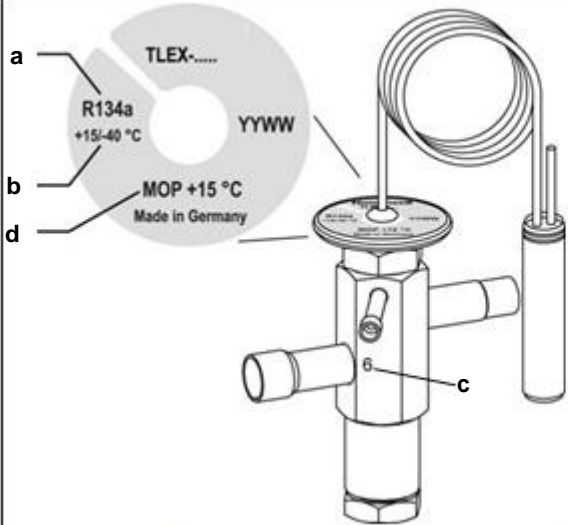
PF ⇒

TS = max. 140°C (gas charge - MOP)

max. 70°C (liquid charge - F)

⊗_{oh, stat} ≈ 3.5 K

§ EN 378
EN 13313

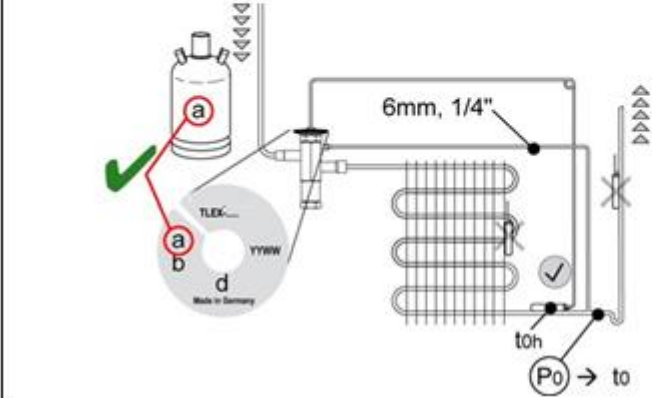
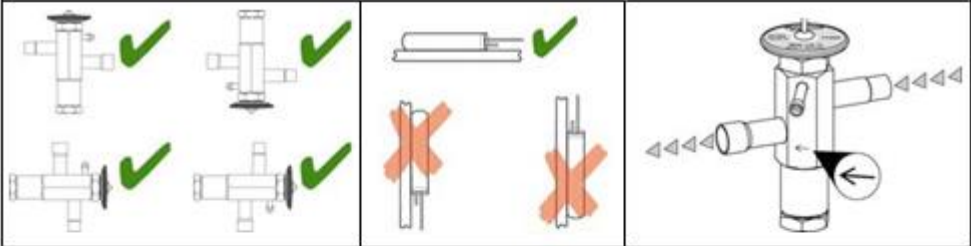


a) R22, R134a, R227,
R404A, R407C,
R410A

b) $t_{0, \max} / t_{0, \min}$

c) 4.75...11 ⇒

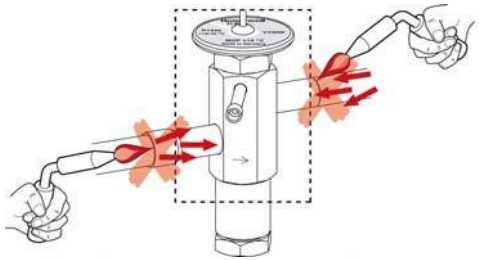
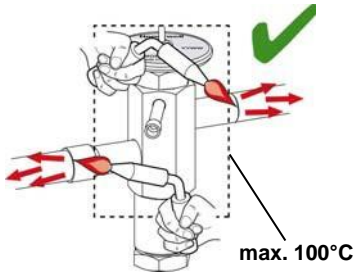
d) MOP: Gas Charge
F: Liquid Charge



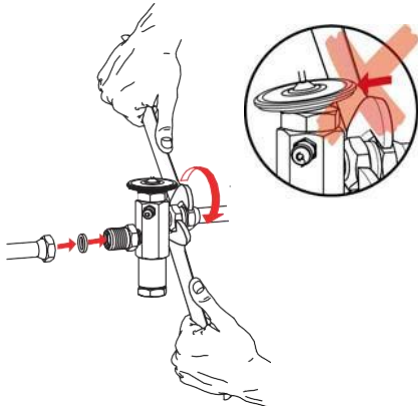
⊗ $t_{0h} = t_{0h} - t_0$
⊗ $t_{0h} \neq \text{ok}$



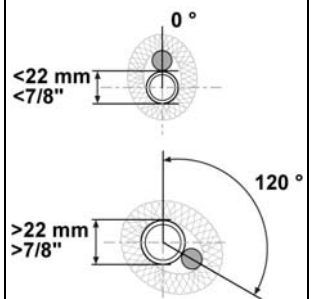
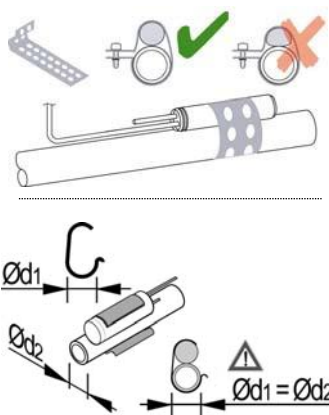
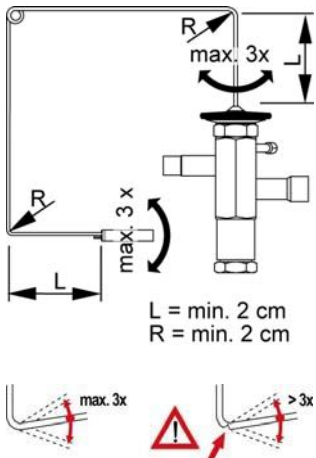
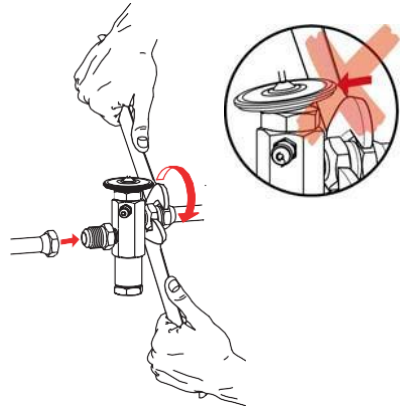
TLEX, TLESX



TOEX, TOESX

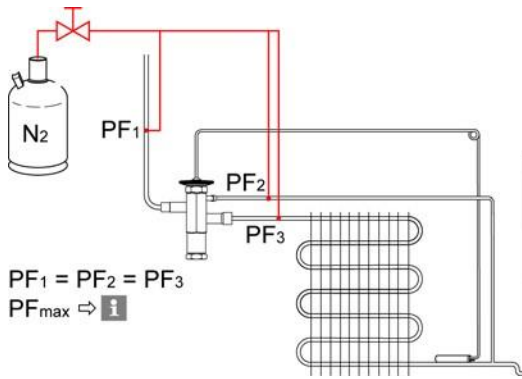


TBEX, TBESX

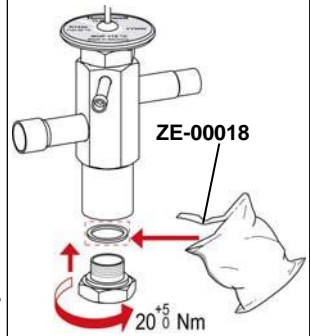
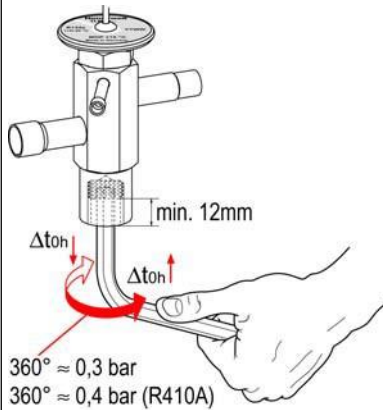
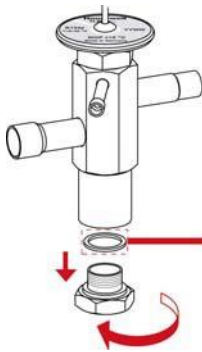




TLEX, TOEX, TBEX



$\otimes_{toh} \neq ok$



$\Delta_{toh} > 0$



C	Q ₀ [kW]					
	R22	R134a	R227	R404A	R407C	R410A
4.75	22.4	15.9	8.7	15.8	21.6	26.8
5	29.1	20.0	11.3	20.5	28.0	34.8
6	42.4	27.6	16.4	29.8	40.8	50.8
7	54.5	35.3	21.1	38.3	52.5	65.3
8	64.1	43.3	24.9	45.1	61.8	76.9
10	75.1	51.0	29.1	52.8	72.3	90.0
11	95.8	65.0	37.0	67.4	92.3	115

t ₀	+4 °C	+4 °C	+10 °C	+4 °C	+4 °C	+4 °C
t _c	38 °C	38 °C	+50 °C	38 °C	38 °C	38 °C
©t _{c2u}	1 K	1 K	1 K	1 K	1 K	1 K

a	b	d	PS	PF
			[bar(a)]	[bar(a)]
R22	+15 °C ... -45 °C	MOP +15 °C	36	39.6
	+10 °C ... -45 °C	MOP +10 °C	36	39.6
R134a	+20 °C ... -40 °C	MOP +20 °C	34	37.4
	+15 °C ... -40 °C	MOP +15 °C	34	37.4
	+10 °C ... -40 °C	MOP +10 °C	34	37.4
R227	+40 °C ... -10 °C	F	29	31.9

a	b	d	PS	PF
			[bar(a)]	[bar(a)]
R404A	+10 °C ... -50 °C	MOP +10 °C	36	39.6
	±0 °C ... -50 °C	MOP ±0 °C	36	39.6
R407C	+15 °C ... -30 °C	MOP +15 °C	36	39.6
	+10 °C ... -30 °C	MOP +10 °C	36	39.6
R410A	+15 °C ... -50 °C	MOP +15 °C	40	44

resideo

Resideo Pittway Sàrl

Z.A. La Pièce 4

1180 Rolle

Switzerland