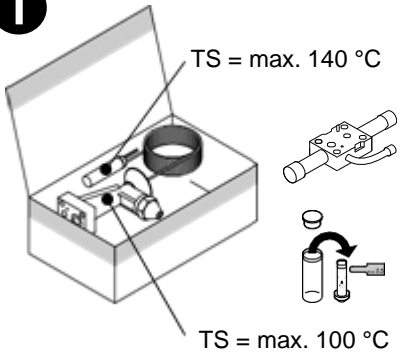


TMVL

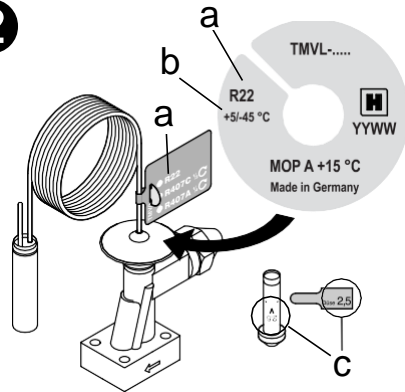
Einbau-Anleitung • Installation instructions • Instructions de montage
Istruzioni per il montaggio • Instrucciones de instalación

1



PS = max. 29 bar
P_{test} = max. 32 bar
 $\Delta t_{oh, stat} \approx 3 K$

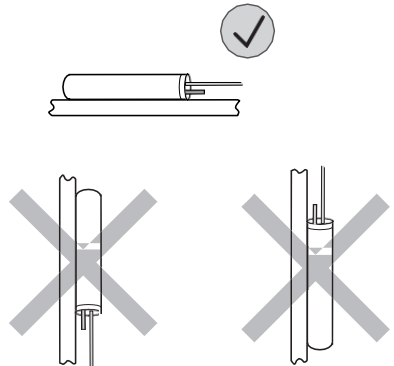
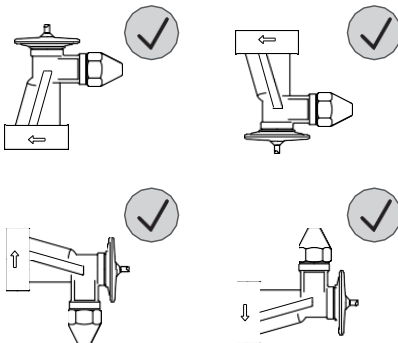
2

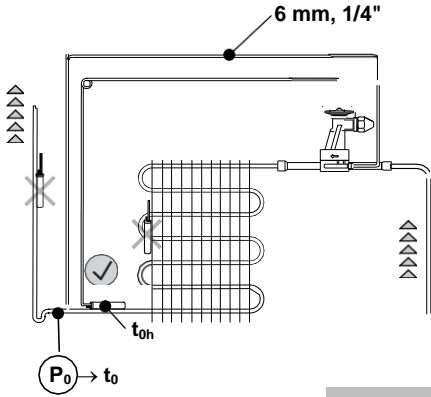
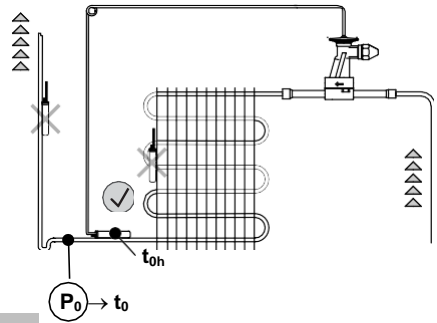


- a) **R22, R407C, R407A**
R134a, R401A, R12
R404A, R507, R402A, R407B, R502
R124
R227
- b) $t_{0, max} / t_{0, min}$
- c) 0.3 - 4.5 => **12**

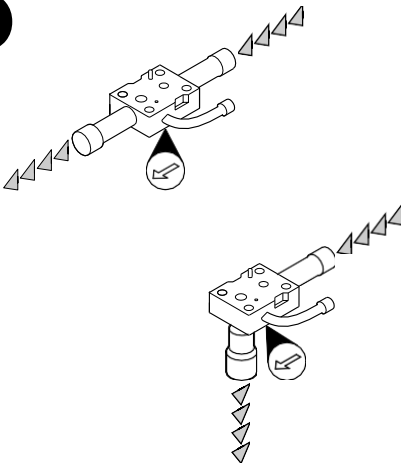
3

§ **EN 378 !**

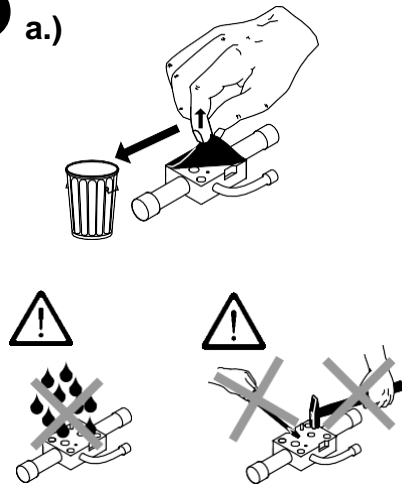


4**TMVLX****TMVL**

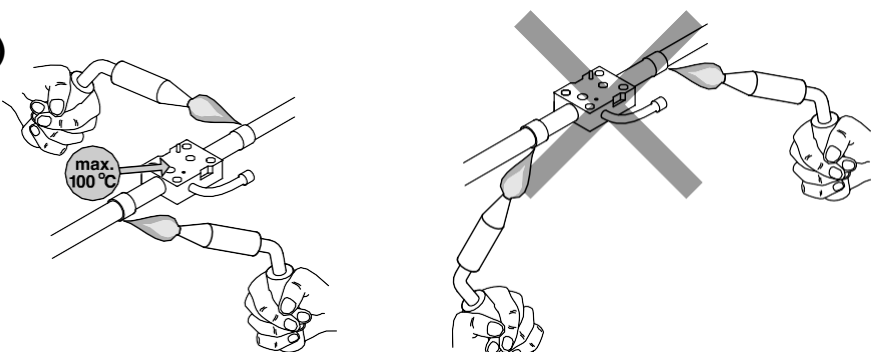
$\Delta t_{0h} = t_{0h} - t_0$
 $\Delta t_{0h} \neq \text{ok} \Rightarrow \text{II}$

5**6**

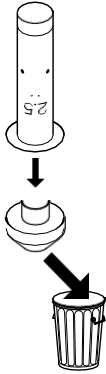
a.)

**6**

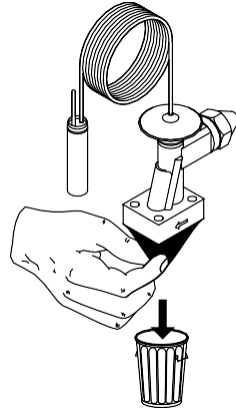
b.)



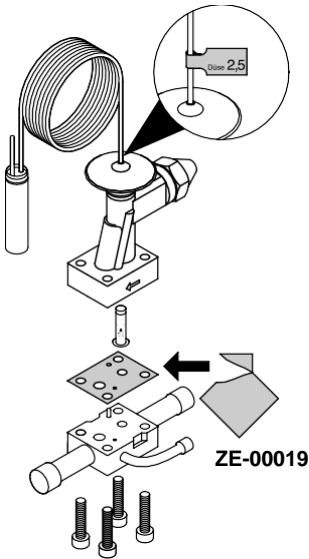
7 a.)



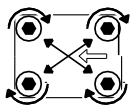
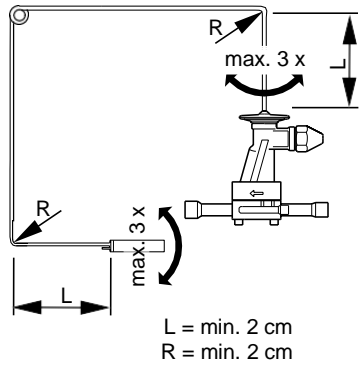
7 b.)



7 c.)

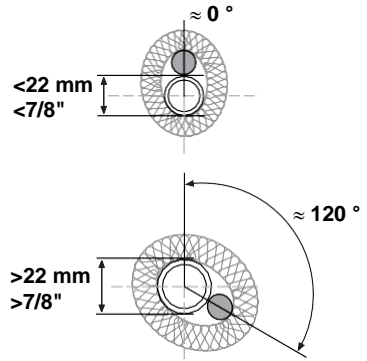
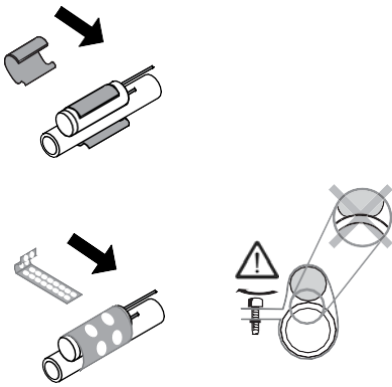


8



12 Nm 12 Nm
12 Nm 12 Nm

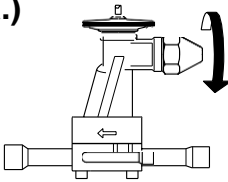
9



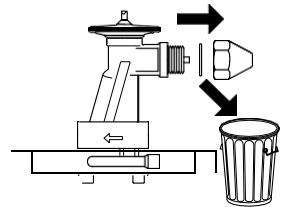
10

R22 → R407C, R407A
 R134a → R401A, R12
 R404A → R507, R402A, R407B, R502

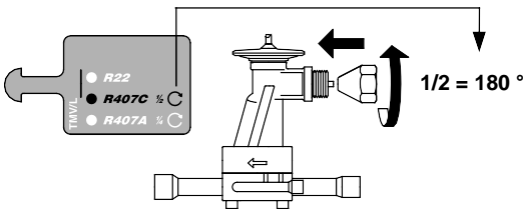
a.)



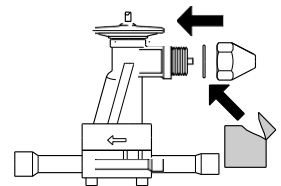
b.)



c.)

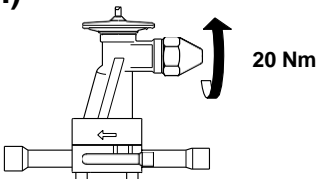


d.)

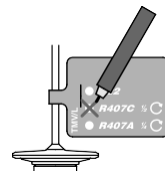


TMV-9-0004,
 ZE-00017

e.)



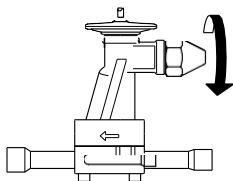
f.)



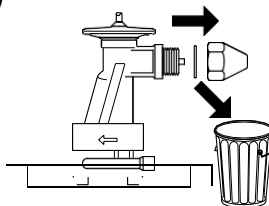


$\Delta t_{oh} \neq ok$

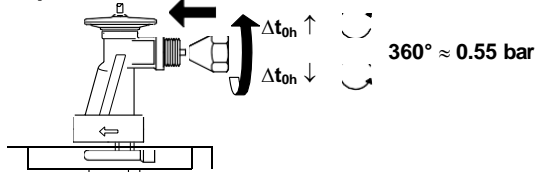
a.)



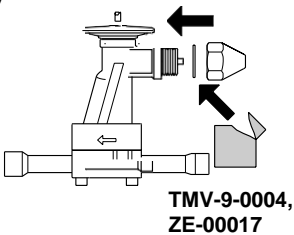
b.)



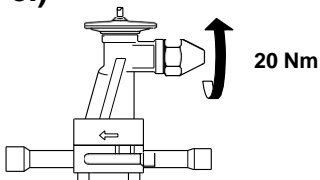
c.)



d.)



e.)



f.)



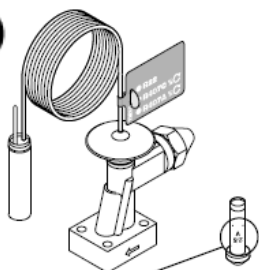
$\Delta t_{oh} \uparrow \Rightarrow MOP \downarrow$

$\Delta t_{oh} \downarrow \Rightarrow MOP \uparrow$



$\Delta t_{oh} > 0$

12



	Q ₀ [kW]													
	R22	R407C	R407A	R134a	R401A	R12	R404A	R507	R402A	R407B	R502	R124	R227	
0.3	0.5	0.5	0.5	0.34	0.4	0.3	0.37	0.37	0.39	0.4	0.34	0.29	0.2	
0.5	1.0	1.0	1.0	0.65	0.75	0.5	0.7	0.7	0.73	0.8	0.65	0.55	0.4	
0.7	1.3	1.3	1.3	0.9	1.0	0.7	1.0	1.0	1.0	1.1	0.9	0.75	0.5	
1.0	1.9	1.9	1.9	1.3	1.5	1.0	1.5	1.5	1.5	1.6	1.4	1.1	0.75	
1.5	3.1	3.1	3.1	2.1	2.4	1.7	2.3	2.3	2.4	2.5	2.2	1.8	1.3	
2.0	3.9	3.9	3.9	2.7	3.1	2.1	2.9	2.9	3.0	3.2	2.8	2.3	1.6	
2.5	5.6	5.6	5.6	3.8	4.4	2.9	4.2	4.2	4.3	4.6	4.0	3.3	2.3	
3.0	8.9	8.9	8.9	6.2	7.1	5.3	6.7	6.7	6.9	7.3	6.4	5.1	3.6	
3.5	11.7	11.7	11.7	8.2	9.3	6.1	8.8	8.8	9.0	9.6	8.6	6.8	4.7	
4.5	16.3	16.3	16.3	11.1	13.0	9.3	12.3	12.3	12.6	13.4	11.4	9.4	6.6	
4.75	21.5	21.5	21.5	15.0	17.1	11.9	16.2	16.2	16.6	17.6	14.6	12.4	8.7	
t ₀	-10 °C	-10 °C	-10 °C	-10 °C	-10 °C	-10 °C	-10 °C	-10 °C	-10 °C	-10 °C	-10 °C	+10 °C	+10 °C	
t _c	+25 °C	+25 °C	+25 °C	+25 °C	+25 °C	+25 °C	+25 °C	+25 °C	+25 °C	+25 °C	+25 °C	+50 °C	+50 °C	
Δt ₂₀	1 K	1 K	1 K	1 K	1 K	1 K	1 K	1 K	1 K	1 K	1 K	1 K	1 K	

resideo

Resideo Pittway Sàrl

Z.A. La Pièce 4

1180 Rolle

Switzerland