



MR6-024-2POS, MR6-024-010 6-Way Rotary Valve Actuator



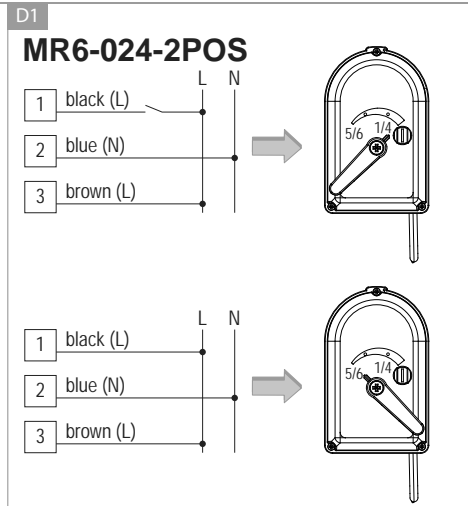
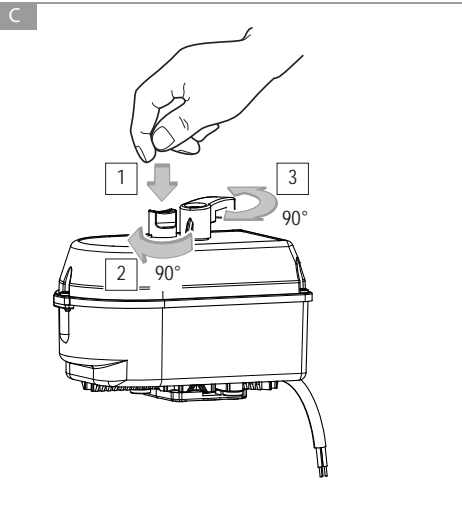
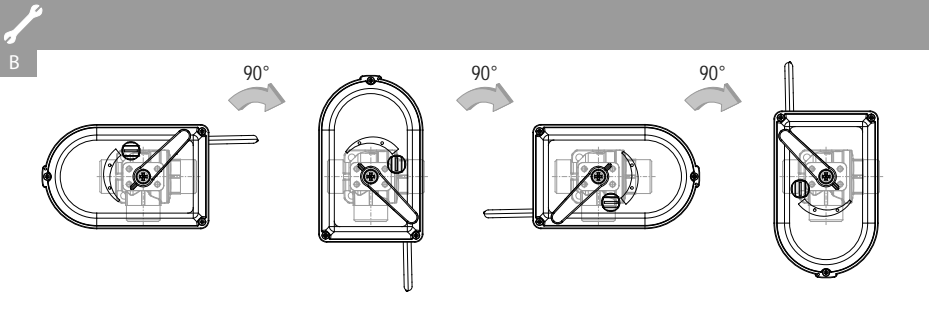
LVD 2014/35/EC
EMC 2014/30/EU
RoHS 2011/65/EC

CE EAC

MR6-024-2POS
MR6-024-010

VBG6-15
VBG6-20
VBG6-20HF

A



D2

MR6-024-010

24 VAC, 50 Hz

SN	black - GND	
X	Output Signal 0 - 10 VDC red - X (+)	
Y	Control Signal 0 - 10 VDC, 4 - 20mA blue - Y (+)	
SP	brown	

ON

OFF

1 2 3 4 5

DIP	CCW ↶	CW ↷
1	OFF	ON

DIP	↙	↘
2	OFF	ON

DIP	0,16 - 9,84V 0 - 20mA	2 - 9,84V 4 - 20mA	0,16 - 4,88V	5,12 - 9,84V
Con. sig. resolution:	40mV	40mV	40mV	40mV
3	OFF	OFF	ON	ON
4	OFF	ON	OFF	ON

DIP	U(V)	I(mA)
5	OFF	ON



Ademco 1 GmbH, Hardhofweg 40,
74821 MOSBACH, GERMANY

Phone: +49 6261 810
Fax: +49 6261 81309

For more information
homecomfort.resideo.com/europe

Distributed by Pittway Sàrl, Z.A.,
La Pièce 4, 1180 Rolle, Switzerland