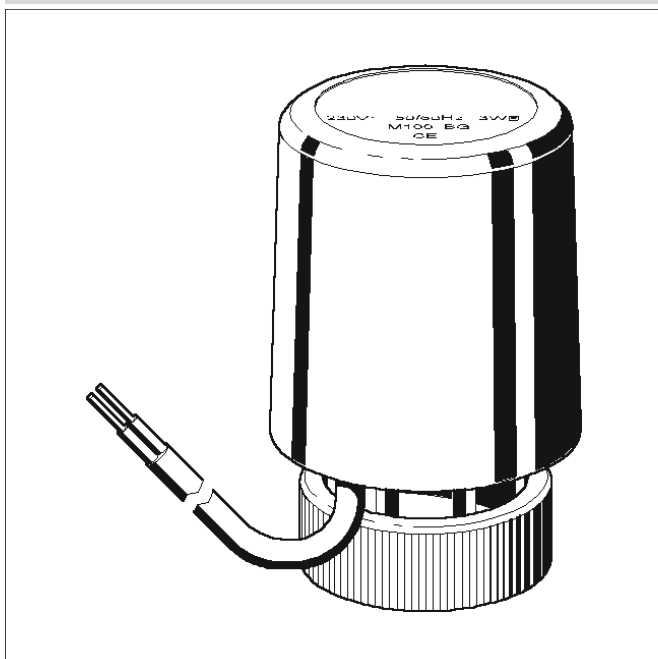




M100

Small Linear Thermoelectric Actuator

PRODUCT DATA



Design

- Available in normally open or normally closed versions
- M30 x 1,5 connection (other connections available on request)
- Fits on specified RESIDEO and Heimeier thermostatic radiator valves and valve inserts for manifolds and compact radiators
- Power supply 24 V or 230 V
- Auxiliary switch models to drive pump or fan

Application

M100 small linear actuators are used with RESIDEO room-temperature controllers and/or for time-controlled two-point regulation of heating and cooling systems equipped with fan coil units, radiators, floor heating systems, etc.

Features

- Small size allows limited space installation
- Reliable longtime operation
- No mounting tools required
- Noiseless operation
- Ready-to-wire connection cable
- Visual valve position indicator furnished with actuator
- Overload protection (4 kV) for 230 V versions

Specifications

Opening time	M100-AG; -AO; -BG; -BO: approx. 3 min M100-AGX; -AOX; -BGX; -BOX: approx. 5.5 min
Closing time	see diagram on next page
Maximum stroke	4 mm
Stem force	90 N
Ambient temperature	max. 50 °C (122 °F)
Power supply	A.. -Versions: 24 Vdc ± 20%; 50/60 Hz B.. -Versions: 230 Vac ± 20%; 50/60 Hz
Initial current	M100-AG; -AO: approx. 0.6 A M100-BG; -BO: approx. 0.3 A M100-AGX; -AOX: approx. 0.2 A M100-BGX; -BOX: approx. 0.05 A
Permanent current	M100-AG; -AO: 0.09 A M100-BG; -BO: 0.013 A M100-AGX; -AOX: 70 mA M100-BGX; -BOX: 7 mA
Power Consumption	M100-AG; -AO; -BG; -BO: 3 W M100-AGX; -AOX; -BGX; -BOX: 2 W
Protection standard	IP43
Cable length	1 m (3.3 ft), other cable lengths possible on request
Cable wires	2 x 0.5 mm ²

NOTE: Opening and closing times depend on ambient temperature. Current values at nominal voltage and resistance.

Dimensions

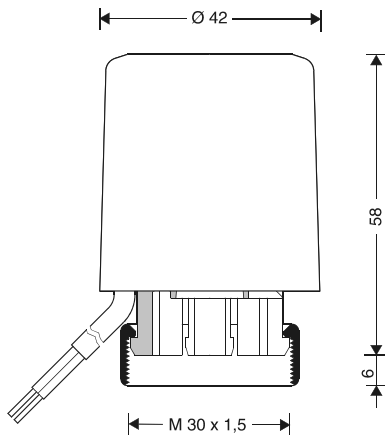


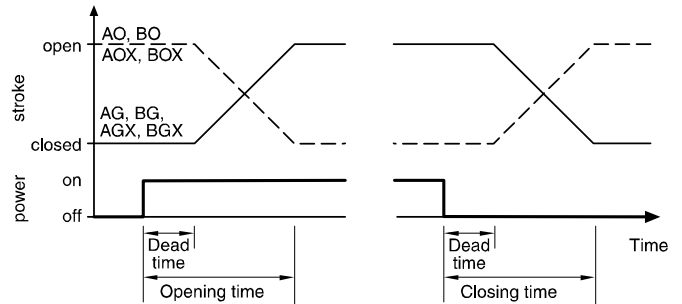
Fig. 1. Dimensions

NOTE: All dimensions in mm unless otherwise stated.

Function

When the operating current is applied, a thermostat containing an expanding medium is heated, which after a pause period causes stroke movement.

Opening and Closing Time

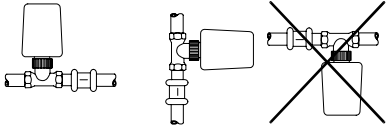


NOTE: Opening and closing times depend upon ambient temperature and model.

Ordering Information

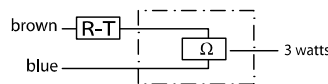
OS no.	Description	Valve action (Valve opens when heated)	Voltage	Cable	Powerconsumption
M100-AG	M100 small linear thermoelectric actuator	valve closed without current	24 V	Lenght: 1 m Wires: 2 x 0.5 mm ²	3 W
M100-AO		valve open without current	24 V		
M100-BG		valve closed without current	230 V		
M100-BO		valve open without current	230 V		
M100-AGX	M100 small linear thermoelectric actuator – low initial power consumption	valve closed without current	24 V	Lenght: 1 m Wires: 2 x 0.5 mm ²	2 W
M100-AOX		valve open without current	24 V		
M100-BGX		valve closed without current	230 V		
M100-BOX		valve open without current	230 V		

Installation Positions



NOTE: Connection leads must not touch the piping (heat transfer).

Wiring Diagram



AG, AO, AGX, AOX
BG, BO, BGX, BOX

Accessories

- ZA100M-D** Adapter for Danfoss-Valve RAVL
- ZA100M-GD** Adapter for Danfoss-Valve RA

For more information

homecomfort.resideo.com/europe



Ademco 1 GmbH
Hardhofweg 40
74821 MOSBACH
GERMANY
Phone: +49 6261 810
Fax: +49 6261 81309

Manufactured for and on behalf of the
Pittway Sàrl, La Pièce 4, 1180 Rolle, Switzerland
by its Authorised Representative Ademco 1 GmbH
EN0H-1512GE23 R0720

Subject to change

© 2020 Pittway Sàrl. All rights reserved.

This document contains proprietary information of Pittway Sàrl and its affiliated companies and is protected by copyright and other international laws. Reproduction or improper use without specific written authorisation of Pittway Sàrl is strictly forbidden. The Honeywell Home trademark is used under license from Honeywell International Inc.

Honeywell Home