



## Braukmann FR124

Combustion regulator  
for solid fuel and multi-fuel boilers

### APPLICATION

The FR124 combustion regulator opens and closes the air intake flap of solid fuel boilers in proportion to the flow temperature.

### SPECIAL FEATURES

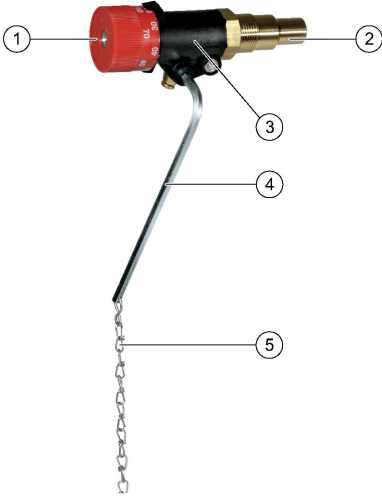
- Design tested to EN 14597 (Test No. FR1087)
- Scale for horizontal and vertical installation
- Supplied with 120 mm lever rod and chain
- Compact construction



### TECHNICAL DATA

<b>Connections/Sizes</b>	
Connection size:	3/4"
Nominal size:	DN20
<b>Operating temperatures</b>	
Max. ambient temperature:	70 °C
Max. sensor temperature:	115 °C
Setting range:	30 - 90 °C
<b>Specifications</b>	
Chain length:	1.2 m
Chain load:	100 - 600 g (Standard version), 400 - 1000 g (Reinforced version)
Tube length:	53 mm
	For solid fuel and multi-fuel heating installations to EN 12828

## CONSTRUCTION

Overview	Components	Materials
	<b>1</b> Adjustment knob	High-quality synthetic material
	<b>2</b> Immersion pocket	Brass
	<b>3</b> Housing	High-quality synthetic material
	<b>4</b> Lever rod	Galvanized steel
	<b>5</b> Chain	Galvanized steel
<b>Not depicted components:</b>		
	Spring	Spring steel
	Thermal element	-

## METHOD OF OPERATION

The combustion regulator controls combustion by adjusting the supply of air to a boiler. The intergral thermostat measures the temperature in the heat generator and in relationship to the temperature regulates a lever with chain linkage to control the air inlet to the solid fuel boiler by opening or closing the air flap.

## TRANSPORTATION AND STORAGE

Keep parts in their original packaging and unpack them shortly before use.

The following parameters apply during transportation and storage:

Parameter	Value
Environment:	clean, dry and dust free
Min. ambient temperature:	5 °C
Max. ambient temperature:	55 °C
Min. ambient relative humidity:	25 % *
Max. ambient relative humidity:	85 % *

\*non condensing

## INSTALLATION GUIDELINES

### Installation Example

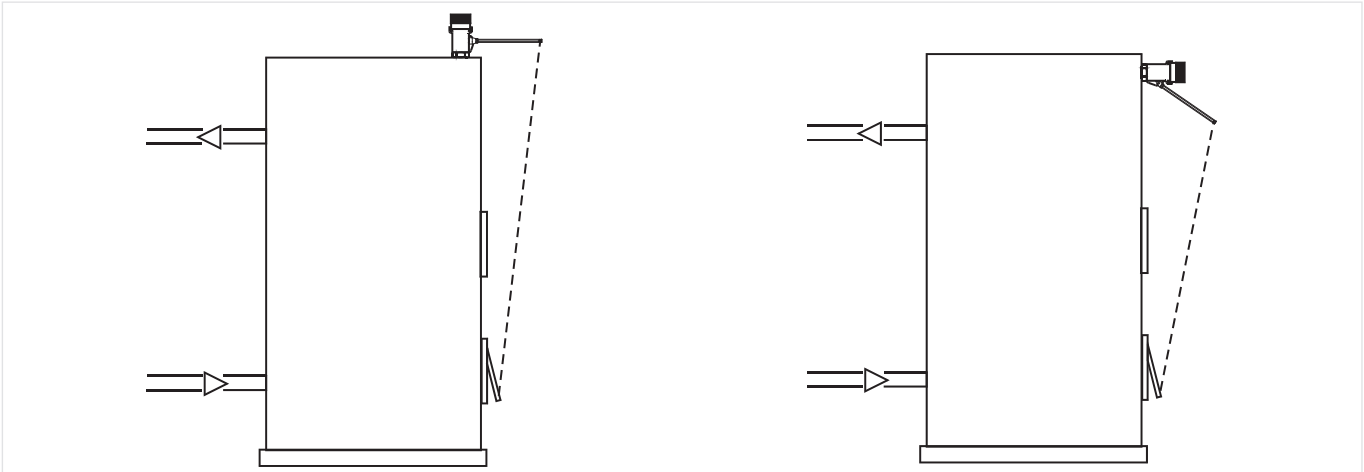
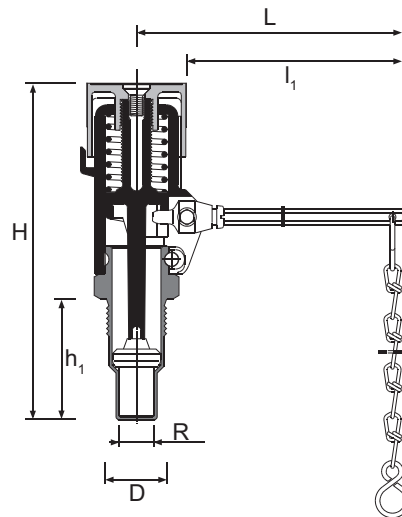


Fig. 1 Standard installation example for the combustion regulator

## DIMENSIONS

### Overview



Parameter		Values
Connection size:	R	3/4"
Dimensions:	H	149
	h <sub>1</sub>	53
	L	177
	l <sub>1</sub>	155
	D	23.9
Weight:	kg	0.46

Note: All dimensions in mm unless stated otherwise.



Manufactured for  
and on behalf of  
Pittway Sàrl, Z.A., La Pièce 4,  
1180 Rolle, Switzerland  
by its authorised representative  
Ademco 1 GmbH

For more information  
[homecomfort.resideo.com/europe](http://homecomfort.resideo.com/europe)

Ademco 1 GmbH, Hardhofweg 40,  
74821 MOSBACH, GERMANY

Phone: +49 6261 810  
Fax: +49 6261 81309