

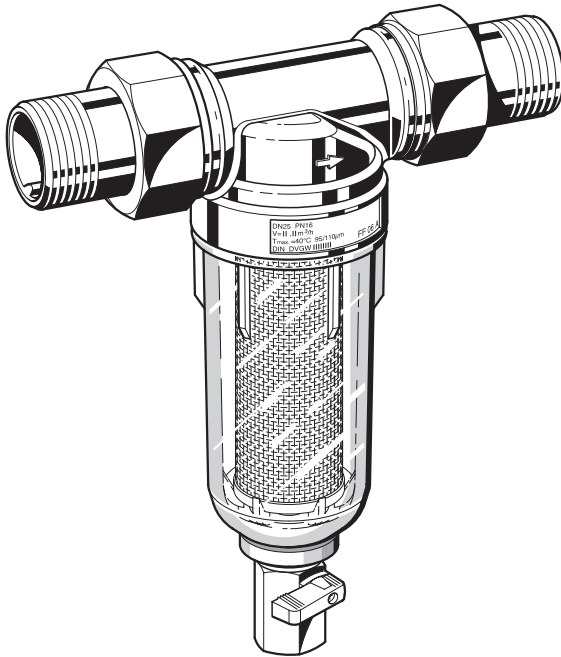


Braukmann FF06-ZAR

miniplus

Rinsable fine filter with 5 µm mesh size

Installation Instructions




Fine Filter

1. Installation

During installation, codes of good practice, local requirements and the installation instructions have to be followed. The installation location must be freeze protected and well accessible. Shut-off valves have should fitted before and after the fine filter.

1.1 Assembly

1. Flush pipework thoroughly

 **Where solder connections are used, the fine filter may not be in contact with the solder connections during soldering.**

2. Install fine filter

- Ensure correct flow direction as indicated by arrow
- Install in horizontal pipework with filter bowl downwards
- Install free of bending or twisting stress

3. Fine filter is ready to use


1.2 Rinsing water drainage

Installation options:

1. At 20 mm distance from drain funnel (Illustr. 1.2)
2. Drain into open container

2. Rinsing


Rinsing is carried out to discharge of dirt particles which might have collected at the bottom of the filter bowl. Rinsing intervals depend on the degree of the water contamination.

 Filtered water can still be drawn during rinsing cycle

2.1 Rinsing

If rinsing water is not being drained into a drain funnel, a suitable container has to be placed underneath


1. Open ball valve by turning handle 7
2. Close ball valve after approx. 15 sec.

 Filter sieves are made of stainless steel. Rust deposit from pipes have no effect on filter functions and operation

3. Maintenance

Frequency of filter insert change depends on local conditions and water quality.

For hygienic reasons, however,

 inspection should be carried out at least every six months.

3.1 Inspection

- Close valve 1 and 2
- Use ZR 06 F double ring wrench 8 to unscrew filter bowl
- Remove filter insert
- Remove seal ring 3
- Turn filter mesh 4 to remove it from mesh carrier 5
- By turning, apply new filter mesh on mesh carrier ensuring it reaches over O-ring 6
- Place back seal ring 3
- Reassemble in reverse direction
- Open valves 1 and 2

4. Scope of Application

Medium Water up to max. 40 °C
Operating pressure max. 16 bar

⚠ For cleaning plastic parts, do not use any cleaning materials containing solvents.

⚠ Filters may not be installed in locations where ultra violet rays (sunlight) or solvent fumes are present.

5. Safety Guidelines

1. Use the appliance
 - In good condition
 - According to regulations
 - With due regard to safety
2. Follow installation instructions
3. Immediately rectify any malfunctions which may influence safety
4. FF 06 fine filters are exclusively for use in applications detailed in these installation instructions. Any variation from this or other use will not comply with requirements

Note

Do not use where water is microbiological unsafe or with water of unknown quality without adequate disinfection before or after the filter

6. Spare Parts

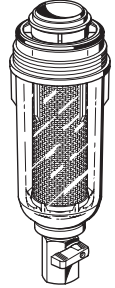
AS06

Replacement filter mesh
(pack of 5)
AS06 -1/2 ZAR 1/2"



KF06

Clear filter bowl complete
with filter mesh and carrier
KF06 -1/2 ZAR 1/2"



O-ring set

for filter mesh carrier (pack of 10)
1/2" 0903127



O-ring set

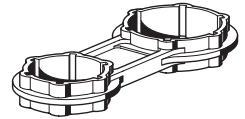
for filter bowl (pack of 10)
1/2" 0901246



7. Accessories

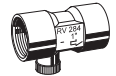
ZR06F

Ring wrench
ZR06F 1/2" - 1"



RV284

Non return valve
RV284 - 3/4 A



VST06-1/2B

Connection set
VST06B - with soldering connections





Manufactured for
and on behalf of

Pittway Sàrl, Z.A., La Pièce 4,
1180 Rolle, Switzerland

by its authorised representative
Ademco 1 GmbH

For more information
homecomfort.resideo.com/europe

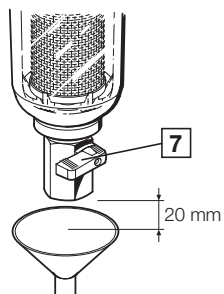
Ademco 1 GmbH, Hardhofweg 40,
74821 MOSBACH, GERMANY

Phone: +49 6261 810
Fax: +49 6261 81309

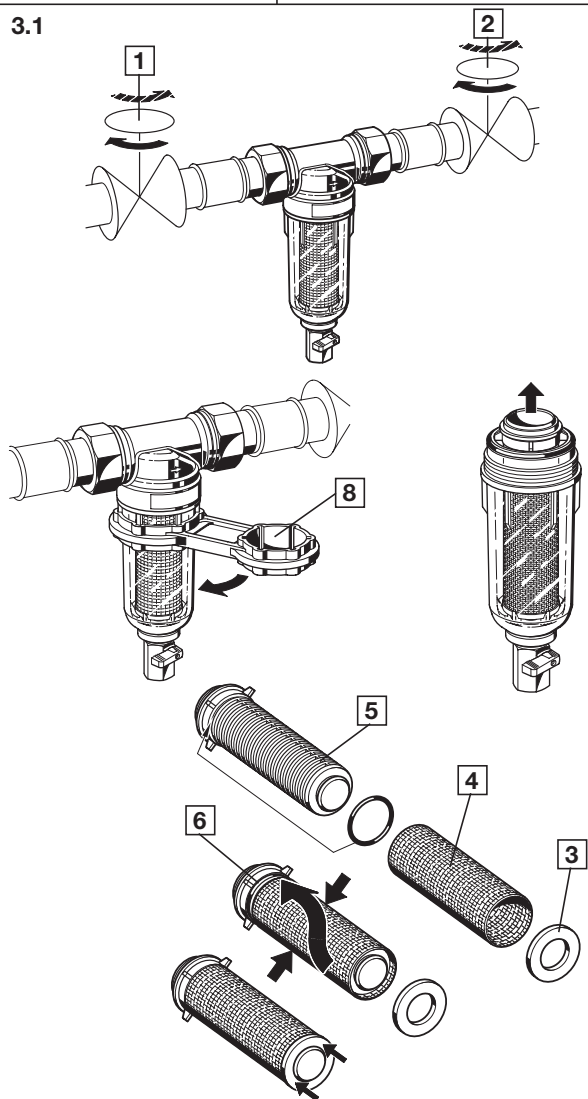
1.1



1.2



3.1



Index	Page
1. Installation	4
2. Rinsing	4
3. Maintenance	5
4. Scope of application	5
5. Safety guidelines	5
6. Spare parts	5
7. Accessories	5