



EWA600 Series

RF-Modules for EW600 and EW701 Heat Meter

APPLICATION

The EWA600 add-on modules are intended to retrofit the basic Honeywell Home mechanical EW600 and the ultrasonic EW701 compact heat meters for use in the Honeywell Home Walk-By and Honeywell Home AMR systems. These add-on module receive the data from the heat meters and transmits them within these Walk-By or AMR readout system. The add-on module is equipped with an optical interface for parameter setting.

APPROVALS

- CE marked

SPECIAL FEATURES

- Acquisition of the heat measurement data from the heatmeter
- Acquisition of the cooling energy measurement data for combined heat and cold metering
- Storage of consumption data and Due date values
- Readout via radio and transmission of the consumption values to a readout unit without direct access to the device
- One add-on radio module is required per EW600 compact heat meter

TECHNICAL DATA

Environment	
Protection:	IP65
Protection class:	III
Ambient conditions	
Transport:	-25°C to +70°C, relative air humidity: max. 95 % without condensation
Storage:	-5 °C to +45 °C, relative air humidity: max. 95 % without condensation
Use:	+5 °C to +55 °C, relative air humidity: max. 95 % without condensation
Electromagnetic compatibility	
RED	EN 300 220-2 EN 301489-1, EN 301489-3,
Security of IT Equipment:	EN 62368-1

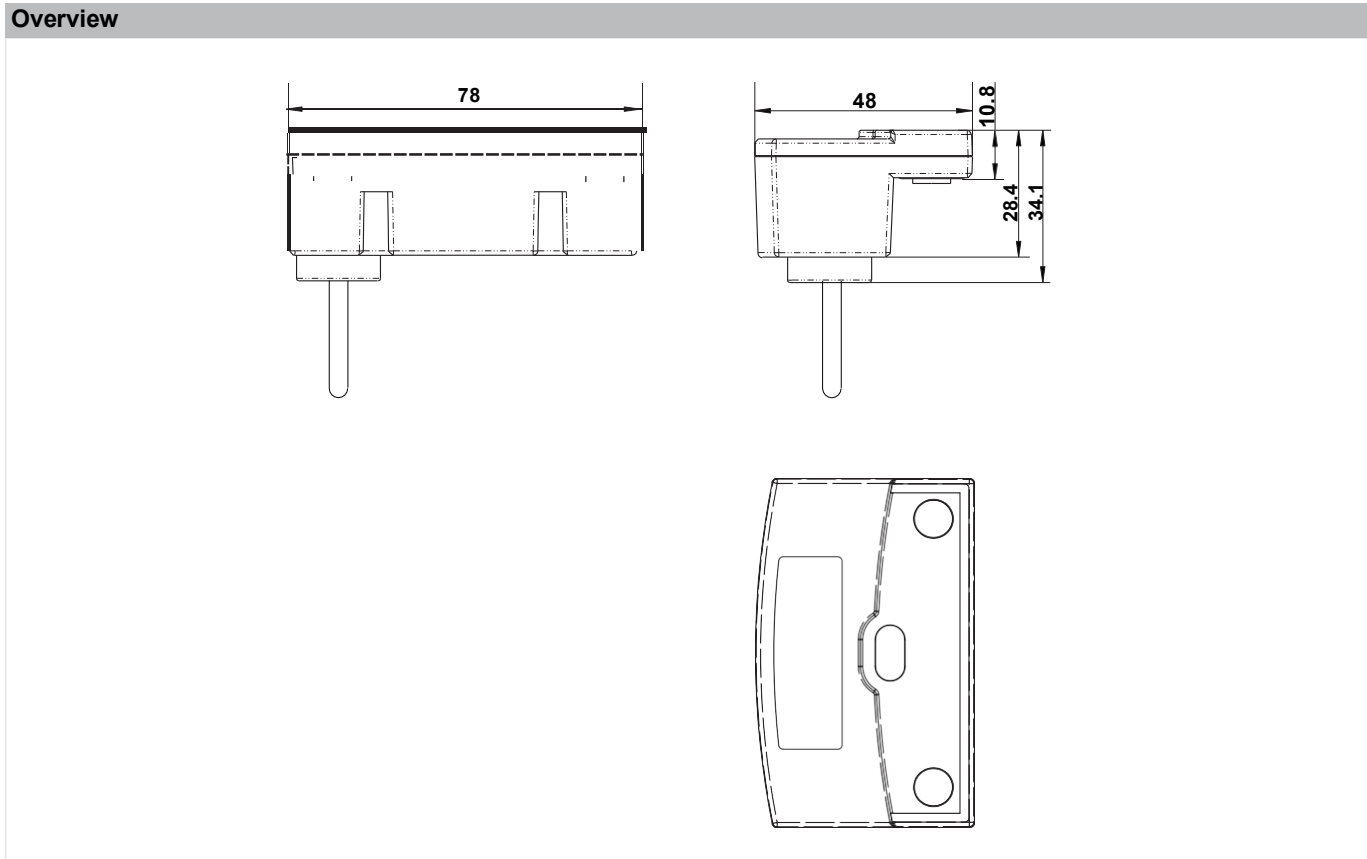


Radio	
Radio mode:	S-mode (AMR, Walk-By) C-mode (AMR, Walk-By)
Radio Frequency:	S-mode (868.3 +/- 0.3) MHz C-mode (868.95 +/- 0.25) MHz
Transmission power:	max. 10 dBm
Supply	
Battery type:	Lithium metal
Operating voltage:	DC 3 V
Battery service life:	11 years + 6 months reserve
CE Norms and Standards	
CE conformity:	According 2014/53/EU and 2011/65/EU

Stored data

- Current consumption value
- Due date value
- Due date
- 13 monthly values
- Error code

DIMENSIONS



Note: All dimensions in mm unless stated otherwise

TECHNICAL CHARACTERISTICS

Radio (wireless) features S-mode

- Radio system – parallel transmission of Walk-By and AMR data telegrams
- Transmission delay (offset)
 - Time delay for sending telegrams after the due date or at the beginning of the months in days (standard = 0 days)
- Transmission-free day
 - A maximum of 2 days from Friday, Saturday and Sunday can be defined as transmission-free days. At least 1 day must be set (standard = Sunday)

Transmission behaviour *1

Walk-By *2*3	AMR
every 128 seconds	every 4 hours
10 hours per day (8 am - 6 pm)	24 hours per day
monthly: 4 readout days from the first of each month	7 days per week
annually: 48 days after due date	365 days per year
current consumption values 13 statistical values	Data telegrams with statistics and consumption values

*1 The transmission period is always given as CET (winter time) the whole year round

*2 Transmission delay or transmission-free days for Walk-By only available in S-mode

*3 To operate in Walk-By you need the mobile data collector RML5-STD and the readout software ACT46

The readout software can be downloaded from homecomfort.resideo.com

Radio (wireless) features C-mode

- Increased radio capacity
- OMS-compliant*2
- Radio system – parallel transmission of Walk-By and AMR data telegrams

Transmission behaviour *1

Walk-By *3	AMR (OMS*2)
every 112 seconds	every 7.5 minutes
10 hours per day (8 am - 6 pm)	24 hours per day
365 days per year	365 days per year
current consumption values 13 statistical values	current consumption values

*1 The transmission period is always given as CET (winter time) the whole year round

*2 OMS "Open Metering System" communication architecture for intelligent meters for different manufacturers and branches.

*3 To operate in Walk-By you need the mobile data collector RML5-STD and the readout software ACT46

The readout software can be downloaded from homecomfort.resideo.com

Mode Change

It is possible to change between S-mode and C-mode in both directions.

For this the HMA Suite and the IrDA Programming- and Readout-Head WFZ.IRDA-USB are required.

On delivery, the default setting for the EWA600... are:

	C-mode:	S-mode:
Due date	31.12.	31.12.
Type of readout	365 days	annually 48 days after due date
Transmission delay	none	0 days
Transmission period	8 am to 6 pm, daily	8 am to 6 pm, daily
Transmission-free days	none	Sunday

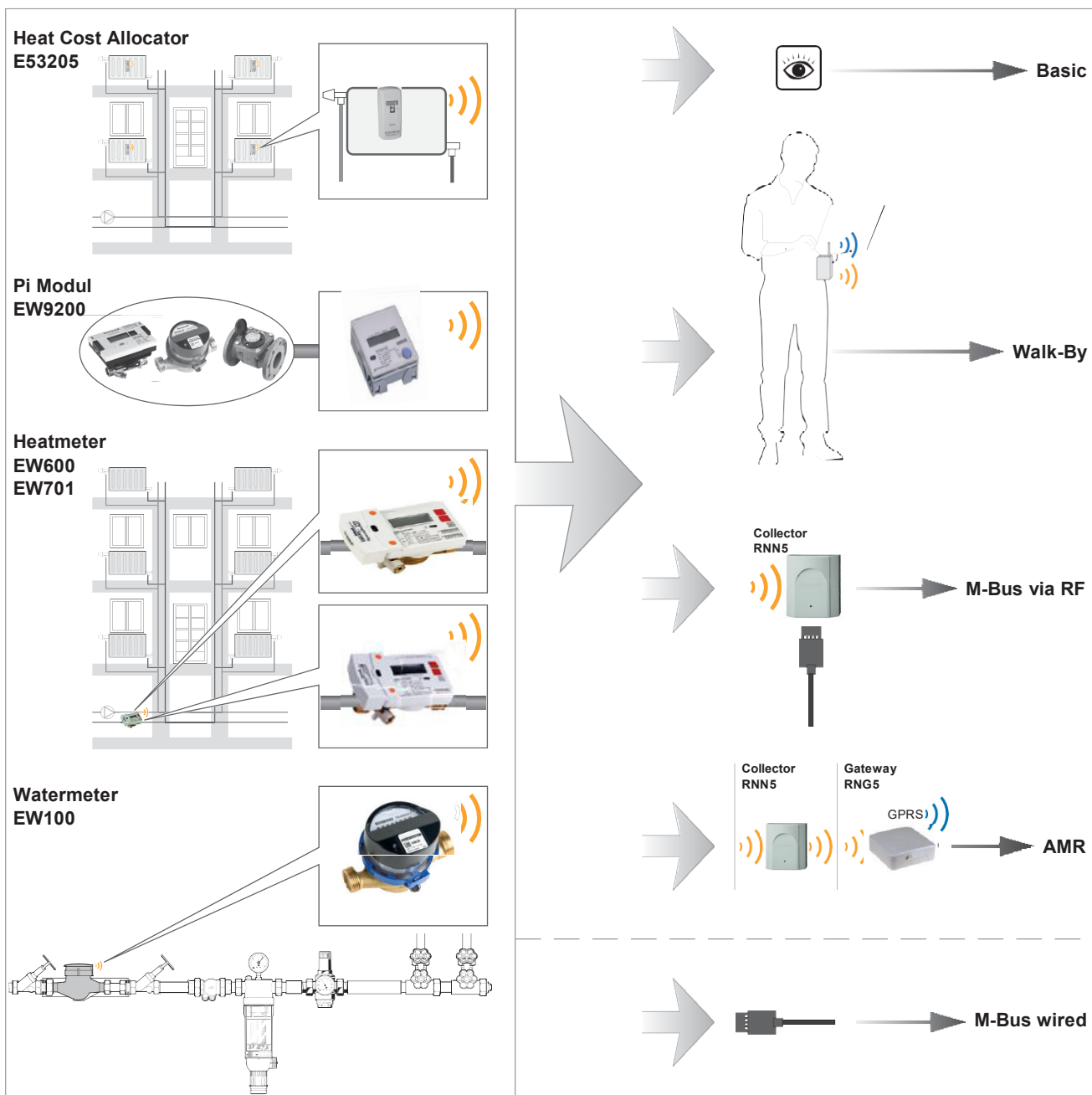
Parameter setting possibilities when using the service software HMA suite

- Installation location as a freely usable field (numeric)
- Device name / password (password protection of the devices)
- Radio mode (C-mode ↔ S-mode)
- Readout type (S-mode, monthly or yearly, 48days)
- Transmission delay (S-mode, Walk-By, max. 192 days)
- Transmission period (C-mode and S-mode, Walk-By)
- Transmission-free days (S-mode, Walk-By)

SYSTEM OVERVIEW

The EW600 and EW701 heat meter can be integrated via the EWA600 module into various type of system.

For further details reading the different systems (M-Bus etc.) pls contact your account manager.



ORDERING INFORMATION

The following tables contain all the information you need to make an order of an item of your choice. When ordering, please always state the type, the ordering or the part number.

RF-Moduls

Retrofittable RF communication modules, suitable for all mechanical EW6001AC...and ultrasonic EW7011BC... compact heat meter

OS-No.:	Description:	EAN Code:
EWA600C-RF55C	EW600 RF Retrofit Module, C 5.5	4029289082138
EWA600C-RF55S	EW600 RF Retrofit Module, S 5.5	4029289082145

Associated Products

OS-No.:	Description:	EAN Code:
Associated Datacollector (fixed):		
RNN5-STD	G5 Network node (Battery supply)	5025121381420
RNN5-230V	G5 Network node (230VAC supply)	4029289083043
Associated Datacollector (mobile):		
RML5-STD	WALKBY ACT46 BLUETOOTH V.5	4029289081360
Associated Gateway:		
RNG5-STD	RNG5 Gateway (Battery supply)	4029289081605
RNG5-230V	RNG5 Gateway (230VAC supply)	4029289083050