



## EWA100 Series

### RF-Modules for EW100 Water Meter

#### APPLICATION

The EWA100 add-on modules are intended to retrofit the Honeywell Home EW100... compact water meters for use in the Honeywell Home Walk-By and HON AMR systems.

These add-on module receive the data from the EW100 water meters and transmits them within these Walk-By or AMR readout system.

The add-on module is equipped with an optical interface for parameter setting.

#### APPROVALS

- CE marked

#### SPECIAL FEATURES

- Recording the counting pulses of the mechanical water meter prepared for wireless transmission the add-on module is fixed to
- Detection of reverse flow
- Monitoring pulse recording
- Processing the pulses and storing current consumption data, statistics values and due date values
- Readout via radio and transmission of the consumption values to a readout unit without direct access to the device
- The transmission period is always given as CET (winter time) the whole year round

General Specifications	
Rated voltage:	DC 3 V
Service life:	12 years + 12 months reserve
Data transmission according to:	EN 13757/4
Frequency band:	S-Mode: 868.3 MHz C-Mode: 868.95 MHz
Transmission power:	Typically 10 dBm
Duty Cycle:	< 1 % (50ms/128 s)
Impulse value:	1 liter
Permissible ambient temperature	
During Transport :	-25 °C to max. +70 °C
During Storage:	-5 °C to +45 °C
During Operation:	+5 °C to +40 °C



#### CE Norms and Standards

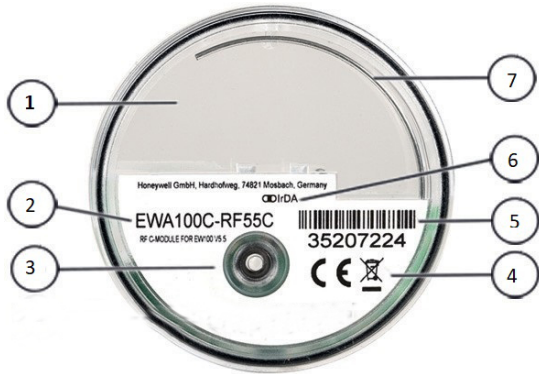
EU conformity:	2014/53/EU Radio Equipment Directive (RED) 2011/65/EU Restriction of the use of certain hazardous substances (RoHS)
Protection Rating:	IP65
Protection class:	III
Radio:	RED EN 300 220-2
Electromagnetic compatibility:	EN301 489-1 EN301 489-3
Security of IT Equipment:	EN62368-1

#### Stored data

- Current consumption value
- Due date value
- Due date
- 13 monthly values
- Error code
- Error date

## COMMUNICATION AND READOUT

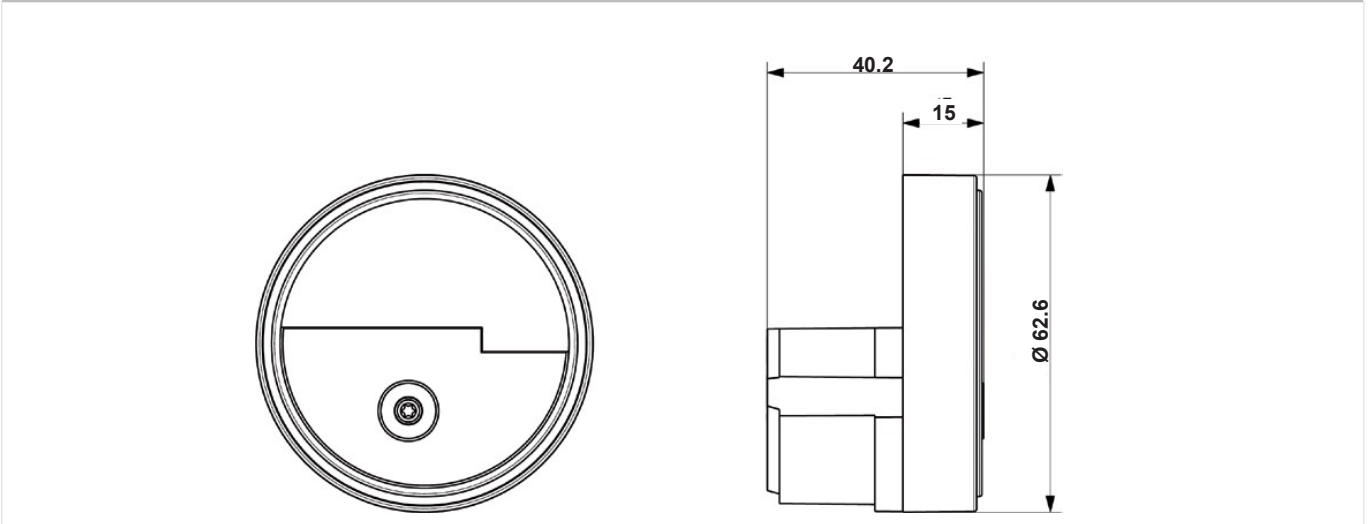
### Front Panel Contents



Number	Element
1	Transparent housing
2	OS Number (order number)
3	IrDA port for use with opto head
4	CE mark and wheelie bin symbol
5	Serial number as barcode and clear text
6	IrDA interface indicator
7	RF antenna

## DIMENSIONS

### Overview



## TECHNICAL CHARACTERISTICS

### Radio (wireless) features S-mode

- Radio system – parallel transmission of Walk-By and AMR data telegrams
- Transmission delay (offset)
  - Time delay for sending telegrams after the due date or at the beginning of the months in days (standard = 0 days)
- Transmission-free day
  - A maximum of 2 days from Friday, Saturday and Sunday can be defined as transmission-free days. At least 1 day must be set (standard = Sunday)

### Transmission behaviour

Walk-By*1	AMR
every 128 seconds	every 4 hours
10 hours per day (8 am - 6 pm)	24 hours per day
monthly: 4 readout days from the first of each month	7 days per week
annually: 48 days after due date	365 days per year
current consumption values 13 statistical values	Data telegrams only or statistics and consumption values

\*1 For this, you need the mobile data collector RML5-STD and the actual readout software ACT46

The readout software can be downloaded from <https://homecomfort.resideo.com/sites/Europe/en-gb/Solutions/Metering>

**Radio (wireless) features C-mode**

- Radio system – parallel transmission of Walk-By and OMS data telegrams
- Increased radio capacity in C-mode (10 dBm)

**Transmission behaviour**

Walk-By*1	AMR (OMS*2)
every 112 seconds	every 7.5 minutes
10 hours per day (8 am - 6 pm)	24 hours per day
365 days per year	365 days per year
current consumption values	current consumption values
13 statistical values	

\*1 For this, you need the mobile data collector RML5-STD and the readout software ACT46

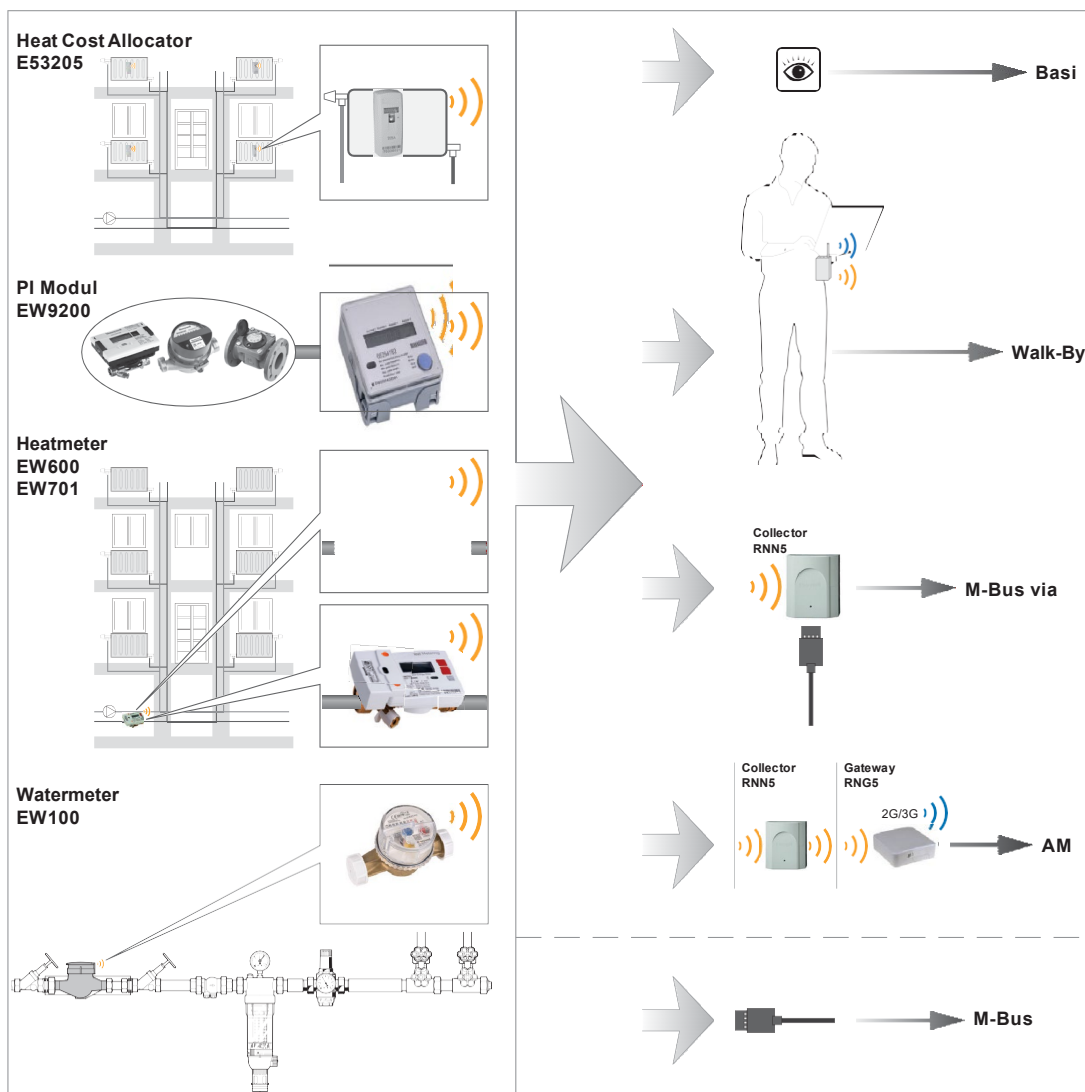
The readout software can be downloaded from <https://homecomfort.resideo.com/sites/Europe/en-gb/Solutions/Metering>

\*2 OMS "Open Metering System" communication architecture for intelligent meters for different manufacturers and branches.

**SYSTEM OVERVIEW**

The EW100 water meter can be integrated via the EWA100 RF-Module into various type of system.

For further variants of systems (M-Bus etc.) pls contact your account manager.



## ORDERING INFORMATION



The following tables contain all the information you need to make an order of an item of your choice. When ordering, please always state the type, the ordering or the part number.

### Options

Retrofittable communication modules, suitable for all EW100 water meter listed below:

Item:	DN size:	Nominal flow qp m <sup>3</sup> /h:	Length mm:	Ordering Number:	EAN Code:
EW100 singlejet water meter for cold drinking water applications	15	2.5	80	EW1000AZ1101	4029289072863
	15	2.5	110	EW1000AZ1201	4029289072870
	20	4	130	EW1000AZ2001	4029289072887
EW100 singlejet water meter for warm drinking water applications	15	2.5	80	EW1001AZ1101	4029289072894
	15	2.5	110	EW1001AZ1201	4029289072900
	20	4	130	EW1001AZ2001	4029289072917

### RF-Moduls

	Ordering Number	Description	EAN Code
	<b>EWA100C-RF</b>	<b>Clip on modules</b>	
	EWA100C-RF55C	RF C-Mode module for AMR / Walk-By Network	4029289081643
	EWA100C-RF55S	RF S-Mode module for AMR / Walk-By Network	4029289081650
	<b>WFZ.IRDA-USB</b>	<b>Programming Adapter</b>	
	WFZ.IRDA-USB	Optical connector for IRDA port	5025121383509

### Associated Products

OS-No.:	Description:	EAN Code:
<b>Associated Datacollector (fixed):</b>		
RNN5-STD	G5 Network node (Battery supply)	5025121381420
RNN5-230V	G5 Network node (230VAC supply)	4029289083043
<b>Associated Datacollector (mobile):</b>		
RML5-STD	WALKBY ACT46 BLUETOOTH V.5	4029289081360
<b>Associated Gateway:</b>		
RNG5-STD	RNG5 Gateway (Battery supply)	4029289081605
RNG5-230V	RNG5 Gateway (230VAC supply)	4029289083050