



# EW535M0131 M-Bus Receiver Installation and Setup Instructions

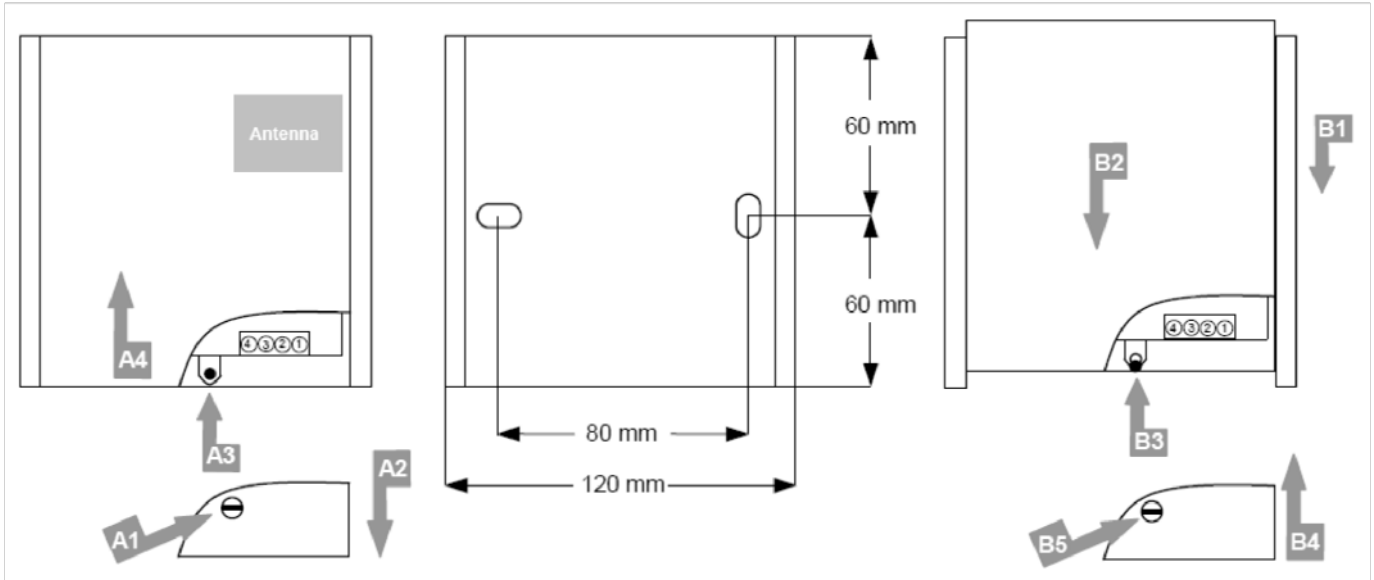


Figure 1. Installation

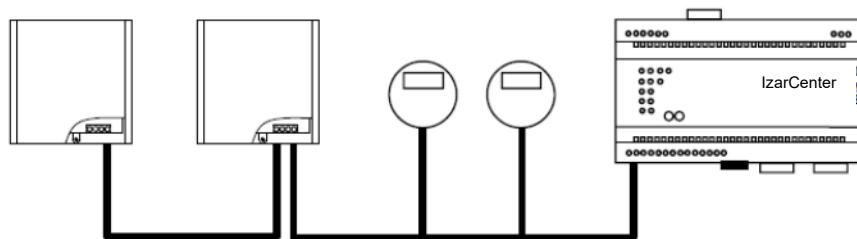


Figure 2. Configuration example

**Important Note:** The M-Bus Receiver device may only be installed and operated by electrically qualified personnel. For the installation appropriate preventive measures against ESD have to be undertaken. For installations, please ensure that – depending on cable length (resistance and impedance) the M-Bus voltage for operating the M-Bus Receiver is never below 32V.

## 1 Mounting and Dismounting

For easy installation the EW535M0131 M-Bus Receiver (abbr.: Receiver) has a removable wall holder.

**Receiver must be installed at least 10cm away from metal parts (e.g. pipes or wires). Installation area must comply with housing protection class of IP20.**

**Wall holder:** Wall holder is fixed with two 5 mm screws on a smooth and even surface. Drill appropriate holes with spacing of 80mm (see Figure 1).

**Mounting:** Place Receiver onto wall holder as shown in right hand figure (B1). Slide Receiver onto wall holder (B2) until lock (B3) snaps in. Slide terminal protection cap from bottom of opening upwards to cover terminals (B4) (mandatory). Bolt terminal protection cap with a plastic seal (B5).

**Dismounting:** Use screwdriver to turn plastic seal until it breaks (A1). Slide terminal protection cap downwards to uncover terminals (A2). Lift lock (A3) and slide Receiver upwards (A4). Receiver can now be removed from wall holder.

## 2 Electrical Connections

For connecting Receiver terminal protection cap must be removed.

**Connections:** Connect two wire cable from an IzarCenter to terminals 1 and 2 (M-Bus input). Connection is polarity independent. If you want to connect additional Receivers or standard M-Bus devices to same M-Bus, use terminals 3 and 4 (M-Bus output) to extend M-Bus to next device.

Terminal	Description
1	M-Bus input polarity 1
2	M-Bus input polarity 2
3	M-Bus output polarity 1
4	M-Bus output polarity 2

## 3 Application

The Receiver can only be used with IzarCenter 60 / 120 / 250. **It cannot be used with HydroCenter 25.** The Receiver consumes M-Bus currency comparable to 20 standard M-Bus devices. Therefore, it is possible to connect:

- max. 3 Receivers to an IzarCenter 60 (EW535M5777 or EW535M5781)
- max. 6 Receivers to an IzarCenter 120 (EW535M5778 or EW535M5782)
- max. 12 Receivers to an IzarCenter 250 (EW535M5780 or EW535M5783)

In all cases **maximum M-Bus cable length** is limited to **100m...1km (max.)**, dependent on number of Receivers and of other M-Bus devices connected to the M-Bus.

## 4 Indicators

A red and a green LED next to terminals of Receiver indicate operational state.

**Startup:** Red LED lights up once for less than 3 seconds

**Operation:** Green LED lights up if valid radio device telegram has been received

**Hardware failure:** Red LED lights up permanently after startup. In this case self check has failed and Receiver must be replaced

**Firmware update:** During firmware update of Receiver both LEDs flash in parallel with a frequency of approximately 1Hz

## 5 Technical Data

**Power supply:** Via M-Bus,  $U = 32...42V$ ,  $I_{max} = 30mA$  (20 M-Bus loads)

**Housing:** 120 x 120 x 35mm, plastic housing for wall mounting (internal antenna)

**Protection class:** IP20

**Operating temp.:** 0...60°C

**Humidity:** 10...70% relative humidity, non condensing

**Weight:** approx. 0.2kg

**Software:** IzarCenter, please use latest version. Software can be downloaded free of charge from [homecomfort.resideo.com](http://homecomfort.resideo.com)



Ademco 1 GmbH  
Hardhofweg 40  
74821 Mosbach  
Phone: +49 1801 466 388  
info.de@resideo.com  
homecomfort.resideo.com

@2020 Resideo Technologies, Inc. All rights reserved. The Honeywell Home trademark is used under license from Honeywell International Inc. This product is manufactured by Resideo Technologies, Inc and its affiliates.

**Honeywell Home**