



T6812 Series

FAN-COIL CONTROLLER

PRODUCT DATA



APPLICATIONS

The T6812 digital thermostat is designed to control the valve and fan within 2-pipe fan-coil systems.

Modern, attractive styling and comprehensive feature set makes the T6812 suitable for a wide range of applications.

There are 3 standard application configurations supported, and these are:

Application	Description
0	2 pipe system, heating only
1	2 pipe system, cooling only
2	2 pipe system, 1 stage heat or 1 stage cool, manual changeover

The different applications can be selected from the installer setup mode and by altering the external wiring connections

FEATURES

- Clear and easy to read LCD display with backlight
- Room temperature or setpoint displayed
- Display can be configured to show °C or °F
- Heat / Cool or Fan-Only mode displayed on LCD
- Lockable keypad
- Room setpoint adjustable via simple-to-use up/down buttons
- Cool, Ventilation or Heat Icons display system function
- Manual control of fan speed (1, 2 or 3)
- Junction box or direct wall mounting
- Inbuilt temperature sensor
- Room temperature or setpoint displayed under normal operation (setpoint displayed during temperature adjustment)
- Proportional plus integral (P+I) control algorithm
- T6812 meets all relevant requirements for CE approval
- Installer setup mode allowing operating parameters to be changed
- Installer set up settings retained in the event of a power loss
- -2°C to +2°C Temperature display offset via installer setup mode
- Setpoint stored in the event of power loss
- Easy to use installer setup mode allows for simple thermostat setup
- Setpoint range 10°C to 32°C
- Installer test mode for on-site wiring checks
- Line voltage (230V~) models available

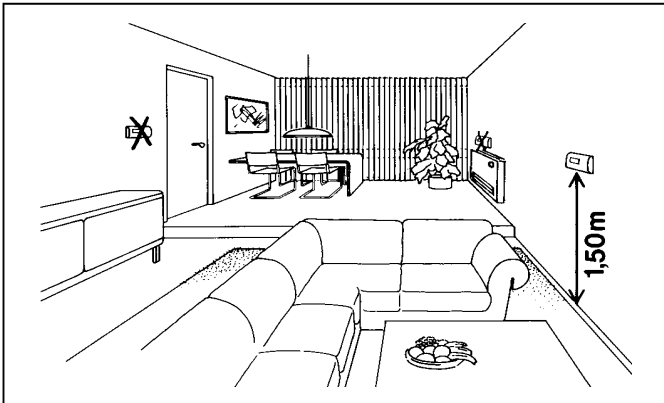
SPECIFICATIONS

Setpoint range	10...32°C
Supply voltage	230V~ (±10%) 50/60 Hz
Control Performance	P+I algorithm applied to ON/OFF control gives typical control to ±1.0°C at 22°C
Electrical ratings	Fan Motor: 230V~, 50...60Hz, 4.0A run, with inrush 10A Valve Actuators: 230V~, 50...60Hz, 2.0A run, with inrush 3.5A
Operational life	Greater than 100,000 cycles (all loads) for thermostat contacts at 230V~
Mounting	Mounts directly onto wall or 86mm x 86mm or vertically mounted 2" x 4" wall-box. Mounting screws supplied.
Wiring	7 screw-in terminals per unit, capable of accepting either 2 wires up to 1.5 mm ²
Enclosure	Plastic 2-piece housing
Dimensions	126 x 86 x 29 mm (h x w x d)
Environmental requirements	Operating temperature range 0°C to +50°C Shipping and storage temperature range -20 °C to +55°C Humidity range 5 to 95% rh, non-condensing
Approvals	CE mark. Complies with standards EN60730-1 (2001), EN55014-1 (2007), EN55014-2 (1997). Product must be wired as shown for CE compliance.

T6812 APPLICATIONS

Application	Description	Changeover	Fan speed	Output type
0	2 pipe system, heating only	No	Off/ 1,2 or 3	On Off
1	2 pipe system, cooling only	No	Off/ 1,2 or 3	On Off
2	2 pipe system, 1 stage heat or 1 stage cool	Manual	Off/ 1,2 or 3	On Off

INSTALLATION



Location

The T6812 thermostat is the temperature control element in the fan-coil or air-conditioning system, and must be located about 1.2 to 1.5m above the floor (according to local building regulations) in a position with good air circulation at room temperature. Do not mount it where it could be affected by:-

- draughts or dead spots behind doors or in corners
- hot or cold air from ducts
- radiant heat from the sun or appliances
- unheated (uncooled) areas such as an outside wall behind the thermostat
- concealed pipes or chimneys

Mounting the thermostat

The T6812 thermostat can be directly mounted on the wall or on a vertically installed 2x4inch US junction box. Mounting screws are supplied for both alternatives.

IMPORTANT

*The installer must be a trained service engineer
Isolate the power supply before beginning installation*

1. Locate the wall-plate in the mounting position, insert the mounting screws through the appropriate holes and screw into position.
2. Complete the wiring onto the terminal blocks in the main body of the thermostat.

Attach the thermostat to the wall-plate as follows:

3. Locate the 2 lugs at the top of the body onto the top of the wall plate and push the body onto the wall plate.
4. Tighten retaining screw in the lower edge of the thermostat.

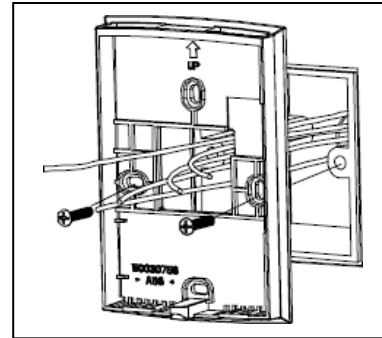
Wiring the thermostat

The standard wiring access is via a hole in the centre of the thermostat wall-plate. See wiring diagrams for details.

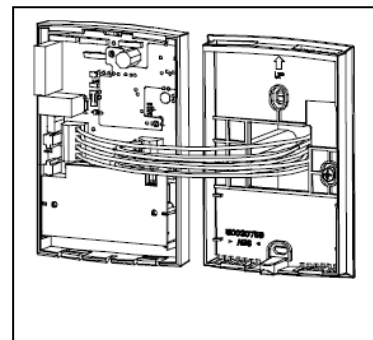
Removing the thermostat from the wall

If it becomes necessary to remove the thermostat from the wall-plate:

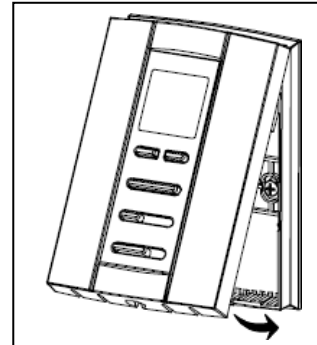
1. Isolate the power supply before removing the thermostat.
2. Loosen the retaining screw in the lower edge of the thermostat.
3. Pry the lower edge of the thermostat away from the wall-plate.
4. Use both hands to pull the thermostat straight away from the wall-plate.
5. NOTE - Incorrect removal of the thermostat from the wall-plate may damage the device.



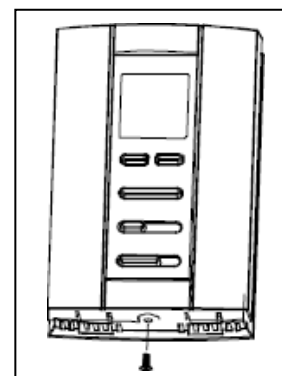
1. Locate the wallplate and pull through the wires



2. Complete the wiring onto the terminal blocks



3. Locate lugs and clip the thermostat onto the backplate

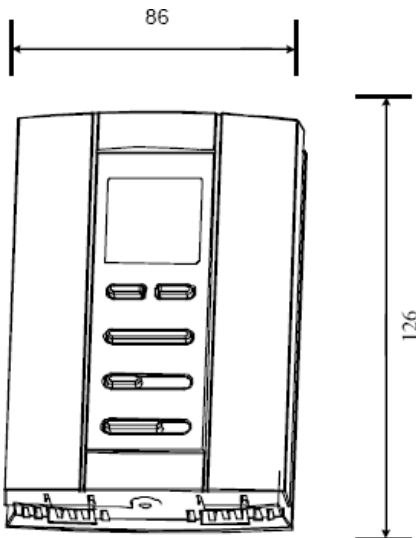


4. Tighten retaining screw at base of thermostat

INSTALLER SETUP MODE (ISU) – T6812 THERMOSTATS

ISU Number and description	Range
1 System Type	0 = 2 Pipe system Heat Only
	1 = 2 Pipe system Cool Only
	2 = 2 Pipe system 1H1C manual changeover (default)
9 Temperature Scale	0 = °F
	1 = °C (default)
13 CPH value for HEATING	1 – 12 (default = 4)
14 CPH value for COOLING	1 – 6 (default = 3)
18 Temperature display offset	- 2.0°C to + 2.0°C incr. 0.5°C (-4°F to +4°F incr. 1.0°F) (default = 0°)
19 Temperature display mode	0 = Display room temperature (default)
	1 = Display setpoint
20 Heating range stops	10 – 32°C (default max. = 32°C) , 50 – 90°F (default max. = 90°F)
21 Cooling range stops	10 – 32°C (default min. = 10°C) , 50 – 90°F (default minx. = 50°F)
22 Keypad lockout	0 = All keys available (default)
	1 = All keys locked

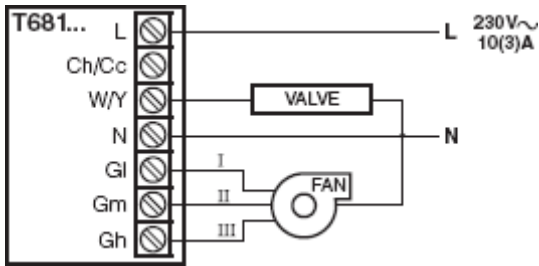
DIMENSIONS



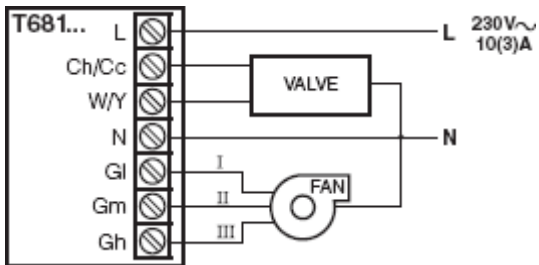
ORDERING SPECIFICATIONS

OS Number	Description
T6812A1000	FCU Controller two pipe, 230V~

WIRING DIAGRAMS



Typical wiring for two-pipe application with VC4 type valve – Spring return



Typical wiring for two-pipe application with VC6 type valve – Drive
open / Drive closed