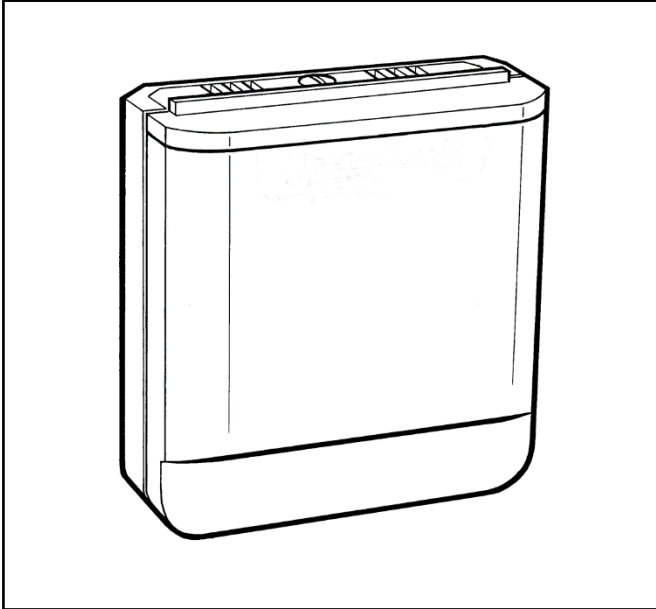




F42010972 001

REMOTE TEMPERATURE SENSOR FOR USE WITH **CM900** CHRONOTHERM

PRODUCT SPECIFICATION SHEET



APPLICATION

The F42010972 001 Remote Temperature Sensor is designed to provide the **CM900** chronotherm with the capability of detecting and controlling the temperature in a different room from which it is mounted.

The sensor comes in a discreet, attractively styled moulding with terminal blocks to allow quick and easy wiring.

The Remote Temperature Sensor is ideal for use in shops, waiting rooms, or any other application where the user would like to control the temperature of a room from a separate location.

FEATURES AND BENEFITS

Consumer

- **The Remote Temperature Sensor** allows easy control of a remote location
- **Helps shopkeepers** prevent customers from tampering with the room temperature
- **Attractive moulding** blends easily into any location

Installer

- **Moulding can be** quickly and easily mounted
- **Simple connection** to terminal blocks in sensor and **CM900**.
- **Quick set-up** through installer mode
- **Can be used** with up to 50m of cable to allow optimum positioning of sensor

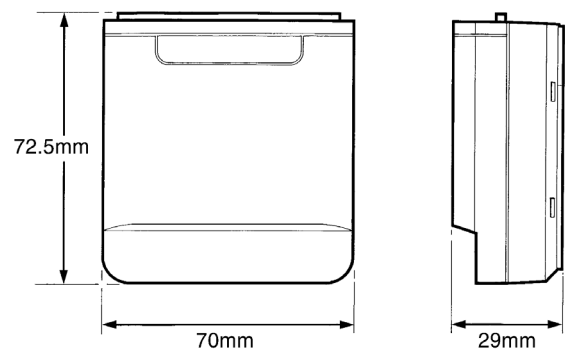
SPECIFICATIONS

Operating Ambient Temperature Range : 0°C to 40°C
(-13°F to 113°F)

Operating Relative Humidity : 0% to 95% RH

Accuracy (over Control Range) : +/- 1°C
5°C to 30°C

DIMENSIONS



LOCATION AND MOUNTING

For optimum performance mount the sensor where

- ❑ There is good air circulation
- ❑ Wire distance sensor and **CM900** is less than 50m
- ❑ At a height of 1.5m from the ground

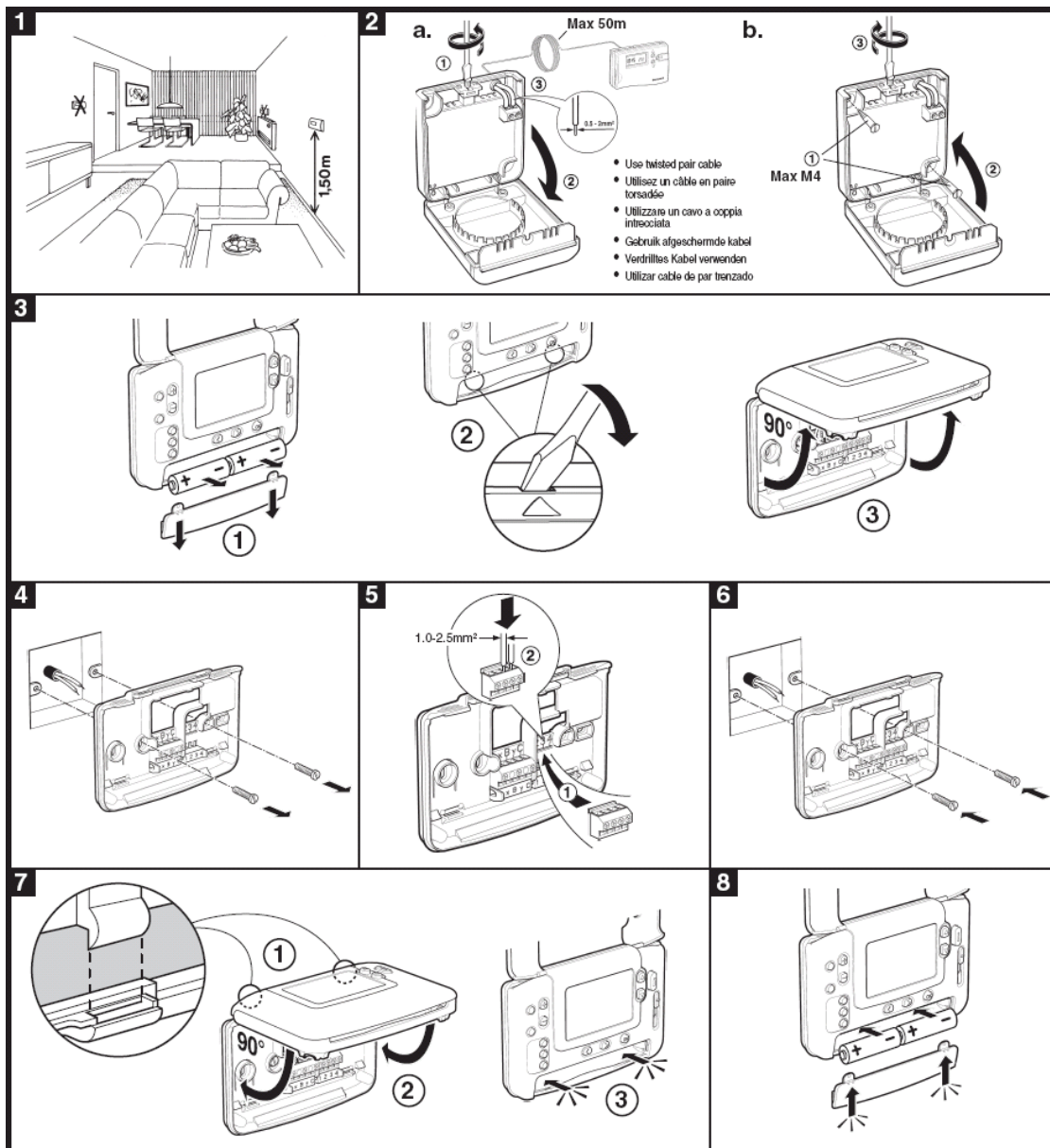
Do not mount the sensor

- ❑ In direct sunlight
- ❑ Above radiators
- ❑ Near large cooling or heating units
- ❑ Near motors, lines starters, lighting ballasts or any other inductive load

CHARACTERISTICS (NTC)

T (°C)	R (k Ω) +/- 1%
0	27.21
10	17.92
20	12.08
25	10.00
30	8.31
40	5.83
50	4.16

INSTALLATION



The installation instructions, supplied with the unit, can now be followed to complete the installation process.