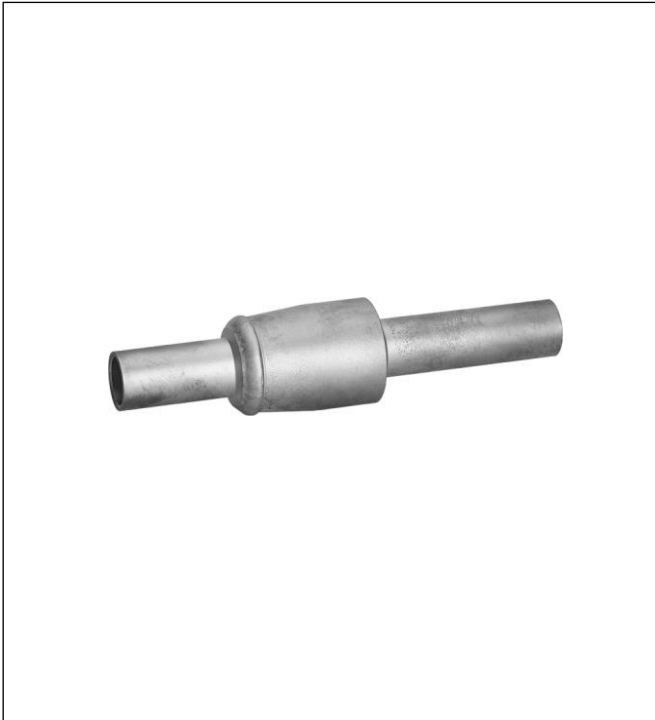


Series RV

CHECK VALVES

FOR ALL FLUORINATED REFRIGERANTS

PRODUCT DATA



Features

- Hermetically welded type
- Low pressure drop
- Copper plated solder connections
- Refrigerants: all CFC, HCFC, HFC, not for ammonia

Specification

Nominal capacity range	see table on page 2
Maximum pressure PS	43 bar(a) 32.5 bar(a) (RV-07S) 11 bar(a) at t < -20 °C
Maximum test pressure PF	61.5 bar(a) 46.5 bar(a) (RV-07S) 15.7 bar(a) at t < -20 °C
Maximum temperature	120 °C
Minimum temperature	-40 °C

Application

Check valves series RV are installed in the liquid line, hot gas line or suction line of a refrigerated plant to permit the flow of the refrigerant only in one direction. This is realised by a spring-loaded piston which opens the valve only in one direction.

Materials

Housing, piston	brass
Sealing material	Teflon
Connection tubes	copper plated brass

Capacities

Type	ΔP^* (bar)	kv- value (m ³ /h)	Q _N (kW)											
			Liquid line				Suction gas line				Hot gas line			
			R22	R134a	R404A R507A	R407C R410A	R22	R134a	R404A R507A	R407C R410A	R22	R134a	R404A R507A	R407C R410A
RV-02 MMS RV-02 S	0.06	0.37	6.7	6.2	4.4	6.2	1.0	0.8	0.8	1.0	4.4	3.2	3.7	4.0
RV-03 MMS RV-03 S	0.06	1.75	31.7	29.3	20.8	29.2	4.7	3.8	3.8	4.5	20.8	15.1	17.5	22
RV-04 MMS RV-04 S	0.05	3.27	59.2	54.8	38.9	54.6	8.8	7.1	7.1	8.4	38.0	28.3	32.7	40
RV-05 S	0.05	3.64	65.9	61.0	43.3	60.7	9.8	7.9	7.9	9.3	43.3	31.5	36.4	46
RV-07 S	0.03	7.50	136.4	126.4	89.5	125.7	20.5	16.3	17.0	19.5	87.5	63.8	75.0	93

* ΔP = min. pressure drop at which the valve is completely open

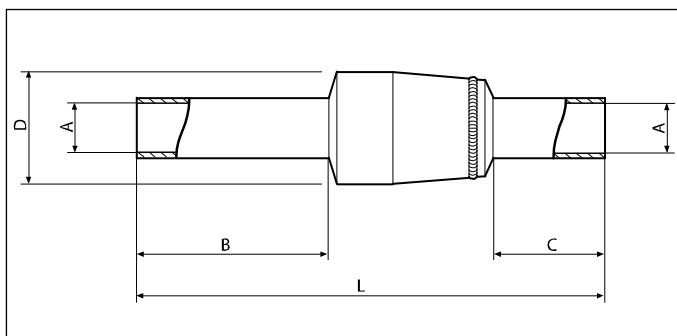
The nominal capacity Q_N as mentioned in table above refers to the following conditions:

Liquid and suction gas:

evaporating temperature t₀: +4 °C
 condensing temperature t_c: +38 °C
 pressure drop: 0.15 bar

Hot gas:

temperature of hot gas: +85 °C
 pressure drop: 1.0 bar



Dimensions and Weights

Type	Connection (A)	Dimensions (mm)				Weight (kg)
		B	C	D	L	
RV-02 MMS	6 mm ODF	42	22	18	95	approx. 0.05
RV-02 S	1/4" ODF	42	22	18	95	
RV-03 MMS	10 mm ODF	42	22	18	95	approx. 0.05
RV-03 S	3/8" ODF	42	22	18	95	
RV-04 MMS	12 mm ODF	48	28	27	117	approx. 0.15
RV-04 S	1/2" ODF	48	28	27	117	
RV-05 S	16 mm ODF 5/8" ODF	48	28	27	117	approx. 0.20
RV-07 S	22 mm ODF 7/8" ODF	72	72	35.5	186	approx. 0.25

resideo

Resideo Pittway Sàrl

Z.A. La Pièce 4

1180 Rolle

Switzerland