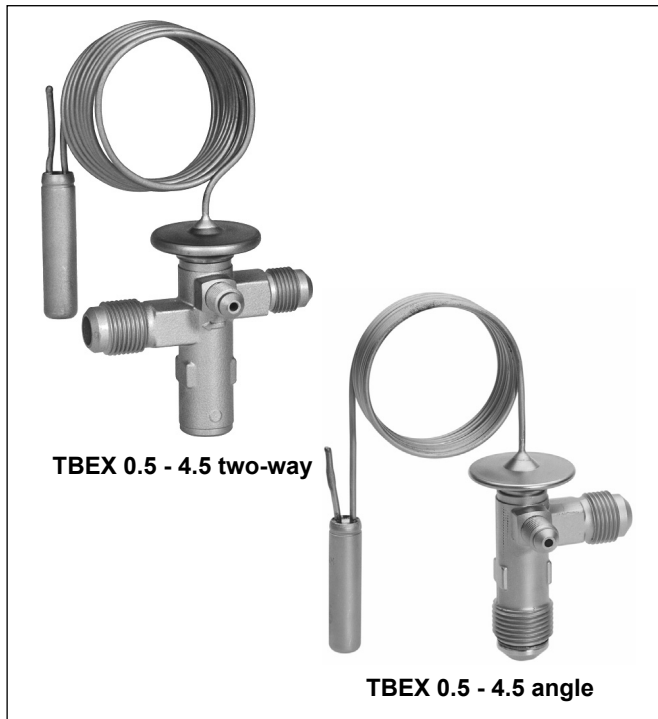




Series TBE

THERMOSTATIC EXPANSION VALVES FIXED ORIFICE, FLARE CONNECTIONS

PRODUCT DATA



Features

- **TBE:** with internal pressure equalisation; for single injection in installations with one or more cooling circuits.
- **TBEX:** with external pressure equalisation; for optimal evaporation effectiveness in all applications. Obligatory for multiple injection by liquid distributors.
- **Combi adsorber charge as standard**
 - The same valve can be used for different refrigerants (see table on page 2)
 - Controller charge is high sensitive and responsive thus lowest possible level of superheat can be achieved
 - Charge is not sensitive to effects of temperature on the capillary tube and valve head
 - damping characteristic results in stable control behaviour
- **Optional available with gas charge and MOP**
- **Adjustable superheat for two-way construction**
- **Fixed superheat setting for angle construction**
- **Warm thermal head provides best reliability**
- **Flare connections**
- **Extreme durable due to stainless steel head and stainless steel diaphragm welded using protective gas**
- **Fixed orifice**
- **Refrigerants: R134a, R401A, R12, R22, R407C, R407A, R422D, R404A, R507A, R402A, R407B, R502**
Further refrigerants on request.

Application

Thermostatic expansion valves series TBE are used in plants with one or more refrigerant circuits, especially for series installations mobile air-conditioning and cooling units with flare connection, e. g. bus AC, train AC, transport cooling.

Materials

Body	brass
Thermal head	stainless steel
Connections	brass

Specification

Nominal capacity range	0.99 to 17.0 kW R22 (small orifice graduation for optimal control behaviour)
Evaporating temperature range	see table on page 2
Maximum pressure PS	see table on page 2
Maximum test pressure PF	see table on page 2
Max. ambient temperature	100 °C
Max. bulb temperature	140 °C
Static superheat	approx. 3 K
Length of capillary tube	1.5 m
Bulb diameter	12 mm

Thermal Charges and Temperature Ranges

1. Adsorber charge

Refrigerant	Evaporation temperature range	PS (bar(a))	PF (bar(a))
R134a, R401A, R12	+15 °C to -30 °C	34	37.4
R22, R407C, R407A, R422D	+15 °C to -45 °C	36	39.6
R404A, R507A, R402A, R407B, R502	±0 °C to -50 °C	36	39.6

Further refrigerants on request.

Thermal systems with adsorber charge are completely insensitive to effects of temperature on the capillary tube and valve head. It reacts only according to the temperature of the bulb.

Thus, Honeywell Home TBE(X) valves with combi adsorber charge work absolutely reliable, even in icy condition or while defrosting using hot gas.

2. Adsorber charge with pressure limiting performance (MOP)

Refrigerant	Evaporation temperature range	MOP	PS (bar(a))	PF (bar(a))
R134a, R401A, R12	+5 °C to -30 °C	MOP A +15 °C	34	37.4
	-10 °C to -30 °C	MOP A ±0 °C	29	31.9
R22, R407C, R407A, R422D	+5 °C to -45 °C	MOP A +15 °C	36	39.6
	-10 °C to -45 °C	MOP A ±0 °C	29	31.9
	-27 °C to -45 °C	MOP A -18 °C	29	31.9
R404A, R507A, R402A, R407B, R502	-10 °C to -50 °C	MOP A ±0 °C	36	39.6
	-20 °C to -50 °C	MOP A -10 °C	34	37.4
	-27 °C to -50 °C	MOP A -18 °C	34	37.4

Further refrigerants and MOP on request

3. Gas charge

Refrigerants and MOP on request.

With gas charged valves and MOP it is under all operating conditions necessary that the bulb is always colder than the capillary tube and the thermal head!

With the Honeywell Home TBE series the thermal head is heated advantageously by the liquid refrigerant. The warm thermal head is on the safe side at any time.

Capacities

Type	Orifice size	Nominal capacity (kW)*					
		R134a	R22	R407C	R422D	R404A	R507A
TBE TBEX	0.5	0.69	0.99	0.95	0.67	0.68	0.69
	0.7	1.0	1.4	1.3	0.92	0.97	0.98
	1.0	1.4	2.0	1.9	1.3	1.4	1.4
	1.5	2.2	3.2	3.1	2.2	2.2	2.3
	2.0	2.9	4.0	3.9	2.7	2.8	2.9
	2.5	4.0	5.8	5.6	3.9	4.1	4.1
	3.0	6.6	9.3	8.9	6.3	6.5	6.6
	3.5	8.7	12.2	11.7	8.3	8.6	8.7
4.5	11.8	17.0	16.4	11.3	12.0	12.1	

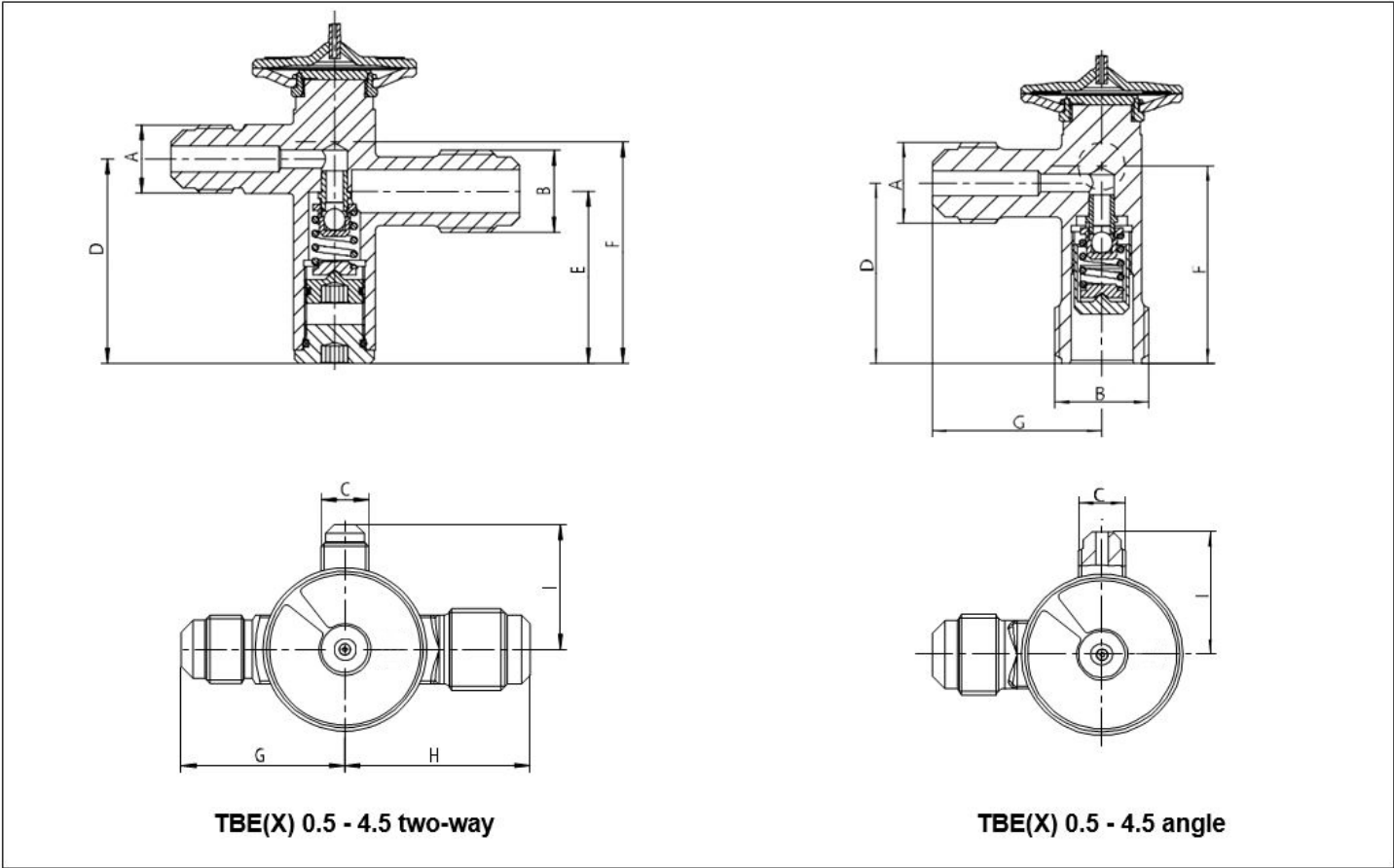
* Capacities are based on $t_0 = +4$ °C, $t_c = +38$ °C and 1 K subcooled liquid refrigerant entering the valve.

For other operating conditions see capacity charts in Honeywell Home catalogue or consult the Honeywell Home software.

Dimensions and Weights

Type	Connections			Dimensions (mm)						Weight (kg)
	Inlet (A)	Outlet (B)	Pressure equalisation (C)	D	E	F	G	H	I	
Two-way construction	5/8" UNF	3/4" UNF	7/16" UNF	47.5	40	51.5	38	43	29	approx. 0.34
Angle construction	3/4" UNF	7/8" UNF	7/16" UNF	42.5	-	46.5	40	-	29	approx. 0.34

Connection = size of UNF thread



Type Code / Order Information

	TBE	X	4.5	R134a	MOP A +15 °C	5/8" x 3/4"	D
Series							
Pressure equalisation: X = external () = internal							
Orifice size							
Refrigerant							
Charge type, MOP, evaporation temperature range							
Flare connection UNF (inlet x outlet)							
D = two-way construction W = angle construction							

Installation

- The valves may be installed in any position.
- The external pressure equaliser line (TBEX) should be 6 mm or 1/4" in diameter and is to be connected downstream of the remote bulb. An overbowl is recommended in order to prevent the ingress of oil into the equaliser line.
- The bulb should preferably be positioned on the upper half of a horizontal suction line but never after a liquid trap. As a general rule, bulbs of expansion valves should be insulated to prevent them being affected by the ambient temperature.
- When tightening flare nuts of the flare connections grip at wrench flats on the valve body.
- Do not bend or squeeze the bulb when tightening the bulb clamp!
- Constructive modifications at the valve are not allowed.

Information for original equipment manufacturers:

The valve series TBE can be customised to the requirements of your series device in an optimum way. Contact us!

Superheat Adjustment (Two-way Valve)

In general the Honeywell Home valves should be installed with the factory setting for the used refrigerant unaltered. This superheat adjustment is calibrated for lowest superheating and optimum evaporator utilisation. However, should it be necessary to adjust the superheat, turn the adjusting spindle as follows:

Turning clockwise	=	reduced refrigerant mass flow, increase of superheat
Turning counterclockwise	=	increased refrigerant mass flow, decrease of superheat

One turn of adjusting spindle alters superheat setting by approx. 0.25 bar. Increase of superheat setting results in a lower MOP-value and vice versa.

With TBEX angle construction there is no superheat setting in built-in condition possible, use factory setting.