



Braukmann BA300

Backflow Preventer
with flanged connections

APPLICATION

Backflow preventers of this type are suitable for the protection of drinking water systems against back pressure, backflow and back syphonage.

Fluids up to and including liquid category 4 to EN 1717 are protected.

They can be used for residential buildings, industrial and commercial purposes within the scope of their specification. The powder-coated ductile iron housing provides increased corrosion protection.

APPROVALS

- DVGW
- BELGAQUA
- NF
- KIWA
- WRAS
- SVGW
- VdS (BA300-80ZVDS)
- VA-ETA

SPECIAL FEATURES

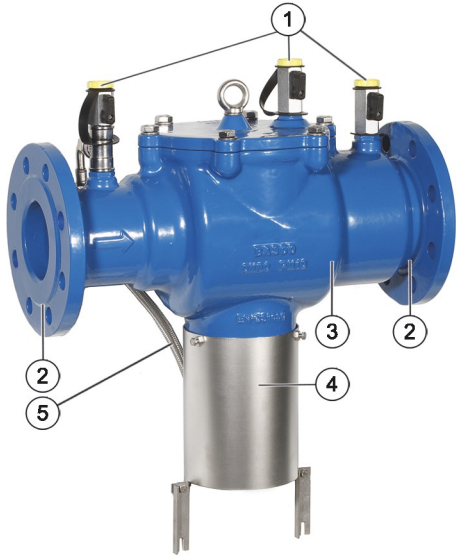
- Optimal protection of the drinking water supply system
- Easy access to all internal components
- Powder-coated inside and outside - Powder used is physiologically and toxicologically safe
- Easy Maintenance due to optimized construction
- Triple security - two check valves and a discharge valve separate the backflow preventer into three pressure zones
- Few individual parts
- Light weight
- Standardised discharge connection
- ACS certified
- All materials are KTW approved
- Approved by OTH (Hungary)



TECHNICAL DATA

Media	
Medium:	Drinking water
Connections/Sizes	
Connection size:	DN65 - DN200
Discharge pipe connection:	DN150
Pressure values	
Min. inlet pressure:	1.5 bar
Max. operating pressure:	10 bar
Operating temperatures	
Max. operating temperature medium:	65 °C (WRAS 60 °C)
Specifications	
Installation position:	Horizontal with discharge valve downwards

CONSTRUCTION

Overview	Components	Materials
	1 Three ball valves for the connection of a differential pressure gauge	Brass
	2 Inlet/Outlet check valves	Stainless Steel
	3 Housing	Ductile iron, powder-coated with polyamide
	4 Discharge valve	CW626N with stainless steel seat
	5 Pressure control line	Polyethylene with stainless steel braid (BA300-80ZVDS stainless steel)
Not depicted components:		
	Diaphragm	EPDM
	Sealing washers	EPDM

METHOD OF OPERATION

BA type backflow preventers are divided into three pressure zones. The pressure in zone ① is higher than in zone ②, which in turn is higher than in zone ③. A discharge valve is connected to zone ② which opens at the latest when the differential pressure between zones ① and ② drops to 0.14 bar. The water from zone ② discharges to atmosphere, both check valves close and therefore separate zone ② from zone ① and ③. In this way the danger of back pressure or back syphonage into the supply network is prevented. The pipework connection is interrupted and the drinking water network is protected.

TRANSPORTATION AND STORAGE

Keep parts in their original packaging and unpack them shortly before use.

The following parameters apply during transportation and storage:

Parameter	Value
Environment:	clean, dry and dust free
Min. ambient temperature:	5 °C
Max. ambient temperature:	55 °C
Min. ambient relative humidity:	25 % *
Max. ambient relative humidity:	85 % *

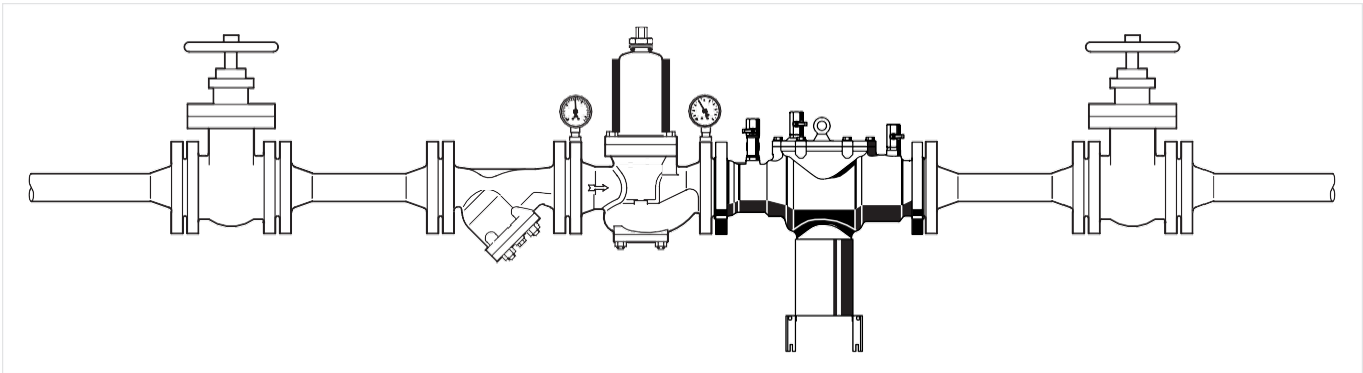
*non condensing

INSTALLATION GUIDELINES

Setup requirements

- Install shut-off valves before and after backflow preventer
- Install backflow preventer downstream of the filter or strainer
 - This protects the appliance against dirt
- Install in horizontal pipework with the discharge valve downwards
- Ensure good access
 - Simplifies maintenance and inspection
- In order to avoid flooding, it is recommended to arrange a permanent, professionally dimensioned wastewater connection
- The installation environment should be protected against frost and ventilated well
- Install discharge pipework which has adequate capacity
- These armatures need to be maintained regularly

Installation Example



Connection sizes:					
DN:	65	80	100	150	200
inch:	2 1/2"	3"	4"	6"	8"
Min. clearance above backflow preventer:	650 mm	650 mm	650 mm	650 mm	650 mm
Clearance from wall:	160 mm	160 mm	160 mm	200 mm	200 mm

TECHNICAL CHARACTERISTICS

Pressure drop characteristics

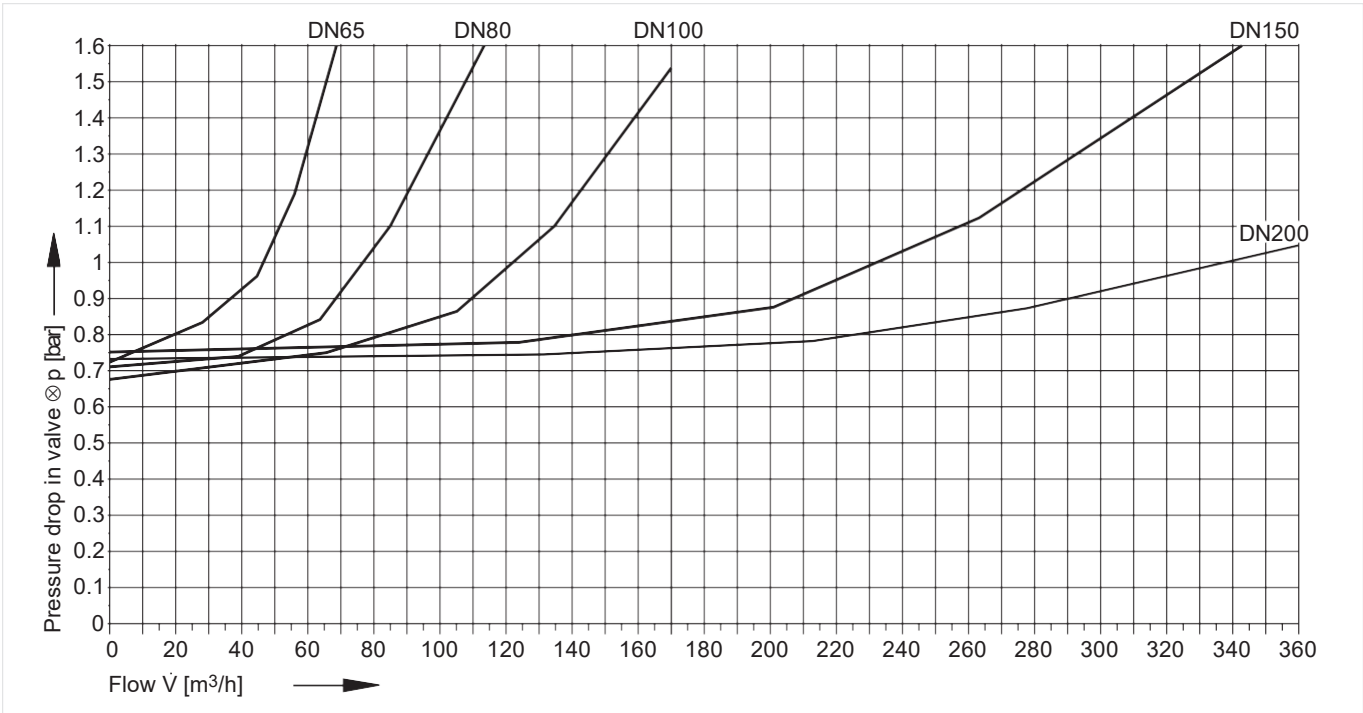
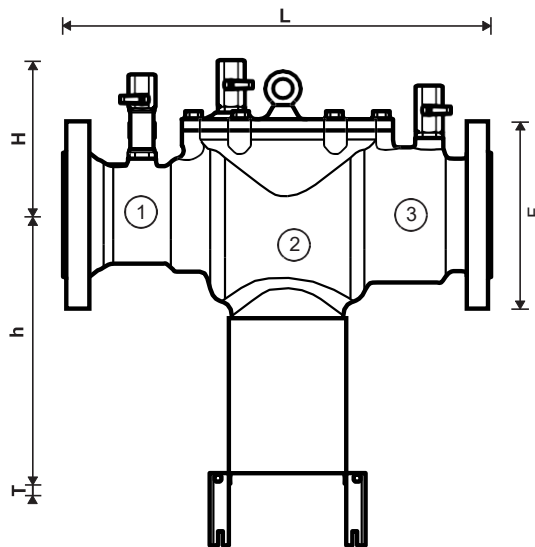


Fig. 1 Pressure drop within the valve in dependency of the flow rate and the used connection size

DIMENSIONS

Overview



Parameter		Values				
Connection sizes:	DN	65	80	100	150	200
Weight:	kg	23.9	32.7	44.6	70.9	114.1
Dimensions:	L	356	440	530	630	763
	H	157	172	190	224	259
	h	246	275	296	314	346
	T	77	77	77	77	77
	F*	185	200	220	285	340
Nominal flow rate at $\Delta p = 1.0$ bar:	m ³ /h	35.8	54.3	108	190.9	339.3
Discharge flow rates in the event of failure:	m ³ /h	35	35	35	35	35

Note: 1 to 3 see chapter Method of operation

Note: All dimensions in mm unless stated otherwise.

Note: * F = width

ORDERING INFORMATION

The following tables contain all the information you need to make an order of an item of your choice. When ordering, please always state the type, the ordering or the part number.

Options

These backflow preventers are available in the following sizes: DN65, DN80, DN100, DN150, DN200.

- standard
- not available

		BA300-...A	BA300-80ZVDS
Connection type:	Standard version, connection sizes DN65 - DN200	•	
	Connection with flanges, PN10		
	with VdS certificate VdS No.: G417057 DN80		•

Note: ... = space holder for connection size

Accessories

	Description	Dimension	Part No.
	TKA295 Test kit Analogue pressure measuring device with differential pressure display. With case and accessories, ideal for inspection and maintenance of backflow preventer type BA.		
			TKA295

Spare Parts

Backflow Preventer BA300, from 2011 onwards

Overview	Description	Dimension	Part No.
	1 Inlet check valve		
		DN65	0904052
		DN80	0904053
		DN100	0904054
		DN150	0904055
	2 Outlet check valve		
		DN65	0904057
		DN80	0904058
		DN100	0904059
		DN150	0904060
		DN200	0904061
	3 Discharge valve		
		DN65 - DN200	0904062
	4 Pressure control line		
		DN65	0904063
		DN80	0904064
		DN80*	0904073
		DN100	0904065
		DN150	0904066
		DN200	0904067
	5 Sealing set		
		DN65	0904068
		DN80	0904069
		DN100	0904070
	DN150	0904071	
	DN200	0904072	
6 Retaining Clip and Ring			
	DN65	0904192	
	DN80	0904193	
	DN100	0904194	
	DN150	0904195	
	DN200	0904196	

* VdS Version