

## Braukmann BA295D-1/2ASC

### Backflow Preventer

rotatable, with integrated shut-off facility, chrome-plated

#### APPLICATION

Backflow preventers of this type are suitable for the protection of drinking water systems against back pressure, backflow and back syphonage.

They are used to protect taps.

Fluids up to and including liquid category 4 to EN 1717 are protected.

#### APPROVALS

- DVGW

#### SPECIAL FEATURES

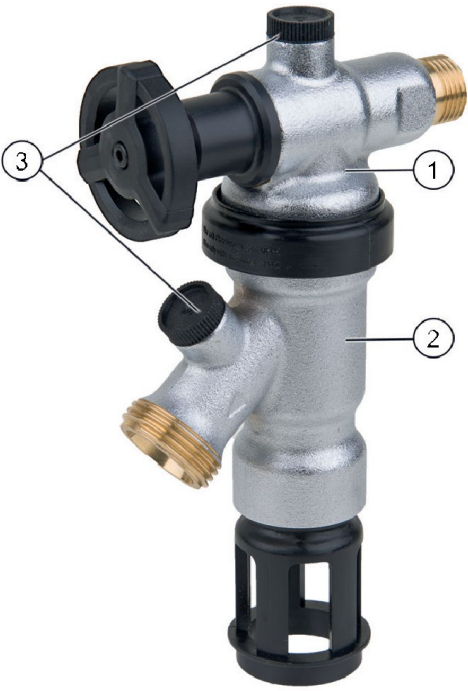
- High speed maintenance: replacement kit, all BA functional parts in one housing, replacement/maintenance without timeconsuming test procedure
- High speed installation: easy and quick installation/retrofit
- Due to integrated shut-off facility installation directly into the pipework possible
- Optimized outlet position, thereby bending of the connected flexible tube is prevented
- Integrated inlet strainer
- Optimal protection of the drinking water supply system
- Inlet check valve and discharge valve are combined in one cartridge
- Rotatable housing - connection always in the right position
- Minimal maintenance required, because the valve cartridge is completely replaceable
- Low maintenance effort, because the strainer and the valve cartridge are completely replaceable without draining the system
- Optimized design prevents water stagnation in normal operation
- Compact construction
- Low pressure loss and high flow rate
- Triple security - two check valves and a discharge valve separate the backflow preventer into three pressure zones
- Meets KTW regulations for drinking water



#### TECHNICAL DATA

<b>Media</b>	
Medium:	Drinking water
<b>Connections/Sizes</b>	
Connection size:	1/2"
Discharge pipe connection:	DN40
<b>Pressure values</b>	
Inlet pressure:	1.5 bar - 10 bar
<b>Operating temperatures</b>	
Max. operating temperature medium:	65 °C
<b>Specifications</b>	
Installation position:	Vertical with discharge valve downwards

## CONSTRUCTION

Overview	Components	Materials
	<b>1</b> Upper housing part with integrated shut-off facility and test socket incl. plug	Dezincification-resistant brass, chrome-plated
	<b>2</b> Complete tested replacement unit with <ul style="list-style-type: none"> <li>Rotatable lower housing part with test socket incl. plug</li> <li>Strainer (mesh size 0.5 mm)</li> <li>Valve cartridge with integral check valve and discharge valve</li> <li>Outlet check valve</li> <li>Retaining clip</li> <li>Seal brackets</li> </ul>	High-quality synthetic material valve cartridge, high-grade synthetic material check valve
	<b>3</b> Two test sockets (third is integrated in the blind plug of the optionally available maintenance set WS295STN)	High-quality synthetic material
	<b>Not depicted components:</b>	
	Threaded adapter	Dezincification-resistant brass, chrome-plated
	Sealing elements	Elastomer materials suitable for drinking water

## METHOD OF OPERATION

BA type backflow preventers are divided into three pressure zones. The pressure in zone ① is higher than in zone ②, which in turn is higher than in zone ③. A discharge valve is connected to zone ② which opens at the latest when the differential pressure between zones ① and ② drops to 0.14 bar. The water from zone ② discharges to atmosphere, both check valves close and therefore separate zone ② from zone ① and ③. In this way the danger of back pressure or back syphonage into the supply network is prevented. The pipework connection is interrupted and the drinking water network is protected.

## TRANSPORTATION AND STORAGE

Keep parts in their original packaging and unpack them shortly before use.

The following parameters apply during transportation and storage:

Parameter	Value
Environment:	clean, dry and dust free
Min. ambient temperature:	5 °C
Max. ambient temperature:	55 °C
Min. ambient relative humidity:	25 % *
Max. ambient relative humidity:	85 % *

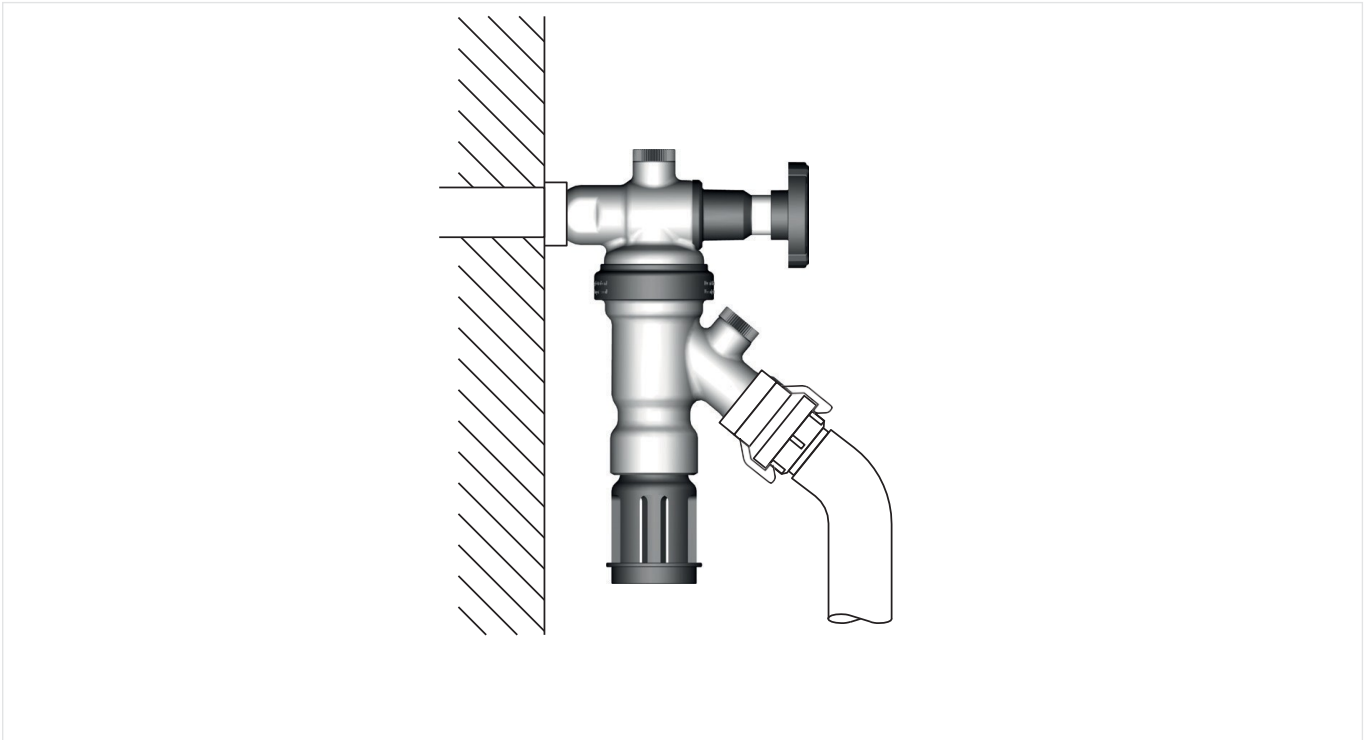
\*non condensing

## INSTALLATION GUIDELINES

### Setup requirements

- Direct installation to 1/2" wall socket with discharge connection downwards
- Backflow preventers of this type have an integral strainer which protects the device from the ingress of dirt. With highly polluted water a fine filter should be installed upstream to ensure the correct function of the device
- The installation location should be protected against frost. For use on outside taps, the backflow preventer has to be dismantled if there may be danger of frost
- In order to avoid flooding, it is recommended to arrange a permanent, professionally dimensioned wastewater connection
- These armatures need to be maintained regularly

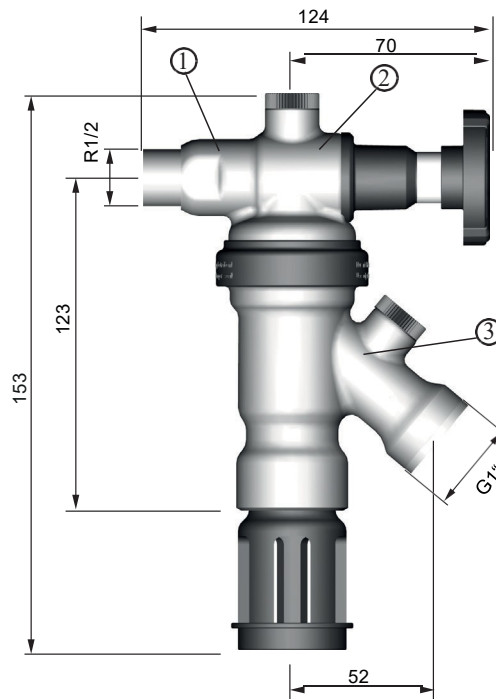
### Installation Example



Note: Wall mounted

### DIMENSIONS

#### Overview



Parameter		Values
Connection size:	G	1"
Nominal size:	R	1/2"
Weight:	kg	1.1
DVGW registration number:		NW-6373CQ0046

Note: All dimensions in mm unless stated otherwise.

## ORDERING INFORMATION

The following tables contain all the information you need to make an order of an item of your choice. When ordering, please always state the type, the ordering or the part number.



### Options

The valve is available in the following sizes: 1/2".

- standard
- not available

		<b>BA295D-1/2ASC</b>
Connection type:	Standard version with R <sup>1/2</sup> " (ISO 2999) threaded connection on inlet and G1" (ISO 228-1) threaded connection on outlet, 1" IG to <sup>3/4</sup> " AG threaded adapter included, chrome-plated, discharge pipe connection	•

### Accessories

	Description	Dimension	Part No.
	<b>TKA295 Test kit</b> Analogue pressure measuring device with differential pressure display. With case and accessories, ideal for inspection and maintenance of backflow preventer type BA.		
			TKA295
	<b>WS295 Maintenance Set</b> Maintenance-set for BA295STN and BA295D type backflow preventers for use with Test kit TK295 resp. TKA295		
			WS295STN

**Spare Parts**

Backflow preventer BA295D-1/2ASC, from 2013 onwards

Overview	Description	Dimension	Part No.
	<b>1 Replacement unit</b>		
	<b>2 Strainer</b>		S295D
	<b>3 Cartridge insert complete</b>	1/2"	0903733
	<b>4 Check valve insert</b>	1/2"	2110200
	<b>5 Set of blanking plugs</b>		PS295STN
	<b>6 Shut-off facility</b>		AS295D
	<b>7 Seal brackets (10pcs.)</b>		PS295D
	<b>8 Retaining clip (10 pcs.)</b>		HK295D