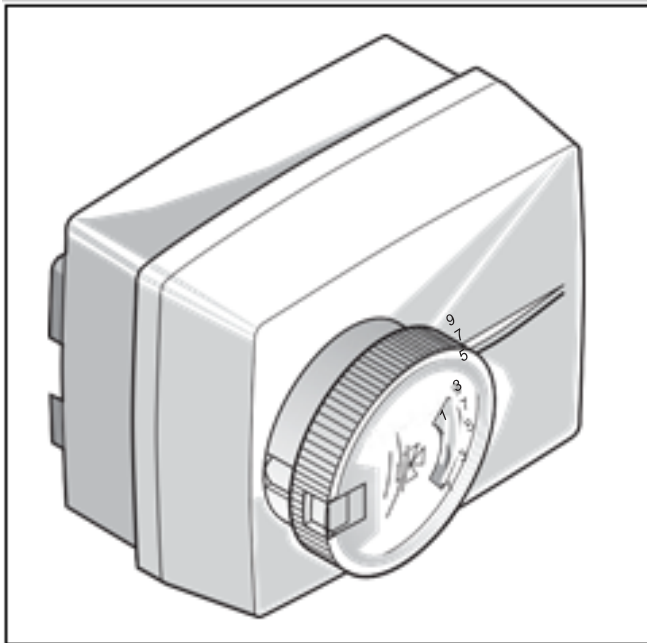




M6063

ACTUATORS

PRODUCT DATA



APPLICATION

The Honeywell Home M6063 actuators are designed to provide floating control in heating and air-conditioning systems. High control performance and rugged design are standard for these actuators.

In combination with the valves V5433A / V5442A, it is possible to control very exact heating and cooling water temperatures. The mechanical interface between actuator and valve is designed for reliable operation. For a wide range of applications, rotary valves up to DN50 are available.

FEATURES

- Protected against overload and blocking
- Maintenance-free electrical actuator for rotary valves
- Clear position indicator
- Direct mounting on rotary valves
- Manual operation
- High torque
- Pre-wired
- Long lifetime

SPECIFICATIONS M6063L AND M6063A

Type	M6063L 1009	M6063L 4003	M6063A 1003	M6063A 4007
Auxiliary switch	—	250 Vac, 3 (1) A	—	250 Vac, 3 (1) A
Power supply	230/240 Vac	230/240 Vac	24 Vac	24 Vac
Power consumption	3 VA	3 VA	3 VA	3 VA
Control signal	230/240 Vac floating	230/240 Vac floating	24 Vac floating	24 Vac floating
Angle of rotation	90°	90°	90°	90°
Run time	100s / 90°	100s / 90°	100s / 90°	100s / 90°
Nominal torque	7 Nm	7 Nm	7 Nm	7 Nm
Protection standard according to EN 60529	IP 44	IP 44	IP 44	IP 44
Insulation class according to EN 60730	II	II	II	II
Ambient temperature for operation	0 – 60°C	0 – 60°C	0 – 60°C	0 – 60°C
Water temperature range in the valve	2 – 110°C	2 – 110°C	2 – 110°C	2 – 110°C
Relative humidity	non-condensing	non-condensing	non-condensing	non-condensing
Weight	0,5 kg	0,6 kg	0,5 kg	0,6 kg

SUITABLE VALVES

Three-way rotary valve V5433A, four-way rotary valve V5442A.

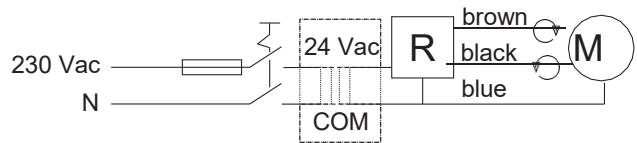
OPERATION

The actuators are powered by a synchronous motor. The spindle rotates through a range of 90°. The motor is switched off in the end position by end switches. The manual operation declutches the valve from the gear.

No adjustment necessary. The actuators are maintenance-free.

ELECTRICAL INSTALLATION

The actuators are prewired.



Power supply:

Blue: N (COM in case of 24 Vac)

Brown: Clockwise action

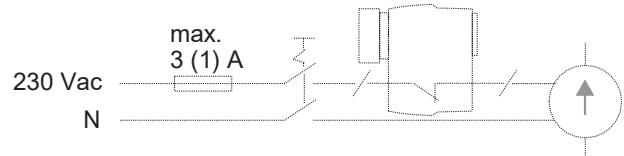
Black: Counterclockwise action

Fuse and switch are to be realized according to country specific instructions!

Actuator alternative with auxiliary switches:

Technical specifications of auxiliary switches: 250 Vac, 3 (1) A

Auxiliary switches enable the actuator to switch off external devices like circulation pumps, blowers and indicator lights at its mechanical end positions.

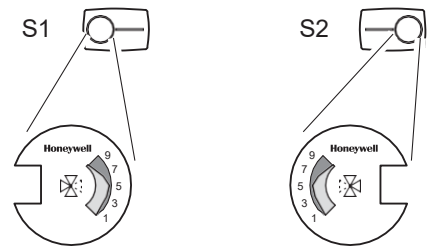


Connection:

Black and grey: Switch **S1** (contact opened by end stop left)

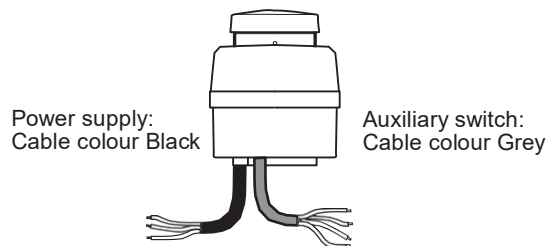
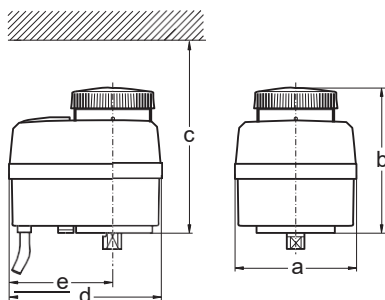
Brown and pink: Switch **S2** (contact opened by end stop right)

Whether to select switch **S1** or **S2** depends on the mounting position of the rotary valve and the actuator (additional mixing from left or right side).



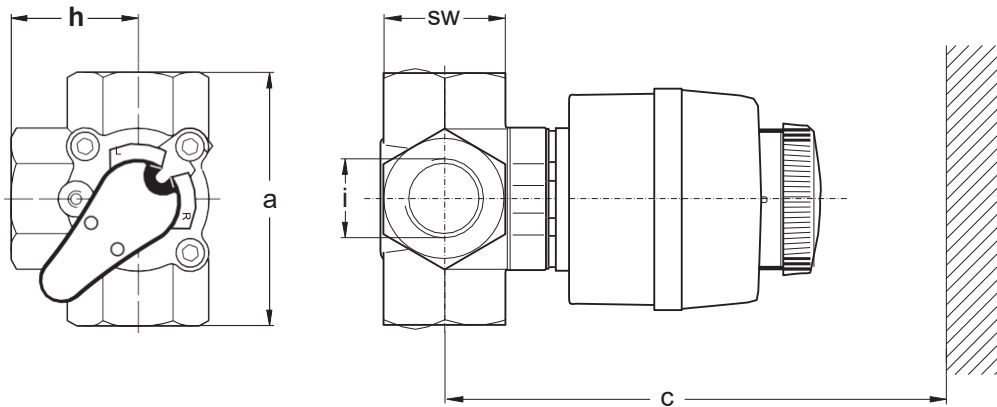
ORDER NUMBER, DIMENSIONS

OS number	power supply	auxiliary switch	a [mm]	b [mm]	c [mm]	d [mm]	e [mm]
M6063L 1009	230/240 Vac floating	—	81	97	300	101	69
M6063L 4003	230/240 Vac floating	X	81	97	300	101	69
M6063A 1003	24 Vac floating	—	81	97	300	101	69
M6063A 4007	24 Vac floating	X	81	97	300	101	69



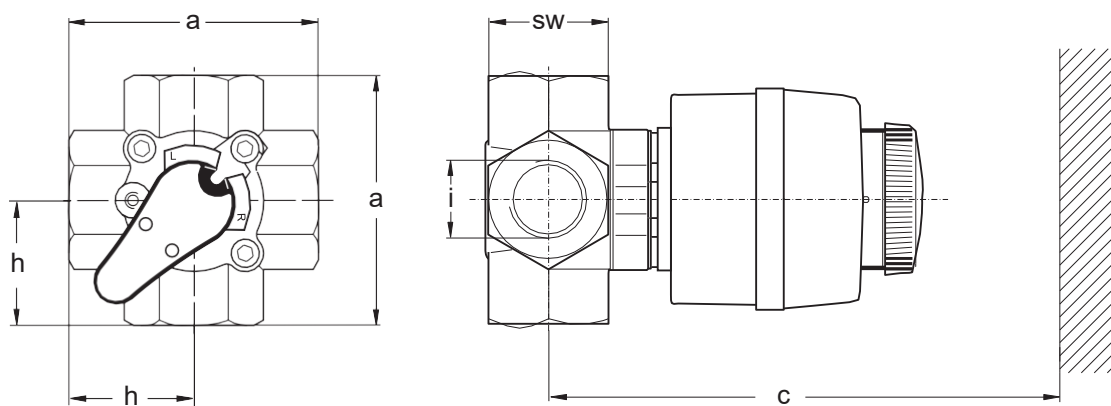
Dimensions with V5433A

OS Number	kvs []	i [inch]	a [mm]	c [mm]	SW [mm]	h [mm]
V5433A 1015	2.5	R 3/4	85	340	41	42.5
V5433A 1023	4.0	R 3/4	85	340	41	42.5
V5433A 1031	6.3	R 3/4	85	340	41	42.5
V5433A 1049	10	R 1	105	345	46	52.5
V5433A 1056	16	R 5/4	105	350	55	52.5
V5433A 1064	25	R 1 1/2	115	355	65	57.5
V5433A 1072	40	R 2	120	365	80	60.0



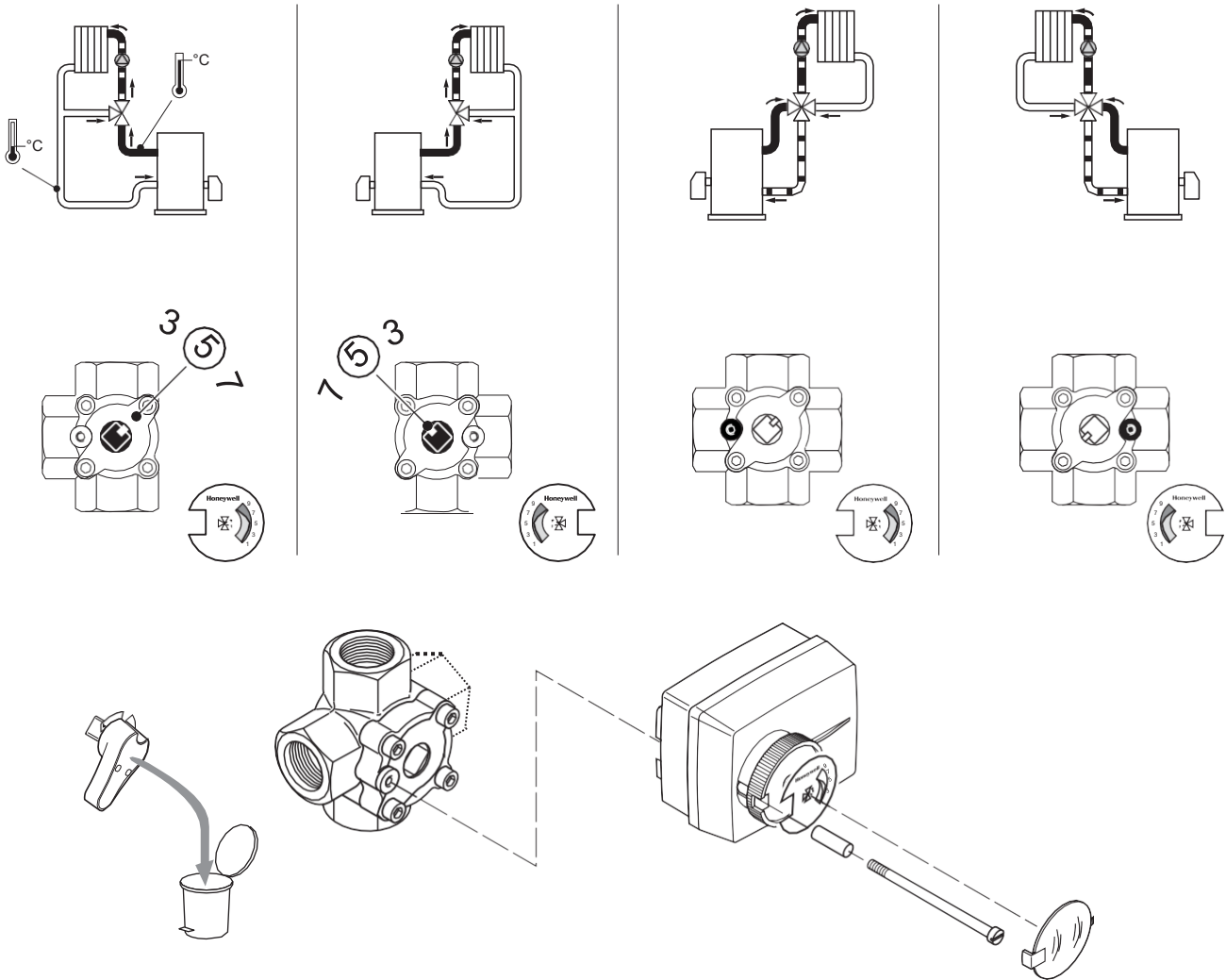
Dimensions with V5442A

OS Number	kvs []	i [inch]	a [mm]	c [mm]	SW [mm]	h [mm]
V5442A 1022	4	R 3/4	85	340	41	42.5
V5442A 1030	6.3	R 3/4	85	340	41	42.5
V5442A 1048	10	R 1	105	345	46	52.5
V5442A 1055	16	R 5/4	105	350	55	52.5



MOUNTING ON THE VALVE

Before mounting the actuator, position the rotary valve according to its installation instructions.



www.resideo.com

Ademco 1 GmbH
Hardhofweg 40
74821 Mosbach
Phone: +49 1801 466 388
info.de@resideo.com
homecomfort.resideo.com

@2020 Resideo Technologies, Inc. All rights reserved. The Honeywell Home trademark is used under license from Honeywell International Inc. This product is manufactured by Resideo Technologies, Inc and its affiliates.

Honeywell Home