



Braukmann VB550

Stop-Ball

Brass ball valve

APPLICATION

Stop-Ball ball valves are used as shut-off valves in hydronic heating and cooling systems. The straight body design enables easy operation, even when installed at places difficult to reach.

SPECIAL FEATURES

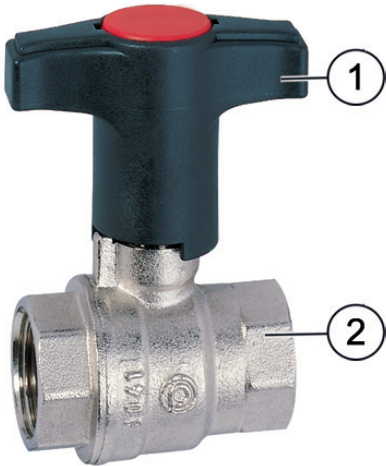
- Valve body made of brass
- High flow rates
- Easy operation due to straight body design
- Available from DN15 to DN50



TECHNICAL DATA

Media	
Medium:	Water or water-glycol mixture, quality to VDI 2035
Pressure values	
Max. operating pressure:	max. 16 bar (232 psi)
Operating temperatures	
Water:	2 - 130 °C (36 - 266 °F)
Water-glycol mixtures:	2 - 110 °C (36 - 230 °F)
Connections/Sizes	
Nominal size:	DN15 - DN50

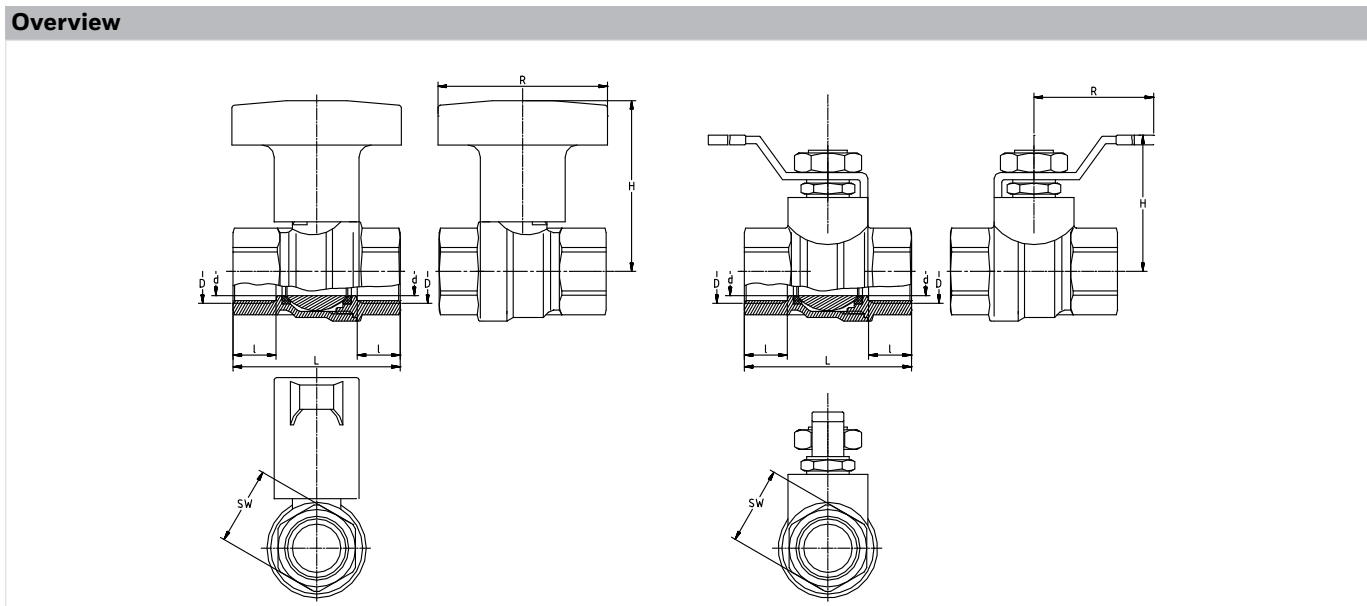
CONSTRUCTION

Overview	Components	Materials
	1 Hand lever/spindle assembly	Spindle made of brass with sealing ring made of PTFE, O-ring made of Viton and brass packing Lever for DN15-DN32 made of plastic, for DN40 and DN50 made of rubber-coated steel
	2 Valve housing with internal threads to ISO 228-1	Brass
	Not depicted components:	
	Ball with sealing	Hard chrome-plated brass, with sealing rings made of PTFE

METHOD OF OPERATION

Ball valves have a ball with a bore hole inside the valve housing. When the valve is open the medium flows through this bore. When the valve is closed by turning the lever by 90° the ball is turned accordingly. The valve opening is closed as the bore then lies crosswise to the valve opening. The pipeline is shut-off.

DIMENSIONS



DN (=d)	kvs(Cvs)-value	D	H	I	L	R	SW	O.S. no.
15	14.8 (17.3)	G 1/2"	69	12.0	49.5	80	27	VB550Y0015
20	36.0 (42.1)	G 3/4"	74	13.0	58.0	80	32	VB550Y0020
25	70.0 (81.9)	G1"	80	14.0	68.0	80	41	VB550Y0025
32	112.0 (131.0)	G1 1/4"	85	16.5	81.0	80	50	VB550Y0032
40	202.0 (236.0)	G1 1/2"	82	17.5	93.5	150	55	VB550Y0040
50	288.0 (337.0)	G2"	89	19.0	109.0	150	70	VB550Y0050

Note: All dimensions in mm unless stated otherwise.



Manufactured for and on behalf of
 Pittway Sàrl, Z.A., La Pièce 4,
 1180 Rolle, Switzerland

For more information
homecomfort.resideo.com/europe

Ademco 1 GmbH, Hardhofweg 40,
 74821 MOSBACH, GERMANY

Phone: +49 6261 810
 Fax: +49 6261 81309