

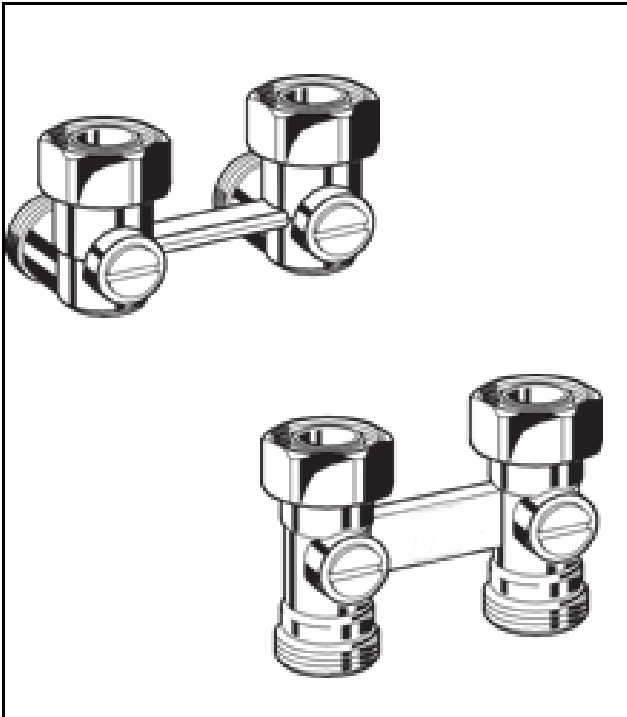


V2495

Verafix-VKE

H-BLOCK FOR COMPACT RADIATORS

PRODUCT DATA



Design

The Verafix-VKE consists of:

- Straight valve body for floor connection or angle valvebody for wall connection
- Ball valve insert
- Radiator connection nuts
- Universal externally threaded connections (Eurotaper connections) suitable for copper, precision steel tube, plastics and composite tube (see accessories forexternal thread fittings)

Materials

- Hot-forged brass body
- Brass nickel ball valve insert
- EPDM O-ring sealings
- Brass union connections
- Brass radiator connection nuts
- Seat sealings PTFE
- EPDM seals

Application

The Verafix-VKE is an lockshield valve for compact radiators with connection centres of 50 mm. It is used on two-pipe systems with radiators which have integral valves to regulate and shut-off individual radiators.

Verafix-VKE is suitable for hot water heating systems.

Verafix-VKE with 1/2" internal threads are suitable for radiators which include the following makes:

Bemm	Finimétal	Northor	Superia
Concept	Ferrolì	Purmo	Thor
Dia-Norm	Henrad	Radson	VEHA
Dia-therm	Korado	Schäfer	Vogel & Noot
Dura	Manaut	Stelrad	

Verafix-VKE with 3/4" external threads are suitable for radiators which include the following makes:

Baufa	Buderus	Kermi	Ribe
Brötje	De Longhi	Reusch	RIOPanel
Brugman			

Features

- **Optional flow direction. Performance values apply for both directions of flow**
- **Robust brass housing**
- **Connection on pipework side 3/4" external thread for copper, soft steel, plastic and composite pipes**
- **Connectors on radiator side 3/4" external thread with conus**

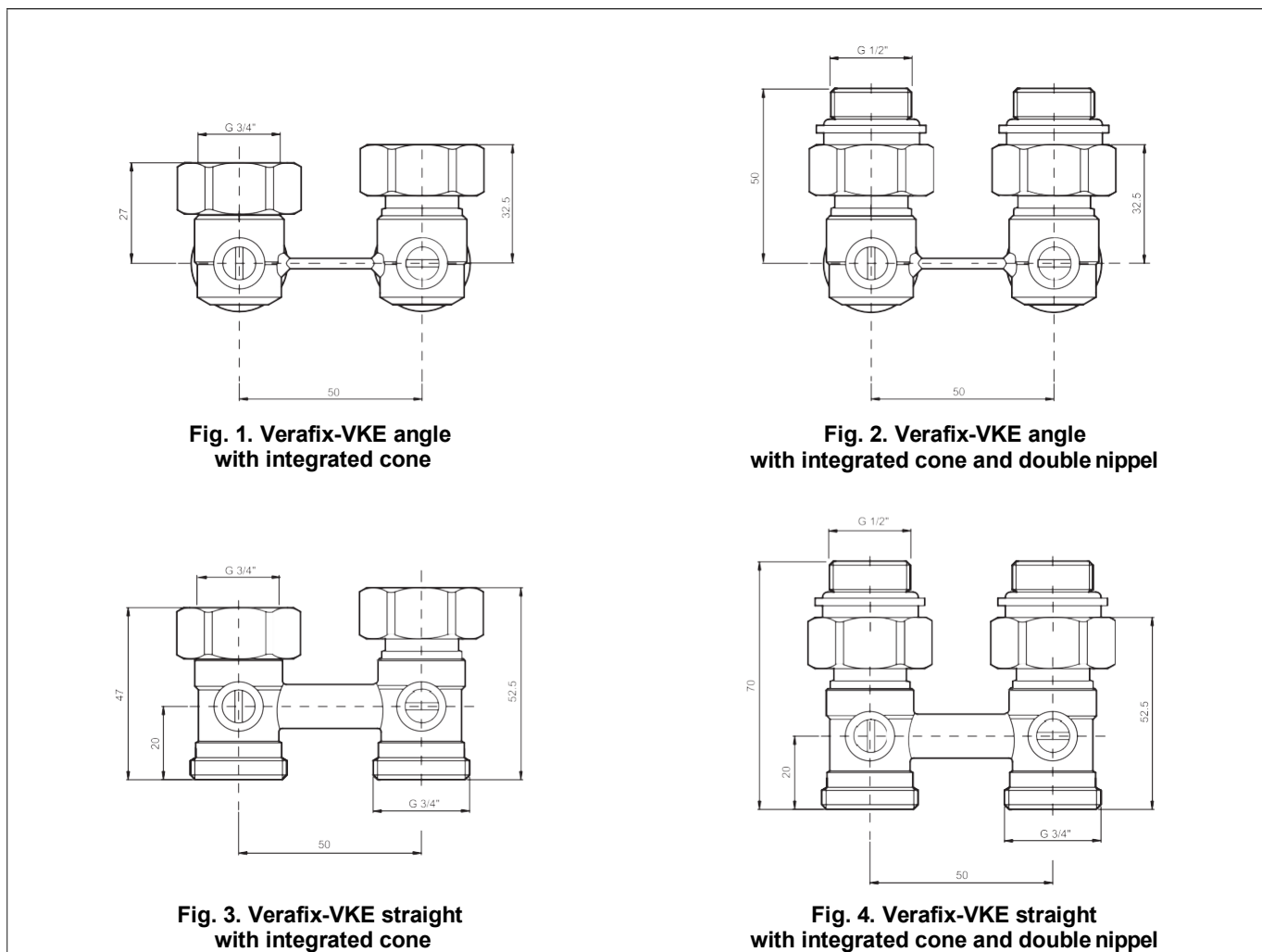
Specifications

Medium	Water
ph-value	8...9.5
Operating temperature	max. 120°C (248°F)
Operating pressure	max. 10.0bar (145psi)
k_{vs} (c_{vs})-value	
Straight	3.5
Angle	1.8

Function

The supply and return of the radiator can be shut-off by turning the ball valve inserts of the Verafix-VKE to the horizontal position with a screwdriver. The valves are supplied set fully open.

Dimensions



NOTE: All dimensions in mm unless stated otherwise.

Ordering Information

Table 1. Dimensions and OS-Nos (OS=Ordering System)

Type	Pipe connection	Radiator connection	DN	$k_{vs}(C_{vs})$ -value	OS-No.
Angle (wall connection) integrated cone	3/4" external	3/4" external	15	1.8	V2495EX020A
Angle (wall connection) integrated cone and double nipple	3/4" external	1/2" internal	15	1.8	V2495EY015A
Straight (floor connection) integrated cone	3/4" external	3/4" external	15	3.5	V2495DX020
Straight (floor connection) integrated cone and double nipple	3/4" external	1/2" internal	15	3.5	V2495DY015

Accessories

Compression fitting for COPPER and STEEL pipe.
 Consisting of one-piece (preassembled) nut.
 Soft sealing connection.
 For valves with external thread G3/4".



Connection	Pipe dimension	Part number	Pcs/ pack
G3/4"	10 mm	FEG3/4CS10	1
G3/4"	12 mm	FEG3/4CS12	1
G3/4"	14 mm	FEG3/4CS14	1
G3/4"	14 mm	FEG3/4CS14-10	10
G3/4"	15 mm	FEG3/4CS15	1
G3/4"	15 mm	FEG3/4CS15-10	10
G3/4"	16 mm	FEG3/4CS16	1
G3/4"	18 mm	FEG3/4CS18	1

NOTE: Reinforcing insert for copper or soft steel pipe with 1,0 mm wall thickness not required.
 Max. operating temperature 90°C, max. operating pressure 10 bar.

Compression fitting for PEX pipe.
 Consisting of one-piece (preassembled) nut and reinforcing insert.
 Soft sealing connection.
 For valves with external thread G3/4".



Connection	Pipe dimension	Part number	Pcs/ pack
G3/4"	12x1,1 mm	FEG3/4P12X1.1	1
G3/4"	16x1,5 mm	FEG3/4P16X1.5	1

NOTE: Max. operating temperature 90°C, max. operating pressure 10 bar.

Compression fitting for PEX and MULTILAYER pipe.
 Consisting of one-piece nut with preassembled anti-torsion elastic compression ring and one-piece reinforcing insert.

For valves with external thread G3/4".

Connection	Pipe dimension	Part number	Pcs/ pack
G3/4"	14x2 mm	FEG3/4PM14X2	1
G3/4"	16x2 mm	FEG3/4PM16X2	1
G3/4"	16x2 mm	FEG3/4PM16X2-10	10
G3/4"	16x2.2 mm	FEG3/4PM16X2.2	1
G3/4"	17x2 mm	FEG3/4PM17X2	1
G3/4"	17x2 mm	FEG3/4PM17X2-10	10
G3/4"	18x2 mm	FEG3/4PM18X2	1
G3/4"	18x2 mm	FEG3/4PM18X2-10	10
G3/4"	20x2 mm	FEG3/4PM20X2	1

NOTE: Max. operating temperature 90°C, max. operating pressure 10 bar.

Double nipple (2 pcs.)



for all V2495

VS3295A015

Installation example

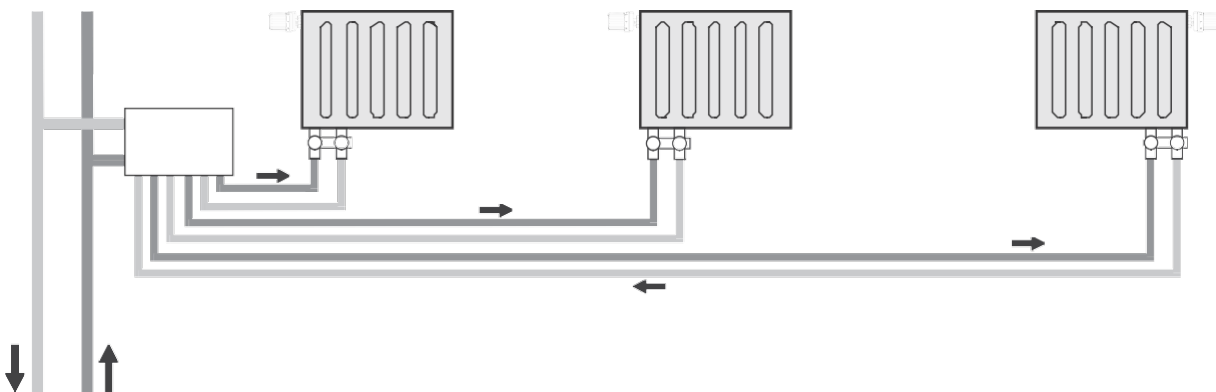
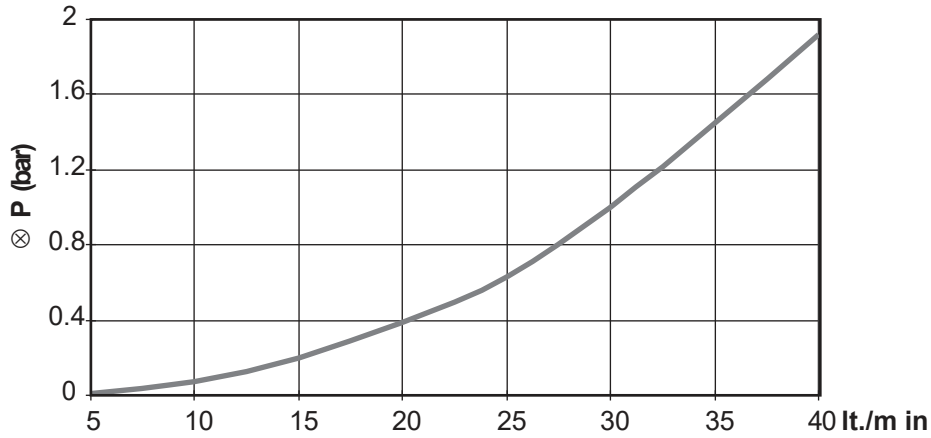


Fig. 5. Two-pipe system with distribution manifold and Verafix-VKE

Please note:

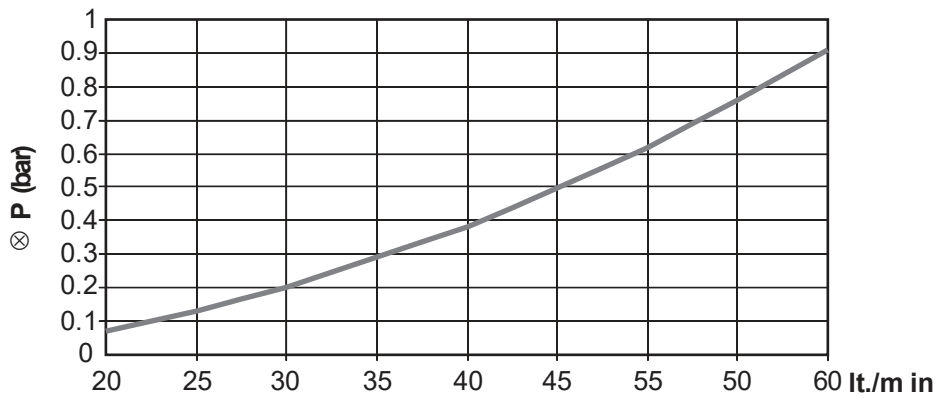
- To avoid stone deposit and corrosion the composition of the medium should conform with VDI-Guideline2035
- Additives have to be suitable for EPDM sealings
- System has to be flushed thoroughly before initial operation with all valves fully open
- Any complaints or costs resulting from non-compliance with above rules will not be accepted by Honeywell Home
- Please contact us if you should have any special requirements or needs

Flow Diagram VKE2495E



lt./min	5	10	15	20	25	30	35	40
⊗p (bar)	0.01	0.07	0.20	0.39	0.63	1.00	1.45	1.92

Flow Diagram VKE2495D



lt./min	20	25	30	35	40	45	50	55	60
⊗p (bar)	0.07	0.13	0.20	0.29	0.38	0.50	0.62	0.76	0.91