



V2480 – Verafix Design

Thera Design Edition – Lockshield Valve
with High Quality Surface for Design Radiators

APPLICATION

The Thera Design Edition is particularly styled for use with design radiators. With their high class appearance they perfectly fit to all kinds of ambients.

Verafix Design lockshield valves are used to connect radiators and other heat exchangers to heating circuits of hydronic heating systems. They are installed at the return port of the radiator and offer a shut-off function to separate the radiator from the heating circuit, for example for renovating.

FEATURES

- Perfect finishing with high quality surface in chrome or white (RAL9016)
- Varius versions in angle, straight and double angle available to fit a visual appealing installation
- Including a chromed tail piece with integrated O-ring
- Presettable
- Connections for all types of pipework available

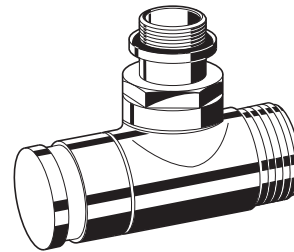
SPECIFICATIONS

Medium:	Water or glycol-water mixture, according to VDI 2035
pH-value:	8 - 9.5
Operating temperature:	2 - 130°C (36 - 266°F)
Operating pressure:	PN10
Max. differential pressure:	100 kPa (1 bar, 14.5 psi) 20 kPa (0.2 bar, 2.9 psi) recommended for quiet operation
k_{VS} (C_{VS})-value:	1.18 (1.38)

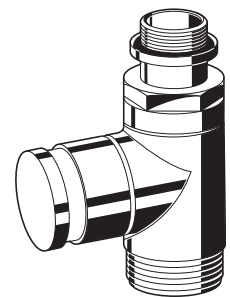
DESIGN

The Verafix design tlockshield valve consists of:

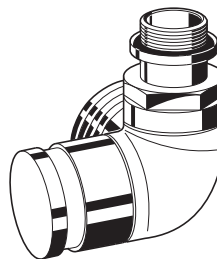
- Valve housing PN10, DN15 with
 - external thread connection on inlet
 - external thread connection with union-nut and radiator tailpiece on outlet
 - Presettable valve insert
- Protection cap



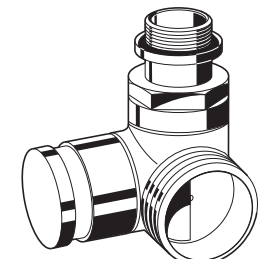
Angle



Straight



Double angle right



Double angle left

MATERIALS

- Valve housing made of brass with chrome or white (RAL 9016) surface
- Valve insert made of brass with EPDM O-rings and soft seals and stainless steel spindle
- Protection cap made of brass with chrome or white (RAL 9016) surface
- Union-nut and tailpiece made of chrome plated brass with EPDM O-ring

FUNCTION

The Verafix Design connects the return of a radiator or heat exchanger to the heating loop and has the functions regulation and shut-off.

PRESETTING

Presetting is done by opening the valve insert to the number of turns derived from the flow diagram.

Note: Factory setting of lockshield insert is closed.

PLEASE NOTE:

- To avoid stone deposit and corrosion the composition of the medium should conform with VDI-Guideline 2035
- Additives have to be suitable for EPDM sealings
- System has to be flushed thoroughly before initial operation with all valves fully open
- Any complaints or costs resulting from non-compliance with above rules will not be accepted by Honeywell Home
- Please contact us if you should have any special requirements or needs

APPLICATION EXAMPLES

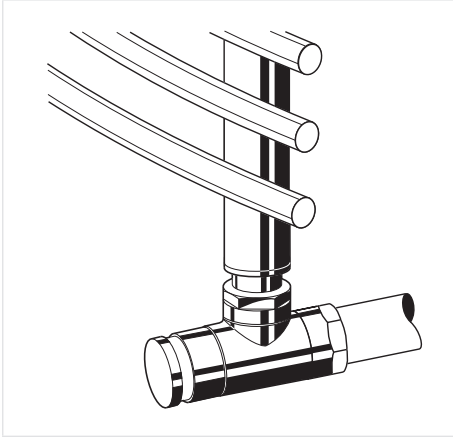


Fig 1. Angle version

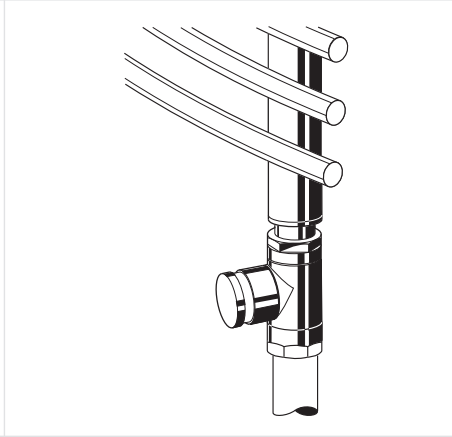


Fig 2. Straight version

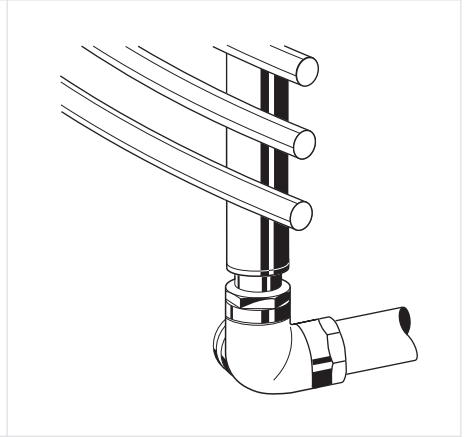


Fig 3. Double angle version

DIMENSIONS

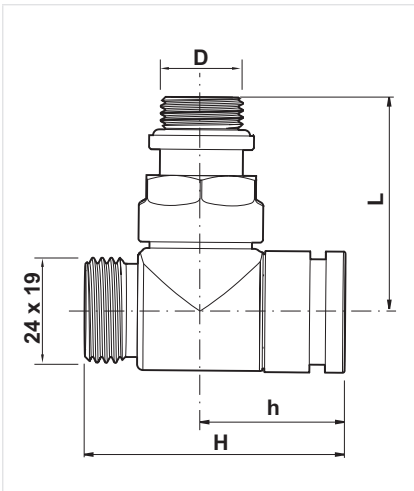


Fig. 4. Angle

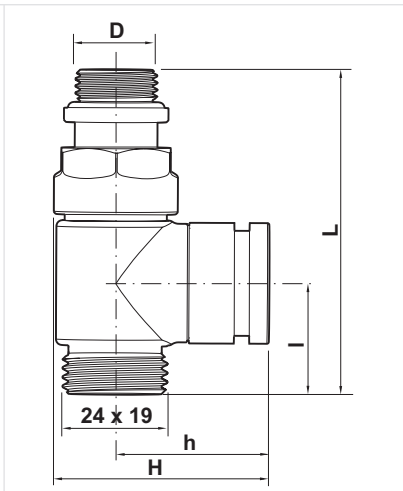


Fig. 5. Straight

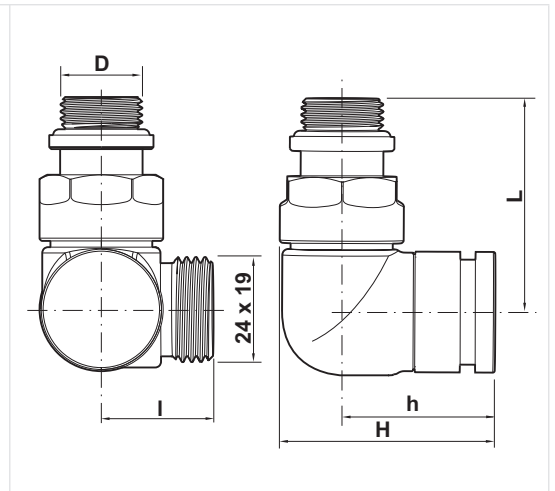


Fig. 6. Double angle

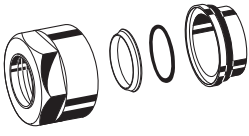
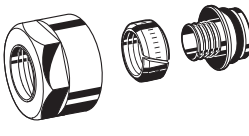


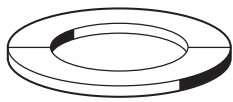
ORDERING INFORMATION

Tab. 1 Dimensions and OS-Nos (OS=Ordering System)

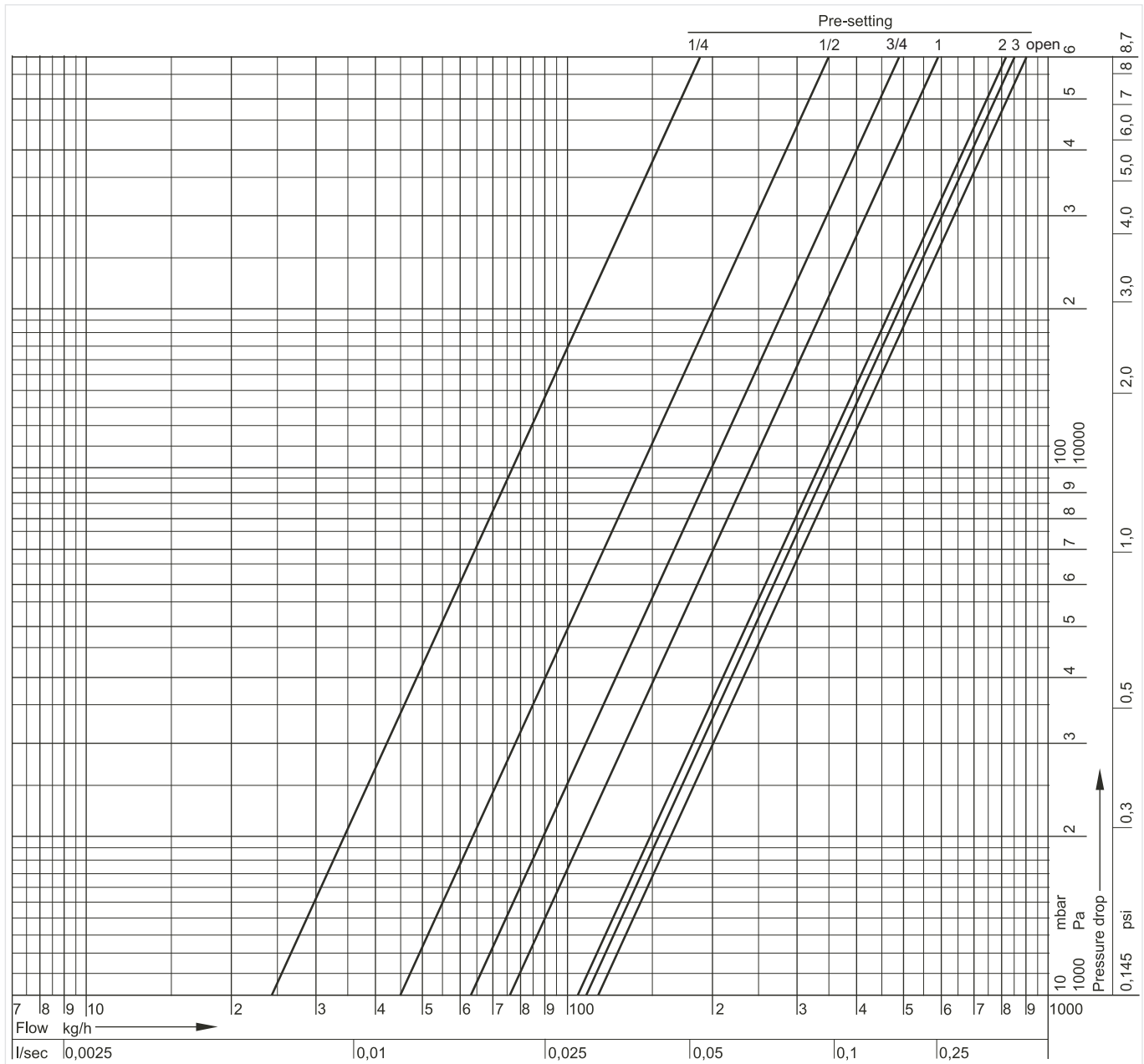
Body type	DN	k _{vs} (c _{vs})-value	l	L	h	H	D	OS-No.
White, angle	15	1.18 (1.38)	-	55	37	63	Rp 1/2"	V2481E0015
Chrome, angle	15	1.18 (1.38)	-	55	37	63	Rp 1/2"	V2482E0015
White, straight	15	1.18 (1.38)	26	81	40	55	Rp 1/2"	V2481D0015
Chrome, straight	15	1.18 (1.38)	26	81	40	55	Rp 1/2"	V2482D0015
White, double angle right	15	1.18 (1.38)	26	55	40	56	Rp 1/2"	V2481R0015
Chrome, double angle right	15	1.18 (1.38)	26	55	40	56	Rp 1/2"	V2482R0015
White, double angle left	15	1.18 (1.38)	26	55	40	56	Rp 1/2"	V2481L0015
Chrome, double angle left	15	1.18 (1.38)	26	55	40	56	Rp 1/2"	V2482L0015

Note: All dimensions in mm unless stated otherwise.

ACCESSORIES

	Description	Dimension	Part No.
	FEM24C Pipe Connections Design compression fitting for COPPER pipe. Consisting of compression nut and compression ring. For valves with external thread M24x19. (1 pack) Note: Max. operating temperature 90 °C, max. operating pressure 10 bar.	12 mm	FEM24C12
		14 mm	FEM24C14
		15 mm	FEM24C15
		16 mm	FEM24C16
	FEM24P Pipe Connections Design compression fitting for PEX pipe. Consisting of compression nut, compression ring and reinforcing insert. For valves with external thread M24x19. (1 pack) Note: Max. operating temperature 90 °C, max. operating pressure 10 bar.	12 x 1.1 mm	FEM24P12X1.1
		14 x 2 mm	FEM24P14X2
		16 x 1.5 mm	FEM24P16X1.5
		16 x 2 mm	FEM24P16X2
		18 x 2 mm	FEM24P18X2
	FEM24M Pipe Connections Design compression fitting for MULTILAYER pipe. Consisting of compression nut, compression ring and reinforcing insert. For valves with external thread M24x19. (1 pack) Note: Max. operating temperature 90 °C, max. operating pressure 10 bar.	12 x 2 mm	FEM24M14X2.1
		16 x 2 mm	FEM24M16X2
		18 x 2 mm	FEM24M18X2
		20 x 2 mm	FEM24M20X2
	VA2201D Rosette white (RAL9016) for wall covering	Ø 40 x 12 mm	VA2201D012
		Ø 40 x 14 mm	VA2201D014
		Ø 40 x 15 mm	VA2201D015
		Ø 40 x 16 mm	VA2201D016
		Ø 40 x 18 mm	VA2201D018
		Ø 40 x 20 mm	VA2201D020
	VA2201E Rosette chrome for wall covering	Ø 40 x 12 mm	VA2201E012
		Ø 40 x 14 mm	VA2201E014
		Ø 40 x 15 mm	VA2201E015
		Ø 40 x 16 mm	VA2201E016
		Ø 40 x 18 mm	VA2201E018
		Ø 40 x 20 mm	VA2201E020

FLOW DIAGRAM



Turns of presetting screw	1/4	1/2	3/4	1	2	3	k_{VS} = open
k_V-value	0.24	0.45	0.63	0.76	1.12	1.16	1.18
c_V-value	0.28	0.53	0.73	0.89	1.31	1.36	1.37

Note: See chapter presetting for presetting instructions.

For more information

homecomfort.resideo.com/europe



Ademco 1 GmbH
 Hardhofweg 40
 74821 MOSBACH
 GERMANY
 Phone: +49 6261 810
 Fax: +49 6261 81309

Manufactured for and on behalf of the
 Pittway Sàrl, La Pièce 4, 1180 Rolle, Switzerland
 by its Authorised Representative Ademco 1 GmbH
 EN0H-2109GE25 R0520

Subject to change

© 2020 Pittway Sàrl. All rights reserved.

This document contains proprietary information of
 Pittway Sàrl and its affiliated companies and is
 protected by copyright and other international laws.
 Reproduction or improper use without specific
 written authorisation of Pittway Sàrl is strictly
 forbidden. The Honeywell Home trademark is used
 under license from Honeywell International Inc.

Honeywell Home