



V136

Small Linear 2-Way Valve

APPLICATION

The V136 is a two-way control valve for hot water heating systems. It is typically used with a T100R or T100RS thermostat for hot water control applications, e.g. temperature control of DHW cylinder loading.

SPECIAL FEATURES

- High differential pressure resistance
- Robust red bronze valve housing
- Spindle sealing can be replaced under system pressure

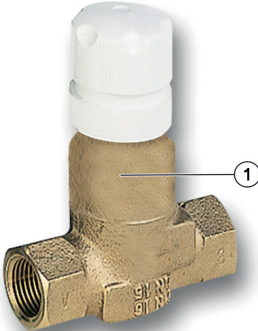
TECHNICAL DATA

Media	
Medium:	Water or water-glycol mixture, quality to VDI 2035 (up to 50 % Glycol)
Pressure values	
Max. operating pressure:	16 bar (232 psi)
Max. differential pressure with T100R/RS thermostat:	see table on page 2
Operating temperatures	
Water:	-10...120 °C (14 - 248 °F)
Water-glycol mixtures:	-10...110°C (14 - 230°F)
Specifications	
k_{vs} (c_v)-values:	see table on page 2
Starting position:	NO (valve closes when stem retracts)
Stroke:	4 mm
Closing dimension:	11.5 mm
Actuator connection:	M30 x 1.5
Suitable Actuators:	T100R/RS thermostat for water and air

- Note: To avoid stone deposit and corrosion the composition of the medium should conform with VDI-Guideline 2035
- Note: Additives have to be suitable for EPDM sealings
- Note: System has to be flushed throughly before initial operation with all valves fully open
- Note: Any complaints or costs resulting from non-compliance with above rules will not be accepted
- Note: Please contact us if you should have any special requirements or needs



CONSTRUCTION

Overview	Components	Materials
	1 Valve housing PN16 with internal threads	Red bronze
	Not depicted components:	
	Valve insert	Brass and plastic with EPDM O-rings and soft seals

METHOD OF OPERATION

As temperature control valve in connection with T100R or T100RS thermostat:

The sensor of the T100R/RS is attached to the hot water outlet of the cylinder and controls the V136 which is installed in the heat supply of the cylinder. The supply of heating water to the cylinder is throttled depending on the hot water temperature in the hot water pipeline.

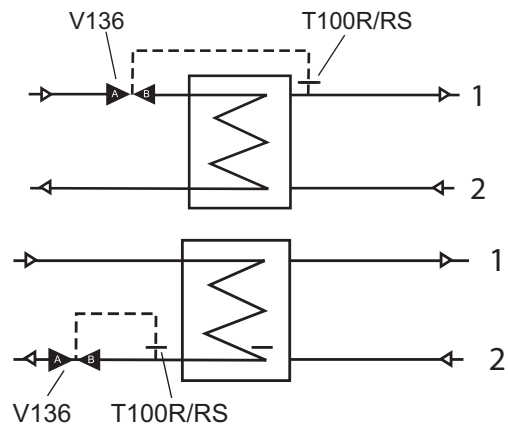
As return temperature control valve in connection with T100R or T100RS thermostat:

The sensor of the T100R/RS is attached to the heating water return of the cylinder and controls the V136 which is also installed in the heating water return. The supply of heating water to the cylinder is throttled depending on the heating water temperature in the return pipeline.

INSTALLATION GUIDELINES

Installation Example

- 1) hot water
- 2) cold water



TECHNICAL CHARACTERISTICS

kvs-Values

Connection sizes:	15	25
k_{vs} (C_v)-values:	1.0	2.5

Pressure drop characteristics

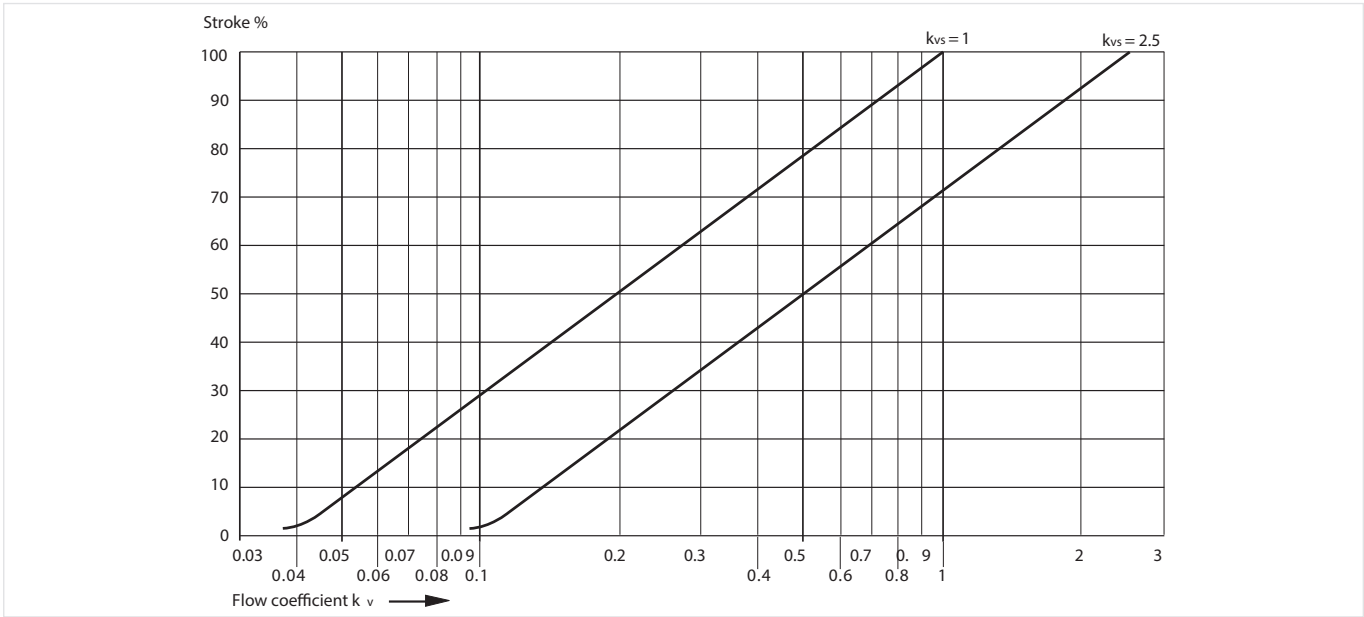
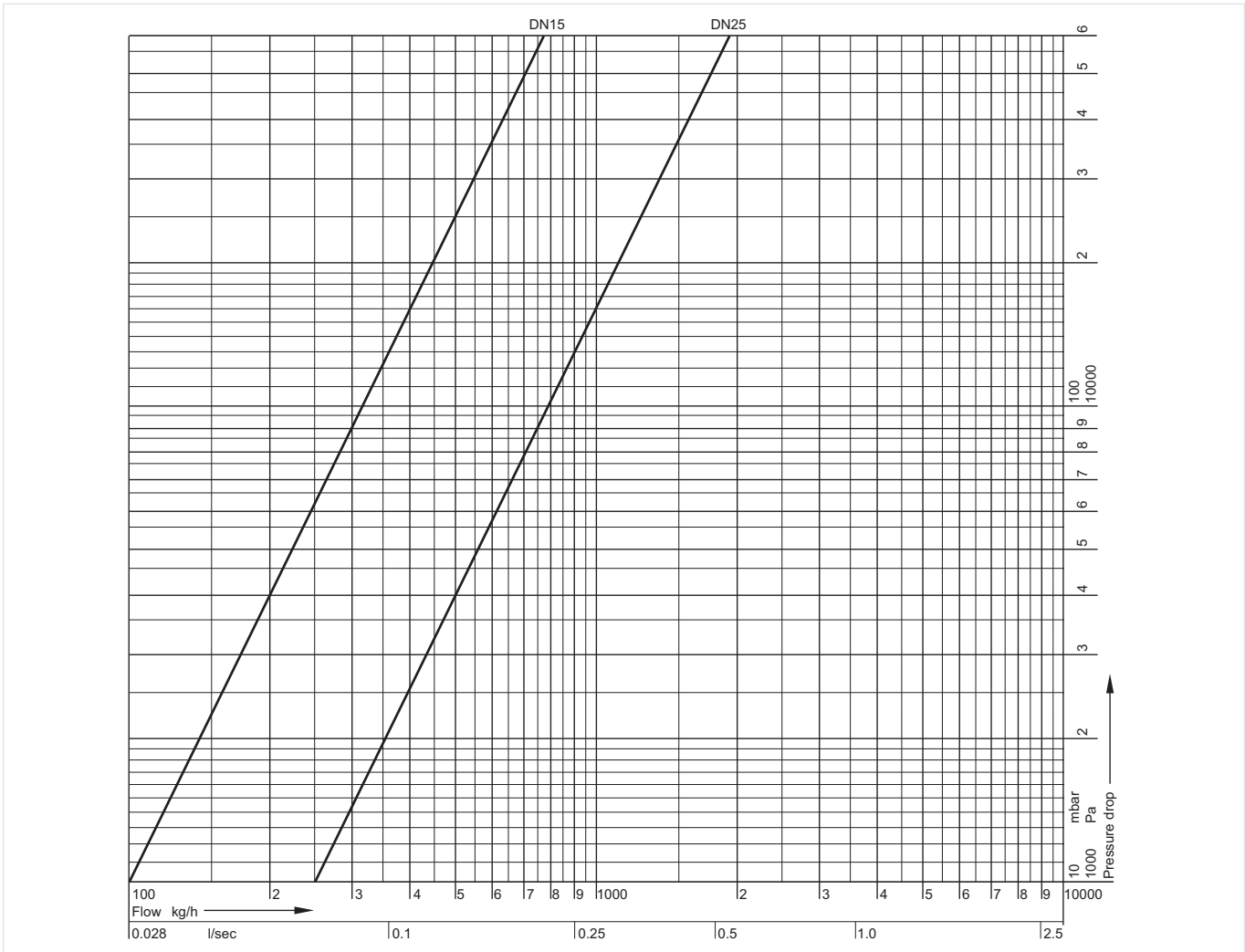
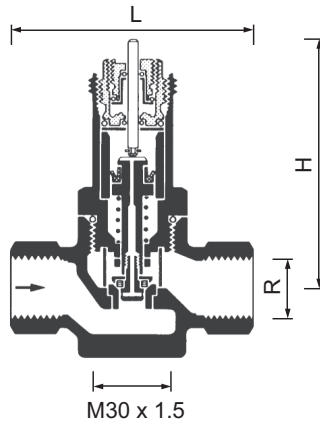


Fig. 1 Flow Characteristic



DIMENSIONS

Overview



Parameter	Values		
Connection size:	R	1/2"	1"
Nominal sizes:	DN	0.7	1.0
Weight:	kg	0.5	0.8
Dimensions:	H	86	94
	L	80	95
Δp_{max} (see Note):	bar	5.0	4.0

Note: All dimensions in mm unless stated otherwise.

Note: Max. permissible differential pressure when used with T100R or T100RS thermostat



ORDERING INFORMATION

The following tables contain all the information you need to make an order of an item of your choice. When ordering, please always state the type, the ordering or the part number.

Options

Order text:	Size:	Packing unit:	OS-No.:
V136B type control valve with internal threads	DN15	1 pc	V136-15B
	DN25	1 pc	V136-25B

Accessories

	Description	Dimension	Part No.	
	T100R	Thermostat with remote sensor (screw-in sensor)		
		Note: For detailed information see T100R/RS data sheet.		
		With R ¹ / ₂ " immersion pocket, Setting range 10 - 50 °C (50 - 122 °F)		T100R-AA
		With R ¹ / ₂ " immersion pocket, Setting range 30 - 70 °C (86 - 158 °F)		T100R-AB
		With R ¹ / ₂ " screw in sensor, Setting range 10 - 50 °C (50 - 122 °F)		T100RS-DA
	With R ¹ / ₂ " screw in sensor, Setting range 30 - 70 °C (86 - 158 °F)		T100RS-DB	
	MT4	Smart-T thermal actuator (on/off control only)		
		4.0 mm effective stroke		
			24 Vac/dc	MT4-024-NO
				MT4-024-NO-2.5M
				MT4-024S-NO
				MT4-024-NC
				MT4-024-NC-2.5M
				MT4-024S-NC
			230 Vac/dc	MT4-230-NO
				MT4-230-NO-2.5M
				MT4-230S-NO
				MT4-230-NC
				MT4-230-NC-2.5M
			MT4-230S-NC	

For more information

homecomfort.resideo.com/europe



Ademco 1 GmbH
 Hardhofweg 40
 74821 MOSBACH
 GERMANY
 Phone: +49 6261 810
 Fax: +49 6261 81309

Manufactured for and on behalf of the
 Pittway Sàrl, La Pièce 4, 1180 Rolle, Switzerland
 by its Authorised Representative Ademco 1 GmbH
 EN0H-2801GE25 R0920

Subject to change

© 2020 Pittway Sàrl. All rights reserved.

This document contains proprietary information of
 Pittway Sàrl and its affiliated companies and is
 protected by copyright and other international laws.
 Reproduction or improper use without specific
 written authorisation of Pittway Sàrl is strictly
 forbidden. The Honeywell Home trademark is used
 under license from Honeywell International Inc.

Honeywell Home