



## T9500

### Remote Thermostat

Radiator thermostat with remote setting

#### APPLICATION

The temperature of different rooms is controlled individually and energy is saved.

Remote Thermostat of this type are temperature-controlled proportional action regulator. Remote Thermostats offer a considerable economical effect in two ways: depending on usage, rooms in a flat can be tempered differently.

Furthermore the Remote Thermostat detects appearing external heat, for example solar heat, heat emission from persons, devices, illumination, etc., and closes the thermostatic valve adequately.

Thermostats of this type with M30 x 1.5 connection are suitable for all Honeywell Home TRV bodies and radiator inserts, all Honeywell Home valve series M, as well as other TRV bodies and radiator inserts with M30 x 1.5 connection and 11.5 mm closing dimension.

#### FEATURES

- Contains a liquid-filled sensing element with excellent control characteristic
- Large-area temperature receptivity
- Blocking, limiting and narrowing of setting range possible

#### SPECIFICATIONS

Thermostat connection:	M30 x 1.5
Setpoint range:	0 - ❄ - 1 - 5
Temperature range:	1 - 28 °C (34 - 82 °F)
Closing dimension:	11.5 mm
Capillary tube length:	2 or 5 m

Note: Zero-position is also thermostatically controlled when temperature falls the TRV may open.

#### DESIGN

The radiator thermostat consists of:

- Housing with base
- External sensor with capillary tube, cage, spindle assembly and union nut



#### MATERIALS

- Housing, base and cage made of plastic, white RAL9010
- Connection nut made of nickel-plated brass
- Capillary tube made of nickel-plated copper

#### FUNCTION

Thermostats of this type control the TRV body. The medium passing around the sensor of the thermostat causes the sensor to expand when the temperature rises. The sensor acts onto the valve spindle and this causes the TRV to close. When the temperature falls the sensor contracts and the spring-loaded valve spindle is opened. The TRV opens in proportion to the temperature of the sensor. Only the amount of water required to maintain the temperature set on the thermostat can flow through the valve.

## DIMENSIONS AND ORDERING INFORMATION

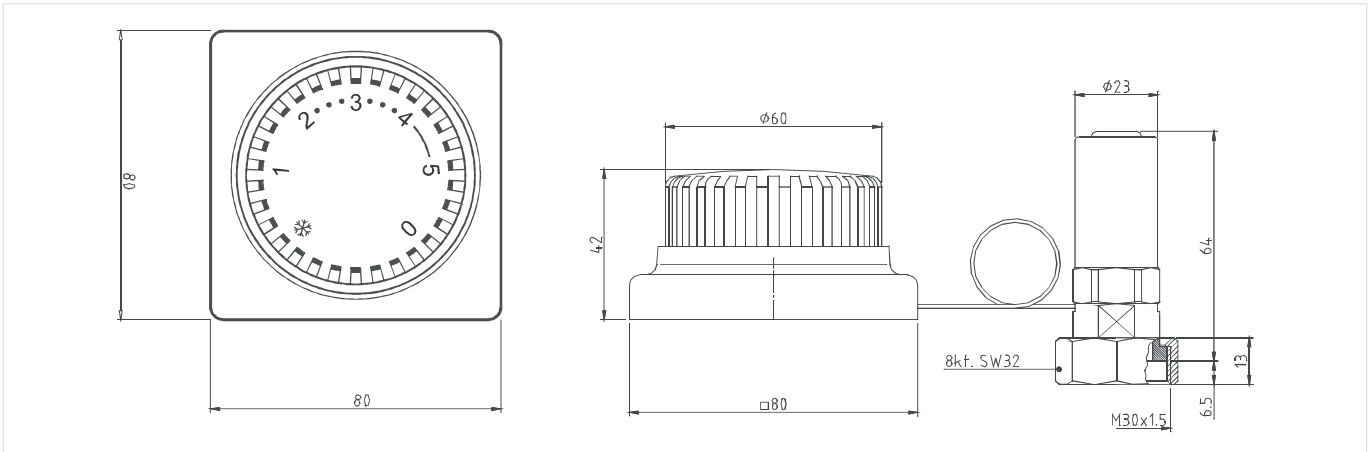


Fig. 1 Dimensions (mm)

Note: All dimensions in mm unless stated otherwise.

### Tab. 1 Available versions and OS-Nos (OS=Ordering Specification)



Type	OS-No.
Remote Thermostat with zero-position and capillary tube, length 2 m	T950120WO
Remote Thermostat with zero-position and capillary tube, length 5 m	T950150WO

## SET POINT

Setpoint	0	❄	1	2	3	4	5
°C	1	8	10	15	20	23	28
°F	34	46	50	59	68	73	82

Note: All °C and °F-values approximate

## ACCESSORIES

	Description	Dimension	Part No.
	<b>TA1010DA DA - Adapter from Danfoss</b> Snap connection RA to M30 x 1.5		TA1010DA01
	<b>TA1010HZ HZ - Adapter</b> HZ-Adapter from M28 x 1.5 with 9.5 mm closing dimension to M30 x 1.5 with 11.5 mm closing dimension		TA1010HZ01

### For more information

[homecomfort.resideo.com/europe](http://homecomfort.resideo.com/europe)



Ademco 1 GmbH  
Hardhofweg 40  
74821 MOSBACH  
GERMANY  
Phone: +49 6261 810  
Fax: +49 6261 81309

Manufactured for and on behalf of the  
Pittway Sàrl, La Pièce 4, 1180 Rolle, Switzerland  
by its Authorised Representative Ademco 1 GmbH  
EN0H-2008GE25 R0520

Subject to change

© 2020 Pittway Sàrl. All rights reserved.

This document contains proprietary information of Pittway Sàrl and its affiliated companies and is protected by copyright and other international laws. Reproduction or improper use without specific written authorisation of Pittway Sàrl is strictly forbidden. The Honeywell Home trademark is used under license from Honeywell International Inc.

**Honeywell Home**