



FR124

Combustion Regulator for solid fuel and multi-fuel boilers

Product specification sheet



Application

The FR124 combustion regulator opens and closes the air intake flap of solid fuel boilers in proportion to the flow temperature.

Special Features

- Design tested to DIN EN14597 (Test No. FR108709) and DIN 3440 (Test No. FR 108701)
- Scale for horizontal and vertical installation
- Supplied with 120 mm lever rod and chain
- Compact construction

Range of Application

For solid fuel and multi-fuel heating installations to DIN EN12828

Technical Data

Setting range	30...90 °C
Permissible sensor temperature	max. 115 °C
Ambient air temperature	max. 70 °C on adjuster knob
Connection size	G 3/4"
Chain length	1.2 m
Chain load	100...600 g
Immersion tube length	53 mm

Construction

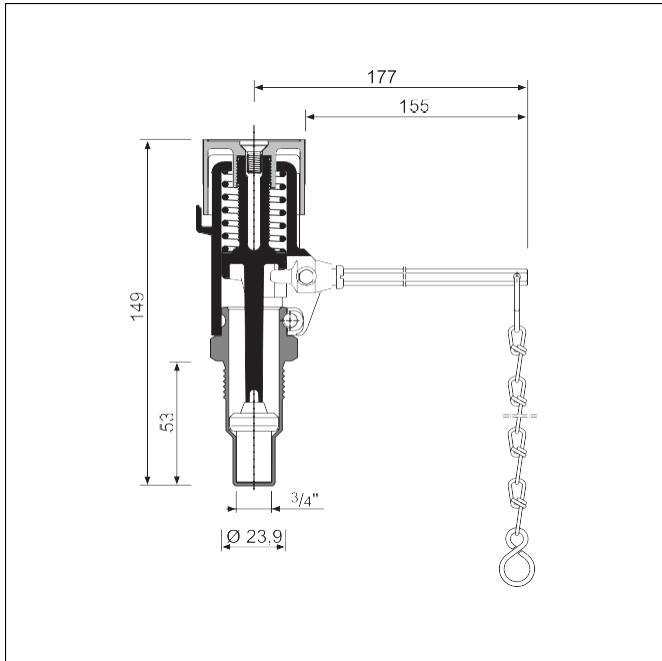
The FR124 Combustion Regulator consists of:

- Housing
- Adjuster knob
- Immersion pocket
- Lever rod
- Chain
- Wax thermostat
- Return spring

Materials

- High-quality synthetic material housing and adjuster knob
- Brass sensor pocket
- Galvanized steel lever rod
- Galvanized steel chain

Dimensions



All dimensions in mm unless stated otherwise.

Method of Operation

The Combustion Regulator controls combustion by adjusting the supply of air to a boiler. The intergral thermostat measures the temperature in the heat generator and in relationship to the temperature regulates a lever with chain linkage to control the air inlet to the solid fuel boiler by opening or closing the air flap.

Options

FR124-3/4A = Standard version

Installation Example

