



EW535M0131

RF Receiver with M-Bus Interface

868 MHz RF Receiver with M-Bus Interface

APPLICATION

Receiver for stationary readout of suitable hydronic meters with RF capability and conversion into M-Bus signal. Remote readout and data logging is done in combination with an IzarCenter M-Bus master or repeater. Configuration is also done via the IzarCenter.

SPECIAL FEATURES

- No wiring from meter to master necessary
- Powered through M-Bus interface – no external power source required
- Two wire M-Bus interface for direct connection to M-Bus master
- Internal memory to buffer last radio telegram of up to 450 meters

TECHNICAL DATA

Operating temperatures	
Operating temperature:	0 - 60 °C (32 - 140 °F)
Specifications	
Protection class:	IP20
Communication speed:	2400 and 9600 baud
Reception range:	Outdoor: up to 400 m Indoor: up to 30 m
Power supply:	Via M-Bus
RF frequency:	868 MHz
RF protocol:	Hydrometer Real Data and Open Metering Standard (OMS)

METHOD OF OPERATION

The RF Receiver receives radio telegrams from suitable RF capable meters and stores them in its internal memory. Each time a new radio telegram is received, the RF Receiver deletes the old one of that meter. The RF Receiver can only be used in combination with an IzarCenter RF master or repeater. Readout intervals of the RF Receivers are programmed in the IzarCenter as is done with wired M-Bus meters. Data stored in the IzarCenter memory can be downloaded using the IzarCenter software. The RF Receiver can receive RealData and OMS protocol simultaneously, i.e. is suitable for mixed networks.

Wiring

The RF Receiver is connected to the IzarCenter with a standard M-Bus cable as part of the M-Bus topology.



Number of M-Bus Devices

RF Receivers per M-Bus master/repeater

The RF Receiver can be used in an M-Bus network next to other M-Bus devices, e.g. EW773 M-Bus heatmeters. However, due to power consumption any single RF Receiver connected reduces the number of other M-Bus devices which can be wired to an IzarCenter by 20. Therefore the number of RF receivers per IzarCenter is limited:

M-Bus master/repeater	RF Receiver
IzarCenter 60	max. 3
IzarCenter 120	max. 6
IzarCenter 250	max. 12

M-Bus devices per RF Receiver and IzarCenter M-Bus master/repeater

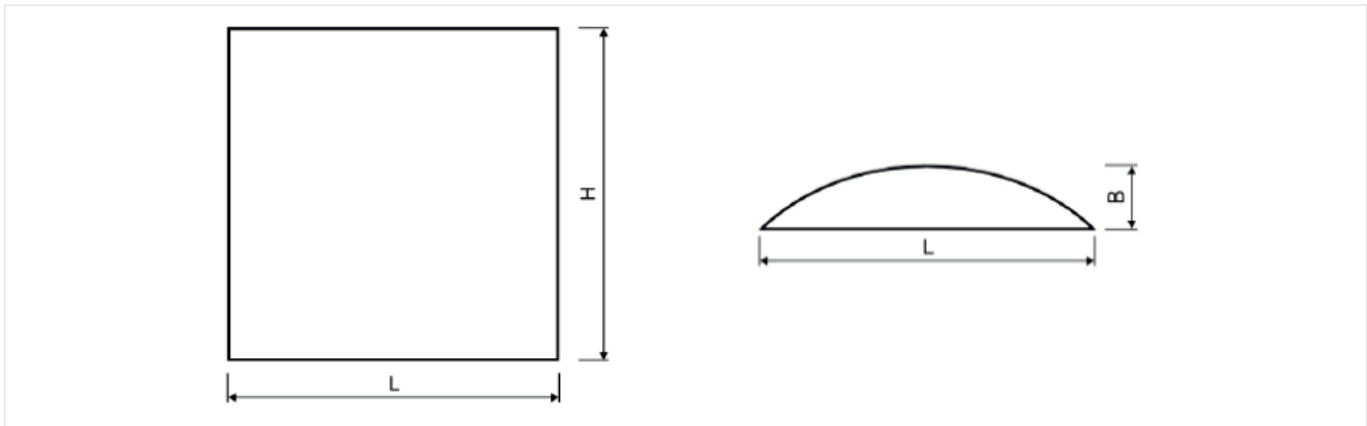
The limitation of 60, 120 or 250 M-Bus devices per IzarCenter is only valid for wired connections. When used with an RF Receiver any IzarCenter can manage up to 1.000 M-Bus devices. The RF Receiver itself is not counted as an M-Bus device.

Example: an IzarCenter 60 could manage two RF Receivers with 450 meters each and a third RF Receiver with 100 meters. Any meter read out via the RF Receiver is counted as an M-Bus device, even when it is read out indirectly, for example a water meter with pulse output via an EW773 Series heatmeter.

Required Moduls to connect EW773 products to EW535M0131

Range	Type	M-Bus module	RF-module
EW773x	A	EWA3022071	EW9100AEZ001
	K	n.a.	EW9100AEZ001
	M	n.a.	EW9100AEZ001
	F	n.a.	n.a.

DIMENSIONS



Length	L	120 mm
Width	B	35 mm
Height	H	120 mm
Weight		150 g

ORDERING INFORMATION

The following tables contain all the information you need to make an order of an item of your choice. When ordering, please always state the type, the ordering or the part number.

Options

Ordering number:	Description:	EAN Code:
EW535M0131	RF Receiver with M-Bus Interface	4029289068019

Scope of Delivery

- RF receiver
- Wall mounting plate
- Operating and setup instructions

TRANSPORTATION AND STORAGE

Keep parts in their original packaging and unpack them shortly before use.

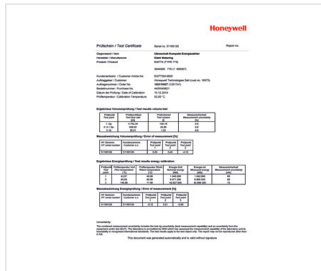
The following parameters apply during transportation and storage:

Environment:	clean, dry and dust free
Min. ambient temperature:	0 °C
Max. ambient temperature:	60 °C
Min. ambient relative humidity:	10 % *
Max. ambient relative humidity:	70 % *


*non condensing

Accessories

The required IZAR CENTER software for setup of the EW535M0131 RF receiver can be downloaded from the Resideo server.

	Metering software and Certificates	
	Downloadable from the Honeywell Home Side: https://homecomfort.resideo.com/sites/Europe/en-GB/Solutions/Metering/Pages/Metering.aspx?Solution=Metering%20Software%20&%20Certificates	

Associated Products

	OS.-No.:	Description:	EAN Code:
	EW535M5777	IZARCENTER 60	4029289062031
	EW535M5781	IZARCENTER 60 MEMORY	4029289062048
	EW535M5782	IZARCENTER 120	4029289062062
	EW535M5780	IZARCENTER 250	4029289062079
	EW535M5783	IZARCENTER 250 MEMORY	4029289062086

For more information

homecomfort.resideo.com/europe



Ademco 1 GmbH
 Hardhofweg 40
 74821 MOSBACH
 GERMANY
 Phone: +49 6261 810
 Fax: +49 6261 81309

Manufactured for and on behalf of the
 Pittway Sàrl, La Pièce 4, 1180 Rolle, Switzerland
 by its Authorised Representative Ademco 1 GmbH
 EN0H-0392GE25 R0619
 Subject to change
 © 2019 Resideo Technologies, Inc.
 The Honeywell Home trademark is used under
 license from Honeywell International Inc.

