



EW105 Series Singlejet Pulse Out Water Meters

DN15...20 FOR POTABLE WATER APPLICATIONS

PRODUCT DATA



Design and Materials

EW105 water meters consist of:

- Mechanical roller counter with 5 digits in metal housing
- Non removable clamp between housing and flow sensor
- Singlejet flow sensor with magnetic clutch
- Brass flow sensor housing with external threads according to ISO228 on inlet and outlet

Installation

- Calming legs before or after EW105 water meters are not required
- A distance of 5 x DN before and 3 x DN behind the meter is required from pumps, T-pieces or self acting valves
- All types may be installed in horizontal or vertical position, with counter facing upwards or sideways
- Avoid installation at highest point of system or system part as air may be trapped in meter
- It is recommended to place a ballvalve before and after the meter for easy replacement
- During measurement meter must be completely filled with water

Application

Honeywell Home EW105 singlejet pulse out water meters are used for measurement of water consumption in residential applications.

They are available in DN15...20 and have a mechanical roller counter attached to a singlejet flow sensor. They are fitted with a pulse out cable for remote readout applications.

EW105 singlejet water meters have MID approval.

Features

- Fully resistant to external magnetic fields
- Robust singlejet flow sensor
- Pulse output as standard

Specifications

Sizes	DN15...20 Q3 2.5...4m ³ /h
Medium	Cold or warm potable water
Temperature class (medium temperature)	EW1050: T30, T50 (0.1...50°C) EW1051: T90 (0.1...90°C)
Water pressure class	MAP16 (max. 16bar)
Pressure loss class	ΔP63 (max. 63kPa @ Q3)
Environmental classes	B / M1 / E1
Measuring process	Mechanical dry dial counter with singlejet volume measurement
Display	Roller counter, 5-digit
Display unit	m ³
Installation position	H, V (horizontal, vertical)
Interface	Pulse out
Approval	MID

Function

- Counter: the meter is equipped with a mechanical roller counter for volume metering of cold or warm potable water. It has a five digit display. Counter and flow sensor are secured by a permanently fixed and sealed clamp
- Flow sensor: the singlejet technology of the flow sensor combines high measuring accuracy with long term stability and low starting volume
- Interfaces: EW105 water meters are equipped with a pulse out cable with a value of 10 litres / pulse

Dimensions and Ordering Information

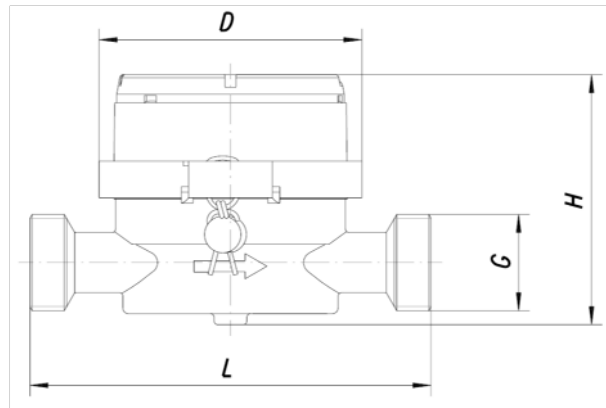


Fig. 1

Table 1. Flow Data, Dimensions and OS-Numbers

DN size		15	20	15	20
<i>Flow rates according to MID</i>		EW1050...		EW1051...	
Minimum (Q1)	l/h	25 / 50	40 / 80	31.25 / 62.5	50 / 100
Transition (Q2)	l/h	40 / 80	64 / 128	50 / 100	80 / 160
Permanent (Q3)	m³/h	2.5	4	2.5	4
Overload (Q4)	m³/h	3.125	5	3.125	5
Dynamic range (Q3/Q1)	horizontal vertical	R100 R50	R100 R50	R80 R40	R80 R40
<i>Additional data</i>					
Starting flow rate	l/h	8	15	8	15
Temperature class		T30	T30	T90	T90
Pulse value	l/pulse	10	10	10	10
<i>Dimensions</i>					
Length L	mm	110	130	110	130
Height H	mm	68.5			
Counter Ø D	mm	72			
Meter thread G	Inch	G3/4	G1	G3/4	G1
Weight	kg	0.65	0.75	0.65	0.75
<i>Order specification</i>					
OS-No.		EW1050AP1200	EW1050AP2000	EW1051AP1200	EW1051AP2000

Accessories

Set of two union nuts, two sealings and two externally threaded brass tailpieces (one pack per meter required) – sealable with locking wire



For DN15, 1/2" x 3/4"

EWA1500035

For DN20, 3/4" x 1"

EWA1500042