

## EW105 Series Singlejet Pulse Out Water Meters

### DN15...20 FOR POTABLE WATER APPLICATIONS

#### PRODUCT DATA



### Design and Materials

EW105 water meters consist of:

- Mechanical roller counter with 5 digits in metal housing
- Non removable clamp between housing and flow sensor
- Singlejet flow sensor with magnetic clutch
- Brass flow sensor housing with external threads according to ISO228 on inlet and outlet

### Installation

- Calming legs before or after EW105 water meters are not required
- A distance of 5 x DN before and 3 x DN behind the meter is required from pumps, T-pieces or self acting valves
- All types may be installed in horizontal or vertical position, with counter facing upwards or sideways
- Avoid installation at highest point of system or system part as air may be trapped in meter
- It is recommended to place a ballvalve before and after the meter for easy replacement
- During measurement meter must be completely filled with water

### Application

Honeywell EW105 singlejet pulse out water meters are used for measurement of water consumption in residential applications.

They are available in DN15...20 and have a mechanical roller counter attached to a singlejet flow sensor. They are fitted with a pulse out cable for remote readout applications.

EW105 singlejet water meters have MID approval.

### Features

- Fully resistant to external magnetic fields
- Robust singlejet flow sensor
- Pulse output as standard

### Specifications

<b>Sizes</b>	DN15...20 Q3 2.5...4m <sup>3</sup> /h
<b>Medium</b>	Cold or warm potable water
<b>Temperature class (medium temperature)</b>	EW1050: T30, T50 (0.1...50°C) EW1051: T90 (0.1...90°C)
<b>Water pressure class</b>	MAP16 (max. 16bar)
<b>Pressure loss class</b>	ΔP63 (max. 63kPa @ Q3)
<b>Environmental classes</b>	B / M1 / E1
<b>Measuring process</b>	Mechanical dry dial counter with singlejet volume measurement
<b>Display</b>	Roller counter, 5-digit
<b>Display unit</b>	m <sup>3</sup>
<b>Installation position</b>	H, V (horizontal, vertical)
<b>Interface</b>	Pulse out
<b>Approval</b>	MID

### Function

- Counter: the meter is equipped with a mechanical roller counter for volume metering of cold or warm potable water. It has a five digit display. Counter and flow sensor are secured by a permanently fixed and sealed clamp
- Flow sensor: the singlejet technology of the flow sensor combines high measuring accuracy with long term stability and low starting volume
- Interfaces: EW105 water meters are equipped with a pulse out cable with a value of 10 litres / pulse

## Dimensions and Ordering Information

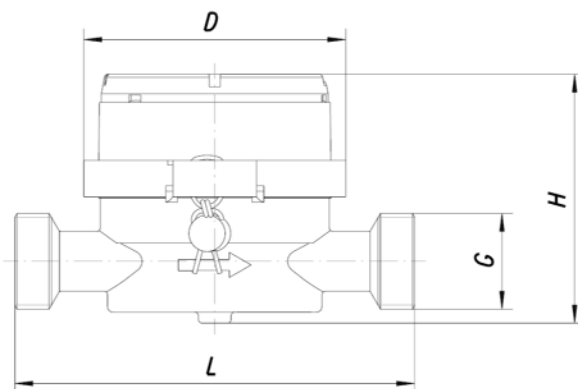


Fig. 1

Table 1. Flow Data, Dimensions and OS-Numbers

DN size		15	20	15	20
<i>Flow rates according to MID</i>		EW1050...		EW1051...	
<b>Minimum (Q1)</b>	l/h	25 / 50	40 / 80	31.25 / 62.5	50 / 100
<b>Transition (Q2)</b>	l/h	40 / 80	64 / 128	50 / 100	80 / 160
<b>Permanent (Q3)</b>	m <sup>3</sup> /h	<b>2.5</b>	<b>4</b>	<b>2.5</b>	<b>4</b>
<b>Overload (Q4)</b>	m <sup>3</sup> /h	3.125	5	3.125	5
<b>Dynamic range (Q3/Q1)</b>	horizontal vertical	R100 R50	R100 R50	R80 R40	R80 R40
<i>Additional data</i>					
<b>Starting flow rate</b>	l/h	8	15	8	15
<b>Temperature class</b>		T30	T30	T90	T90
<b>Pulse value</b>	l/pulse	10	10	10	10
<i>Dimensions</i>					
<b>Length L</b>	mm	110	130	110	130
<b>Height H</b>	mm	68.5			
<b>Counter Ø D</b>	mm	72			
<b>Meter thread G</b>	Inch	G3/4	G1	G3/4	G1
<b>Weight</b>	kg	0.65	0.75	0.65	0.75
<i>Order specification</i>					
<b>OS-No.</b>		<b>EW1050AP1200</b>	<b>EW1050AP2000</b>	<b>EW1051AP1200</b>	<b>EW1051AP2000</b>

## Accessories

Set of two union nuts, two sealings and two externally threaded brass tailpieces (one pack per meter required) – sealable with locking wire



For DN15, 1/2" x 3/4"

EWA1500035

For DN20, 3/4" x 1"

EWA1500042

## Environmental and Combustion Controls

Honeywell GmbH

Hardhofweg

74821 Mosbach, Germany

Phone: +49 (6261) 810

Fax: +49 (6261) 81393

www.honeywell.com

EN0H-0453GE25 R0115

January 2015 (Rev. B)

© 2015 Honeywell International Inc.

Subject to change • All rights reserved

Created for and on behalf of the Environmental and Combustion Controls Division of Honeywell Technologies Sàrl, Z.A. La Pièce 16, 1180 Rolle, Switzerland or its Authorized Representative.

# Honeywell