

## Spare Parts Catalogue

### Past and Present Balancing and Pipeline Valves

#### Contents

V5000 – Kombi-3-plus RED .....	2
V5010 – Kombi-3-plus BLUE.....	4
V5020, V5021 – Stop Valve-II .....	8
V5030, V5031, V5035 – Kombi-II .....	10
V5032 – Kombi-2-plus .....	13
V5040 – Sleeve Valve .....	17
V5100 – Stop Valve-3.....	19
V6000 – Kombi-F-II.....	21
Kombi-Automatik-R.....	24
Kombi-Automatik .....	26
Kombi.....	27

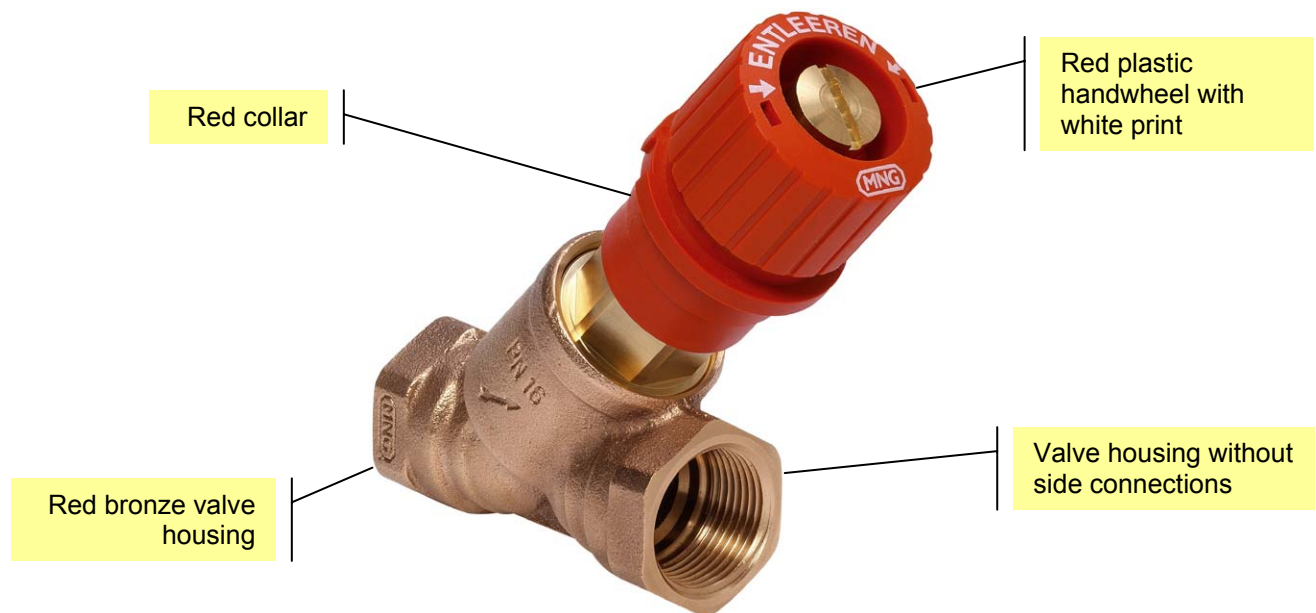
## V5000 – Kombi-3-plus RED

(Including V500U Kombi-3-plus RED UltraLine)

Measuring and shutoff valve for the supply. Available since 1993. The following replacement inserts are suitable for all model years of the V5000 Kombi-3-plus RED, i.e. all OS-Nos. starting with V5000 or V500U.

How to identify a V5000 or V500U Kombi-3-plus RED:

- Red plastic handwheel
- Red plastic collar
- Valve housing without side connections
- Normally installed with a V5010 Kombi-3-plus BLUE in the return pipeline



Replacement insert, suitable for all Kombi-3-plus RED (all OS-Nos. starting with V5000 or V500U)

Valve		Replacement insert
OS-No.	Description	OS-No.
V5000X0010	DN10 (3/8"), external threads	VS1501R010
V5000X0015	DN15 (1/2"), external threads	VS1501R015
V5000X0020	DN20 (3/4"), external threads	VS1501R020
V5000X0025	DN25 (1"), external threads	VS1501R025
V5000X0032	DN32 (1 1/4"), external threads	VS1501R032
V5000X0040	DN40 (1 1/2"), external threads	VS1501R040
V5000X0050	DN50 (2"), external threads	VS1501R050
V5000Y0010	DN10 (3/8"), internal threads	VS1501R010
V5000Y0015	DN15 (1/2"), internal threads	VS1501R015
V5000Y0020	DN20 (3/4"), internal threads	VS1501R020
V5000Y0025	DN25 (1"), internal threads	VS1501R025
V5000Y0032	DN32 (1 1/4"), internal threads	VS1501R032

Valve		Replacement insert
OS-No.	Description	OS-No.
V5000Y0040	DN40 (1 1/2"), internal threads	VS1501R040
V5000Y0050	DN50 (2"), internal threads	VS1501R050
V5000Y0065	DN65 (2 1/2"), internal threads	VS1501R065
V5000Y0080	DN80 (3"), internal threads	VS1501R080
V500UY0010	DN10 (3/8"), internal threads, UltraLine version	VS1501R010
V500UY0015	DN15 (1/2"), internal threads, UltraLine version	VS1501R015
V500UY0020	DN20 (3/4"), internal threads, UltraLine version	VS1501R020
V500UY0025	DN25 (1"), internal threads, UltraLine version	VS1501R025
V500UY0032	DN32 (1 1/4"), internal threads, UltraLine version	VS1501R032
V500UY0040	DN40 (1 1/2"), internal threads, UltraLine version	VS1501R040
V500UY0050	DN50 (2"), internal threads, UltraLine version	VS1501R050
V500UY0065	DN65 (2 1/2"), internal threads, UltraLine version	VS1501R065
V500UY0080	DN80 (3"), internal threads, UltraLine version	VS1501R080

Spare parts, suitable for all Kombi-3-plus RED (all OS-Nos. starting with V5000 or V500U)

Spare part		Suitable for
OS-No.	Description	
VS2000A010	Handwheel screw	All Kombi-3-plus
VS2500K3R1	Handwheel, red	All Kombi-3-plus RED DN10-25
VS2500K3R2	Handwheel, red	All Kombi-3-plus RED DN32-50

Cross reference list Honeywell OS-No. to obsolete MNG Article-No. ("xxx" denotes the size, e.g. "015" for a DN15 valve)

1.800057.xxx.000	V5000Y0xxx	Kombi-3-plus RED with internal threads
1.800063.xxx.000	V500UY0xxx	Kombi-3-plus RED with internal threads, UltraLine version
1.820047.xxx.000	V5000X0xxx	Kombi-3-plus RED with external threads

## V5010 – Kombi-3-plus BLUE

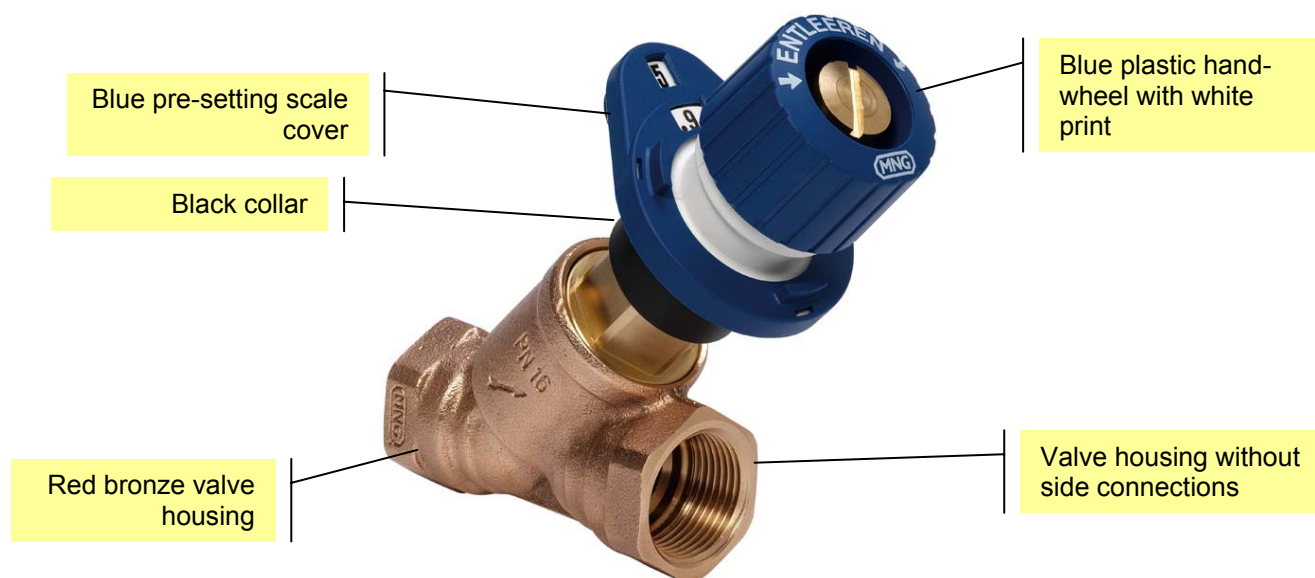
(Including V501U Kombi-3-plus BLUE UltraLine)

Double-regulating balancing and shutoff valve for the return. Available since 1993. For the Kombi-3-plus BLUE two different replacement inserts are available:

- Standard type replacement inserts, suitable for:
  - all V5010 Kombi-3-plus BLUE since production year 2000 (production code 24-xx or higher);
  - all V5010 Kombi-3-plus BLUE before production year 2000 (production code 23-xx or lower) AND which have NOT been upgraded with a V5012 Kombi-Diaphragm Unit;
  - all V501U Kombi-3-plus BLUE UltraLine, regardless of production year.
- “R” type replacement inserts, suitable for:
  - all Kombi-3-plus BLUE before production year 2000 (production code 23 xx or lower) AND which have been upgraded with the V5012 Kombi-Diaphragm Unit. Only sizes DN15 to DN40 may be affected by this.

How to identify a V5010 or V501U Kombi-3-plus BLUE:

- Blue plastic handwheel
- Black plastic collar, with blue plastic dial cover and pre-setting dial
- Valve housing without side connections with MNG and H markings
- Normally installed in combination with a V5000 Kombi-3-plus RED in the supply pipeline



How to identify a V5010 Kombi-3-plus BLUE before production date 2000 from the outside:

- Valve housing without side connections, only with MNG marking (no H marking)

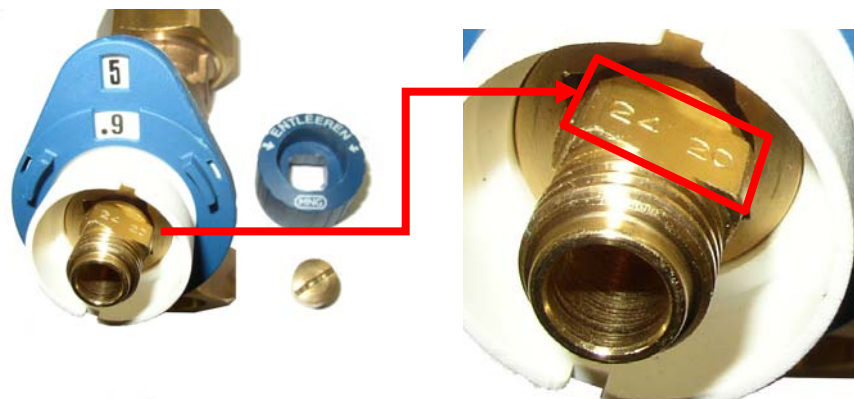


MNG marking stamped into the valve housing but no H logo.



How to identify the production code or, since July 2005, the date code of a V5010 Kombi-3-plus BLUE:

- Unscrew and remove handwheel cap
- Remove blue handwheel
- Either the production code or the date code is stamped onto the square neck at the top of the spindle:
  - The production code is a three- or four-digit number starting with a "2"
  - The date code is a four-digit number starting with the year, e.g. "05" for year 2005



Standard replacement inserts

Valve		Replacement insert
OS-No.	Description	OS-No.
V5010X0010	DN10 (3/8"), external threads	VS1501B015
V5010X0015	DN15 (1/2"), external threads	VS1501B015
V5010X0020	DN20 (3/4"), external threads	VS1501B025
V5010X0025	DN25 (1"), external threads	VS1501B025
V5010X0032	DN32 (1 1/4"), external threads	VS1501B040
V5010X0040	DN40 (1 1/2"), external threads	VS1501B040
V5010X0050	DN50 (2"), external threads	VS1501B050
V5010Y0010	DN10 (3/8"), internal threads	VS1501B015
V5010Y0015	DN15 (1/2"), internal threads	VS1501B015
V5010Y0020	DN20 (3/4"), internal threads	VS1501B025
V5010Y0025	DN25 (1"), internal threads	VS1501B025

Valve		Replacement insert
OS-No.	Description	OS-No.
V5010Y0032	DN32 (1 1/4"), internal threads	VS1501B040
V5010Y0040	DN40 (1 1/2"), internal threads	VS1501B040
V5010Y0050	DN50 (2"), internal threads	VS1501B050
V5010Y0065	DN65 (2 1/2"), internal threads	VS1501B065
V5010Y0080	DN80 (3"), internal threads	VS1501B080
V501UY0010	DN10 (3/8"), internal threads, UltraLine version	VS1501B015
V501UY0015	DN15 (1/2"), internal threads, UltraLine version	VS1501B015
V501UY0020	DN20 (3/4"), internal threads, UltraLine version	VS1501B025
V501UY0025	DN25 (1"), internal threads, UltraLine version	VS1501B025
V501UY0032	DN32 (1 1/4"), internal threads, UltraLine version	VS1501B040
V501UY0040	DN40 (1 1/2"), internal threads, UltraLine version	VS1501B040
V501UY0050	DN50 (2"), internal threads, UltraLine version	VS1501B050
V501UY0065	DN65 (2 1/2"), internal threads, UltraLine version	VS1501B065
V501UY0080	DN80 (3"), internal threads, UltraLine version	VS1501B080

"R" type replacement insert

Valve		Replacement insert
OS-No.	Description	OS-No.
V5010X0010	DN10 (3/8"), external threads	VS1501B010R
V5010X0015	DN15 (1/2"), external threads	VS1501B010R
V5010X0020	DN20 (3/4"), external threads	VS1501B020R
V5010X0025	DN25 (1"), external threads	VS1501B020R
V5010X0032	DN32 (1 1/4"), external threads	VS1501B032R
V5010X0040	DN40 (1 1/2"), external threads	VS1501B032R
V5010Y0010	DN10 (3/8"), internal threads	VS1501B010R
V5010Y0015	DN15 (1/2"), internal threads	VS1501B010R
V5010Y0020	DN20 (3/4"), internal threads	VS1501B020R
V5010Y0025	DN25 (1"), internal threads	VS1501B020R
V5010Y0032	DN32 (1 1/4"), internal threads	VS1501B032R
V5010Y0040	DN40 (1 1/2"), internal threads	VS1501B032R

Spare parts, suitable for all Kombi-3-plus BLUE (all OS-Nos. starting with V5010 or V501U)

Spare part		Suitable for
OS-No.	Description	
VS2000A010	Handwheel screw	All Kombi-3-plus
VS2500K3B1	Handwheel, blue	All Kombi-3-plus BLUE DN10-25
VS2500K3B2	Handwheel, blue	All Kombi-3-plus BLUE DN32-50

Cross reference list Honeywell OS-No. to obsolete MNG Article-No. ("xxx" denotes the size, e.g. "015" for a DN15 valve)

1.810057.xxx.000	V5010Y0xxx	Kombi-3-plus BLUE with internal threads
1.810063.xxx.000	V501UY0xxx	Kombi-3-plus BLUE with internal threads, UltraLine version
1.830047.xxx.000	V5010X0xxx	Kombi-3-plus BLUE with external threads



## V5020, V5021 – Stop Valve-II

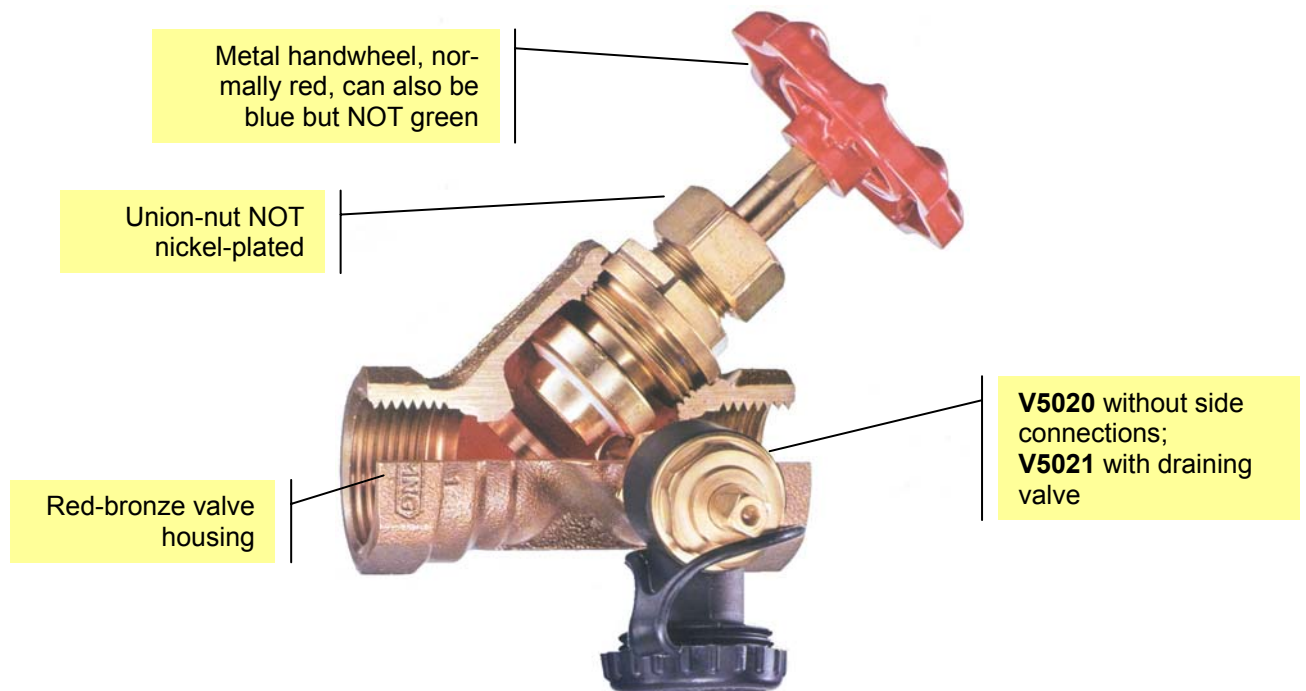
Shutoff valve for supply and return. Available from 1978 till 2003. The following replacement inserts are suitable for all model years of the Stop Valve-II, i.e. all OS-Nos. starting with V5020 or V5021.

How to identify a V5020 Stop Valve-II:

- Union-nut at top of spindle (above the gland) is NOT nickel-plated (compare Kombi-II further below which has a nickel-plated union-nut). However, the replacement valve insert used for this valve is identical with the Kombi-II replacement valve insert and thus may have a nickel-plated union-nut above the gland.
- Red bronze valve housing without side connections
- Metal handwheel, normally red, can also be blue but NOT green – a green handwheel indicates an Alwa-Kombi potable water balancing valve which is not covered by this Service Book.

How to identify a V5021 Stop Valve-II:

- As above but valve body with additional draining valve



Replacement insert, suitable for all Stop Valve-II (all OS-Nos. starting with V5020 or V5021)

Valve		Replacement insert
OS-No.	Description	OS-No.
V5020Y0010	DN10 (3/8"), internal threads	VS1500K015
V5020Y0015	DN15 (1/2"), internal threads	VS1500K015
V5020Y0020	DN20 (3/4"), internal threads	VS1500K025
V5020Y0025	DN25 (1"), internal threads	VS1500K025
V5020Y0032	DN32 (1 1/4"), internal threads	VS1500K040
V5020Y0040	DN40 (1 1/2"), internal threads	VS1500K040
V5020Y0050	DN50 (2"), internal threads	VS1500K050



Valve		Replacement insert
OS-No.	Description	OS-No.
V5020Y0065	DN65 (2 1/2"), internal threads	VS1500K065
V5020Y0080	DN80 (3"), internal threads	VS1501R080 <sup>1</sup>
V5021Y0010	DN10 (3/8"), internal threads	VS1500K015
V5021Y0015	DN15 (1/2"), internal threads	VS1500K015
V5021Y0020	DN20 (3/4"), internal threads	VS1500K025
V5021Y0025	DN25 (1"), internal threads	VS1500K025
V5021Y0032	DN32 (1 1/4"), internal threads	VS1500K040
V5021Y0040	DN40 (1 1/2"), internal threads	VS1500K040
V5021Y0050	DN50 (2"), internal threads	VS1500K050
V5021Y0065	DN65 (2 1/2"), internal threads	VS1500K065
V5021Y0080	DN80 (3"), internal threads	VS1501R080 <sup>1</sup>

Spare parts, suitable for all Stop Valve-II (all OS-Nos. starting with V5020 or V5021)

Spare part		Suitable for
OS-No.	Description	
VS2001A100	Handwheel screw	All Stop Valve-II DN10-DN25 (3/8" to 1")
VS2001A160	Handwheel screw	All Stop Valve-II DN32-DN80 (1 1/4" to 3")
VS2400B050	Handwheel, red	All Stop Valve-II DN10-DN25 (3/8" to 1")
VS2400B080	Handwheel, red	All Stop Valve-II DN32-DN50 (1 1/4" to 2")
VS2400B120	Handwheel, red	All Stop Valve-II DN65-DN80 (2 1/2" to 3")
VA3501A008	Draining valve (without sealing)	All Stop Valve-II with draining valve
VS3501A008	Blind stop as replacement for draining valve (without sealing)	All Stop Valve-II with draining valve
VA5092A008	Sealing for draining valve and blind stop	All Stop Valve-II with draining valve

Cross reference list Honeywell OS-No. to obsolete MNG Article-No. ("xxx" denotes the size, e.g. "015" for a DN15 valve)

1.712758.xxx.000	V5020Y0xxx	Stop Valve-II, DN10...DN25 only
1.712718.xxx.000	V5020Y0xxx	Stop Valve-II, DN32...DN80 only
1.712757.xxx.000	V5021Y0xxx	Stop Valve-II with draining valve, DN10...DN25 only
1.712717.xxx.000	V5021Y0xxx	Stop Valve-II with draining valve, DN32...DN80 only

<sup>1</sup> Valve insert of V5000 Kombi-3-plus RED, same or better functionality

## V5030, V5031, V5035 – Kombi-II

Double-regulating balancing and shutoff valve for supply and return. Available from 1978 till 1998. The following replacement inserts are suitable for all model years of the Kombi-II, i.e. all OS-Nos. starting with V5030, V5031 or V5035.

How to identify a V5030 Kombi-II:

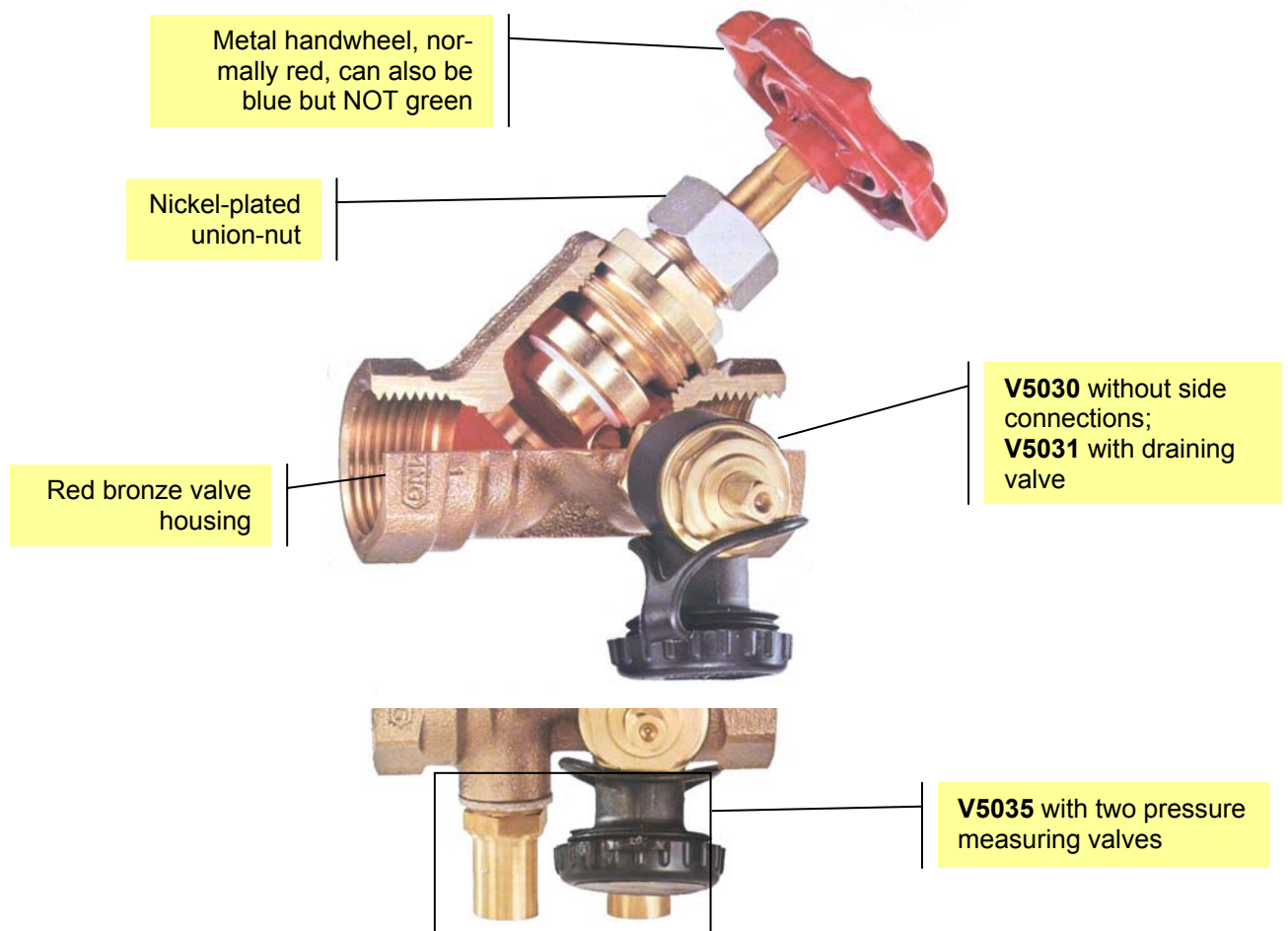
- Union-nut at top of spindle is nickel-plated (compare V5020, V5021 Stop Valve-II above)
- Red bronze valve housing without side connections

How to identify a V5031 Kombi-II:

- As above but with additional draining valve

How to identify a V5035 Kombi-II:

- As above but valve housing with pressure test valves



Replacement inserts, suitable for all Kombi-II (all OS-Nos. starting with V5030, V5031 or V5035)

Valve		Replacement insert
OS-No.	Description	OS-No.
V5030Y0010	DN10 (3/8"), internal threads	VS1500K015
V5030Y0015	DN15 (1/2"), internal threads	VS1500K015
V5030Y0020	DN20 (3/4"), internal threads	VS1500K025
V5030Y0025	DN25 (1"), internal threads	VS1500K025
V5030Y0032	DN32 (1 1/4"), internal threads	VS1500K040
V5030Y0040	DN40 (1 1/2"), internal threads	VS1500K040
V5030Y0050	DN50 (2"), internal threads	VS1500K050
V5030Y0065	DN65 (2 1/2"), internal threads	VS1500K065
V5030Y0080	DN80 (3"), internal threads	VS1501B080 <sup>2</sup>
V5031Y0010	DN10 (3/8"), internal threads	VS1500K015
V5031Y0015	DN15 (1/2"), internal threads	VS1500K015
V5031Y0020	DN20 (3/4"), internal threads	VS1500K025
V5031Y0025	DN25 (1"), internal threads	VS1500K025
V5031Y0032	DN32 (1 1/4"), internal threads	VS1500K040
V5031Y0040	DN40 (1 1/2"), internal threads	VS1500K040
V5031Y0050	DN50 (2"), internal threads	VS1500K050
V5031Y0065	DN65 (2 1/2"), internal threads	VS1500K065
V5031Y0080	DN80 (3"), internal threads	VS1501B080 <sup>2</sup>

Spare parts, suitable for all Kombi-II (all OS-Nos. starting with V5030, V5031 or V5035)

Spare part		Suitable for
OS-No.	Description	
VS2001A100	Handwheel screw	All Kombi-II DN10-DN25 (3/8" to 1")
VS2001A160	Handwheel screw	All Kombi-II DN32-DN80 (1 1/4" to 3")
VS2400B050	Handwheel, red	All Kombi-II DN10-DN25 (3/8" to 1")
VS2400B080	Handwheel, red	All Kombi-II DN32-DN50 (1 1/4" to 2")
VS2400B120	Handwheel, red	All Kombi-II DN65-DN80 (2 1/2" to 3")
VA3501A008	Draining valve (without sealing)	All Kombi-II with draining valve
VS3501A008	Blind stop as replacement for draining valve (without sealing)	All Kombi-II with draining valve
VA5092A008	Sealing for draining valve and blind stop	All Kombi-II with draining valve

<sup>2</sup> Note that a different pre-setting value is required for this insert, see cross reference chart on page 12.

Cross reference list Honeywell OS-No. to obsolete MNG Article-No. ("xxx" denotes the size, e.g. "015" for a DN15 valve)

1.722758.xxx.000	V5030Y0xxx	Kombi-II, DN10...DN25 only
1.722718.xxx.000	V5030Y0xxx	Kombi-II, DN32...DN80 only
1.722757.xxx.000	V5031Y0xxx	Kombi-II with draining valve, DN10...DN25 only
1.722717.xxx.000	V5031Y0xxx	Kombi-II with draining valve, DN32...DN80 only
1.729957.xxx.000	V5035Y0xxx	Kombi-II with pressure test valves, DN10...DN25 only
1.729917.xxx.000	V5035Y0xxx	Kombi-II with pressure test valves, DN32...DN80 only

Cross reference chart of pre-setting value V503x Kombi-II and V5010 Kombi-3-plus BLUE for size DN80 – required to determine the right pre-setting when replacement insert VS1501B080 is installed.

Original pre-setting value	2	3	4	5	6	7	8	10	12	14	open
kv-value	4.8	10	16	23	32	40	48	60	75	100	125
New pre-setting value using VS1501B080	1.3	1.8	2.3	2.7	3.3	3.9	4.5	5.8	7.9 <sup>3</sup>		

<sup>3</sup> With pre-setting 7.9 a kvs-value of 71 is reached at which position the insert is fully open.

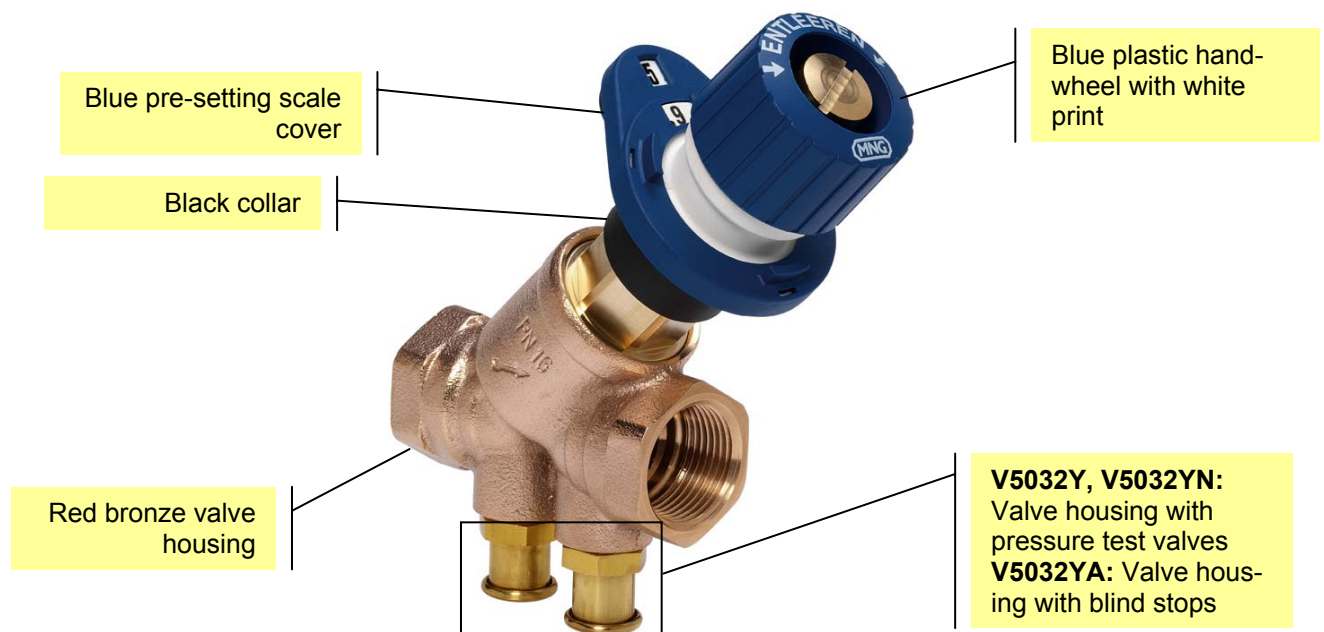
## V5032 – Kombi-2-plus

Double-regulating balancing, measuring and shutoff valve for the return. Available since 1997. For the Kombi-2-plus two different replacement inserts are available:

- Standard type replacement inserts, suitable for:
  - all V5032 Kombi-2-plus since production year 2000 (production code 24-xx or higher);
  - all V5032 Kombi-2-plus before production year 2000 (production code 23-xx or lower) AND which have NOT been upgraded with a V5012 Kombi-Diaphragm Unit;
- “R” type replacement inserts, suitable for:
  - all Kombi-2-plus before production year 2000 (production code 23-xx or lower) AND which have been upgraded with the V5012 Kombi-Diaphragm Unit. Only sizes DN15 to DN40 may be affected by this.

How to identify a V5032 Kombi-2-plus:

- Blue plastic handwheel
- Black plastic collar, with blue plastic dial cover and pre-setting dial
- Valve housing with pressure test valves and with MNG and H markings



How to identify a V5032 Kombi-2-plus before production date 2000 from the outside:

- Valve housing only with MNG marking (no H marking)

NOTE: Since October 2003 the V5032 Kombi-2-plus has neither an MNG nor an H marking on the valve housing.

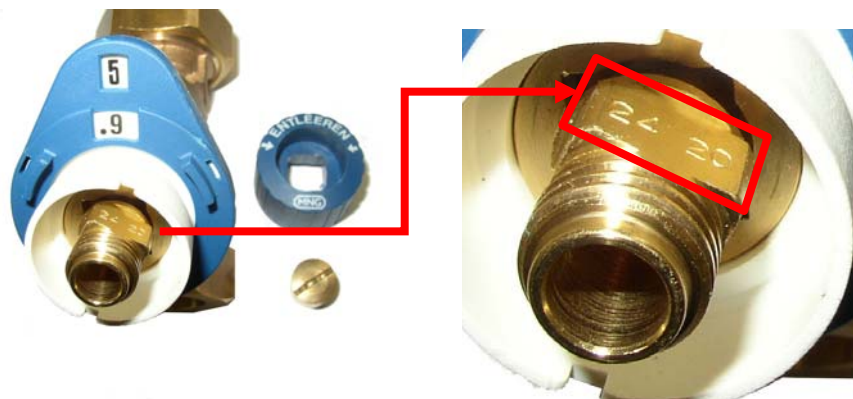


MNG marking stamped into the valve housing but no H logo.



How to identify the production code or, since July 2005, the date code of a V5032 Kombi-2-plus:

- Unscrew and remove handwheel cap
- Remove blue handwheel
- Either the production code or the date code is stamped onto the square neck at the top of the spindle:
  - The production code is a three- or four-digit number starting with a "2"
  - The date code is a four-digit number starting with the year, e.g. "05" for 2005



Standard replacement inserts

Valve		Replacement insert
OS-No.	Description	OS-No.
V5032Y0015	DN15 (1/2"), internal threads	VS1501B015
V5032Y0020	DN20 (3/4"), internal threads	VS1501B025
V5032Y0025	DN25 (1"), internal threads	VS1501B025
V5032Y0032	DN32 (1 1/4"), internal threads	VS1501B040
V5032Y0040	DN40 (1 1/2"), internal threads	VS1501B040
V5032Y0050	DN50 (2"), internal threads	VS1501B050
V5032Y0065	DN65 (2 1/2"), internal threads	VS1501B065
V5032Y0080	DN80 (3"), internal threads	VS1501B080
V5032YA020	DN20 (3/4"), internal threads, blind stops instead of pressure test valves	VS1501B025
V5032YA032	DN32 (1 1/4"), internal threads, blind stops instead of pressure test valves	VS1501B040

Valve		Replacement insert
OS-No.	Description	OS-No.
V5032YA040	DN40 (1 1/2"), internal threads, blind stops instead of pressure test valves	VS1501B040
V5032YA050	DN50 (2"), internal threads, blind stops instead of pressure test valves	VS1501B050
V5032YN015	DN15 (1/2"), internal threads to NPT	VS1501B015
V5032YN020	DN20 (3/4"), internal threads to NPT	VS1501B025
V5032YN025	DN25 (1"), internal threads to NPT	VS1501B025
V5032YN032	DN32 (1 1/4"), internal threads to NPT	VS1501B040
V5032YN040	DN40 (1 1/2"), internal threads to NPT	VS1501B040
V5032YN050	DN50 (2"), internal threads to NPT	VS1501B050

"R" type replacement inserts

Valve		Replacement insert
OS-No.	Description	OS-No.
V5032Y0015	DN15 (1/2"), internal threads	VS1501B010R
V5032Y0020	DN20 (3/4"), internal threads	VS1501B020R
V5032Y0025	DN25 (1"), internal threads	VS1501B020R
V5032Y0032	DN32 (1 1/4"), internal threads	VS1501B032R
V5032Y0040	DN40 (1 1/2"), internal threads	VS1501B032R
V5032YA020	DN20 (3/4"), internal threads, blind stops instead of pressure test valves	VS1501B020R
V5032YA032	DN32 (1 1/4"), internal threads, blind stops instead of pressure test valves	VS1501B032R
V5032YA040	DN40 (1 1/2"), internal threads, blind stops instead of pressure test valves	VS1501B032R
V5032YN015	DN15 (1/2"), internal threads to NPT	VS1501B010R
V5032YN020	DN20 (3/4"), internal threads to NPT	VS1501B020R
V5032YN025	DN25 (1"), internal threads to NPT	VS1501B020R
V5032YN032	DN32 (1 1/4"), internal threads to NPT	VS1501B032R
V5032YN040	DN40 (1 1/2"), internal threads to NPT	VS1501B032R

Spare parts, suitable for all Kombi-2-plus (all OS-Nos. starting with V5032)

Spare part		
OS-No.	Description	Suitable for
VA3600B008	Pressure test valves (2 pcs)	All Kombi-2-plus
VS2000A010	Handwheel screw	All Kombi-2-plus
VS2500K3B1	Handwheel, blue	All Kombi-2-plus DN15-25
VS2500K3B2	Handwheel, blue	All Kombi-2-plus DN32-50



Cross reference list Honeywell OS-No. to obsolete MNG Article-No. ("xxx" denotes the size, e.g. "015" for a DN15 valve)

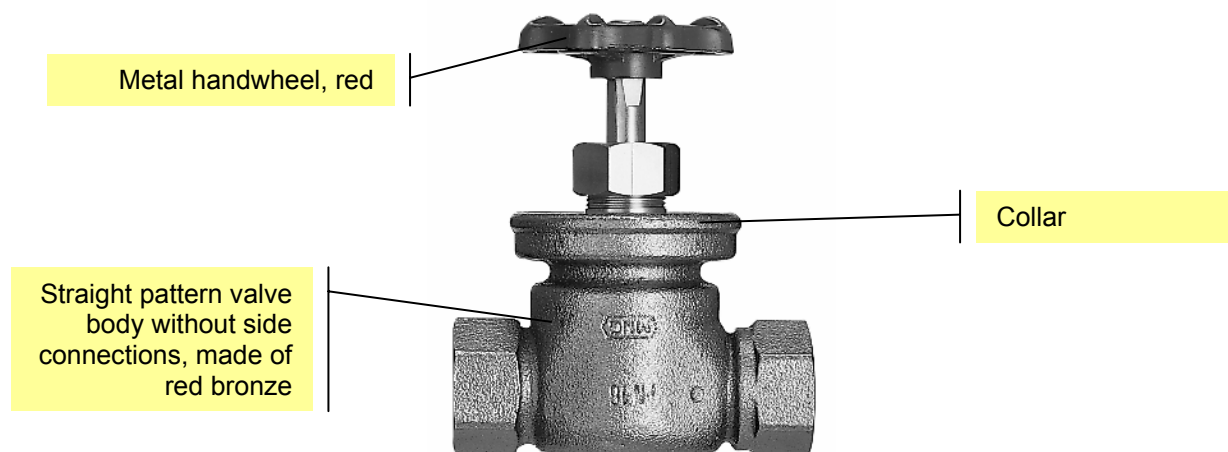
1.819957.xxx.000	V5032Y0xxx	Kombi-2-plus, standard version
1.819957.xxx.300	V5032YNxxx	Kombi-2-plus, with internal threads to NPT
1.819957.xxx.956	V5032YAxxx	Kombi-2-plus, with blind stops instead of pressure test valves

## V5040 – Sleeve Valve

Shutoff valve for supply or return. Available from 1978 till 2003. The following replacement inserts are suitable for all model years of the Sleeve valve, i.e. all OS-Nos. starting with V5040.

How to identify a V5040 Sleeve Valve:

- Red bronze valve housing without side connections, with collar
- Straight pattern valve design
- Red metal handwheel



Replacement inserts, suitable for all Sleeve Valves (all OS-Nos. starting with V5040)

Valve		Replacement insert
OS-No.	Description	OS-No.
V5040Y0008	DN8, internal threads	VS1500K015
V5040Y0010	DN10 (3/8"), internal threads	VS1500K015
V5040Y0015	DN15 (1/2"), internal threads	VS1500K015
V5040Y0020	DN20 (3/4"), internal threads	VS1500K025
V5040Y0025	DN25 (1"), internal threads	VS1500K025
V5040Y0032	DN32 (1 1/4"), internal threads	VS1500K040
V5040Y0040	DN40 (1 1/2"), internal threads	VS1500K040
V5040Y0050	DN50 (2"), internal threads	VS1500K050
V5040Y0065	DN65 (2 1/2"), internal threads	VS1500K065
V5040Y0080	DN80 (3"), internal threads	VS1501R080 <sup>4</sup>

Spare parts, suitable for all Sleeve Valves (all OS-Nos. starting with V5040)

Spare part		Suitable for
OS-No.	Description	
VS2001A100	Handwheel screw	All Sleeve Valves DN8-DN25 (1/4" to 1")

<sup>4</sup> Valve insert of V5000 Kombi-3-plus RED, same or better functionality.

Spare part		
OS-No.	Description	Suitable for
VS2001A160	Handwheel screw	All Sleeve Valves DN32-DN80 (1 1/4" to 3")
VS2400B050	Handwheel, red	All Sleeve Valves DN8-DN25 (1/4" to 1")
VS2400B080	Handwheel, red	All Sleeve Valves DN32-DN50 (1 1/4" to 2")
VS2400B120	Handwheel, red	All Sleeve Valves DN65-DN80 (2 1/2" to 3")

Cross reference list Honeywell OS-No. to obsolete MNG Article-No. ("xxx" denotes the size, e.g. "015" for a DN15 valve)

1.960004.xxx.000	V5040Y0xxx	Sleeve Valve, DN8...DN80
------------------	------------	--------------------------

## V5100 – Stop Valve-3

(formerly Kombi-3-plus BLACK)

Shutoff valve for supply and return. Available since 1999. The following replacement inserts are suitable for all model years of the Stop Valve-3, i.e. all OS-Nos. starting with V5100.

How to identify a V5100 Stop Valve-3:

- Black plastic handwheel
- Red bronze valve housing without side connections



Replacement insert, suitable for all Stop Valve-3 (all OS-Nos. starting with V5100)

Valve		Replacement insert
OS-No.	Description	OS-No.
V5100X0010	DN10 (3/8"), external threads	VS1501S015
V5100X0015	DN15 (1/2"), external threads	VS1501S015
V5100X0020	DN20 (3/4"), external threads	VS1501S025
V5100X0025	DN25 (1"), external threads	VS1501S025
V5100X0032	DN32 (1 1/4"), external threads	VS1501S040
V5100X0040	DN40 (1 1/2"), external threads	VS1501S040
V5100Y0010	DN10 (3/8"), internal threads	VS1501S015
V5100Y0015	DN15 (1/2"), internal threads	VS1501S015
V5100Y0020	DN20 (3/4"), internal threads	VS1501S025
V5100Y0025	DN25 (1"), internal threads	VS1501S025
V5100Y0032	DN32 (1 1/4"), internal threads	VS1501S040
V5100Y0040	DN40 (1 1/2"), internal threads	VS1501S040

Spare parts, suitable for all Stop Valve-3 (all OS-Nos. starting with V5100)

Spare part		Suitable for
OS-No.	Description	
VS2000A010	Handwheel screw	All Stop Valve-3
VS2500K3S1	Handwheel, black	All Stop Valve-3 DN10-25
VS2500K3S2	Handwheel, black	All Stop Valve-3 DN32-40

Cross reference list Honeywell OS-No. to obsolete MNG Article-No. ("xxx" denotes the size, e.g. "015" for a DN15 valve)

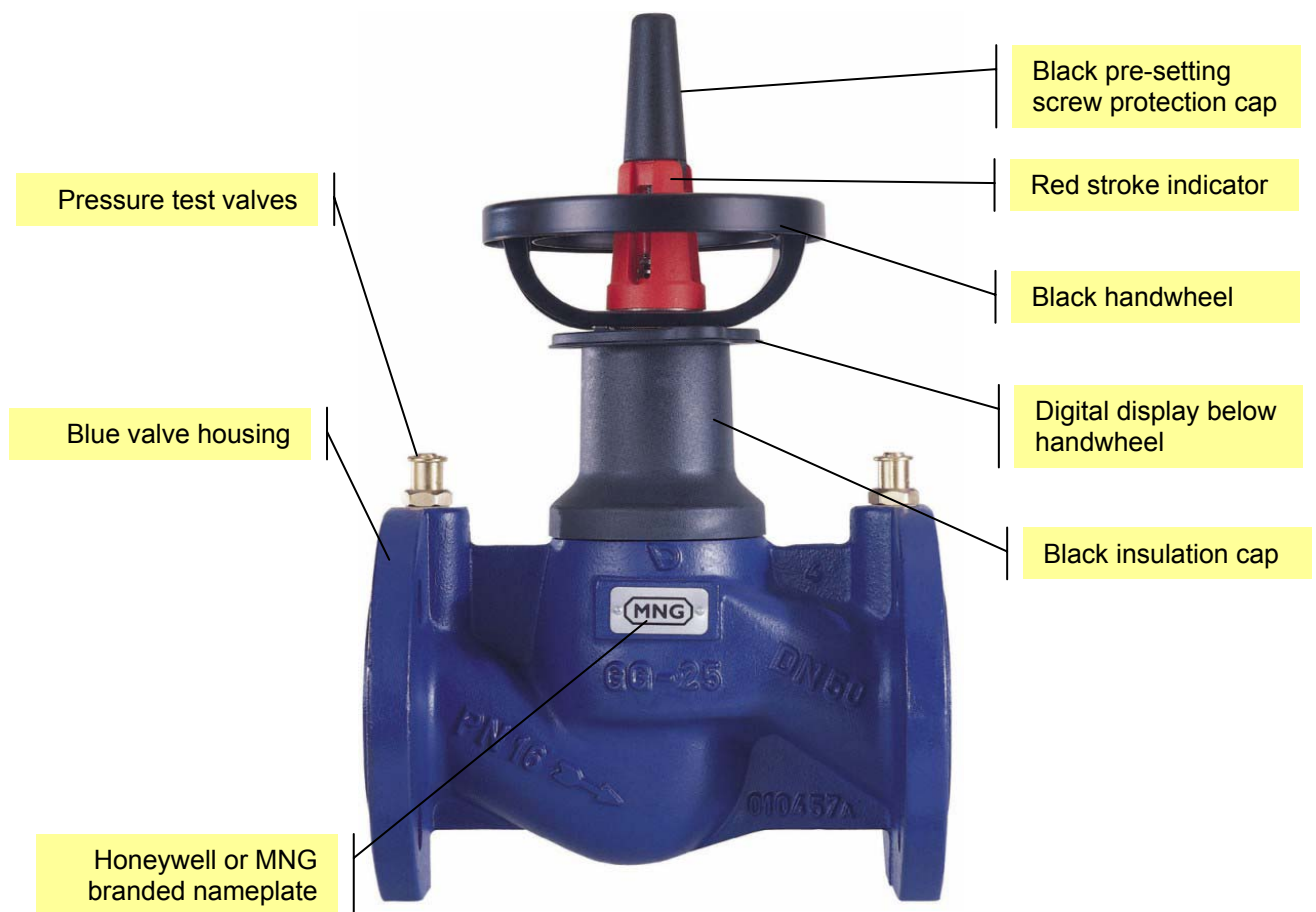
1.780057.xxx.000	V5100Y0xxx	Stop Valve-3, internal threads
1.790047.xxx.000	V5100X0xxx	Stop Valve-3, external threads

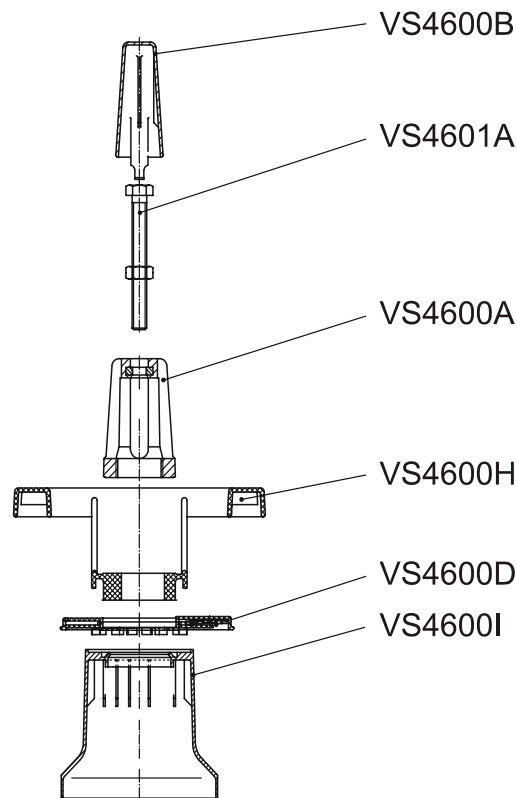
## V6000 – Kombi-F-II

Flanged double-regulating variable orifice balancing valve. The following spare parts are suitable for all V6000 Kombi-F-II DN15 to DN200, i.e. all OS-Nos. starting with V6000 and ending with 015, 020, 025, 032, 040, 050, 065, 080, 100, 125, 150 or 200.

How to identify a V6000 Kombi-F-II:

- Nameplate on side of valve labelled “Honeywell” or, for older models, labelled “Honeywell MNG” or “MNG”
- Blue valve housing
- Pressure test valves on inlet and outlet flange





OS-No. Group	Item	Size											
		DN15 (1/2")	DN20 (3/4")	DN25 (1")	DN32 (1 1/4")	DN40 (1 1/2")	DN50 (2")	DN65 (2 1/2")	DN80 (3")	DN100 (4")	DN125 (5")	DN150 (6")	DN200 (8")
VS4600A	Red stroke indicator	015				040		065	080		125		200
VS4600B	Black protection cap	015						065			125		200
VS4600D	Digital display	015						065					
VS4600H	Handwheel	015				040		065				200	
VS4600I	Black insulation cap	015				040		065		100		200	
VS4601A	Pre-setting screw	015				040		065	080		125		200



Combination of OS-No. Group and Size results in OS-No. for spare part, e.g. "VS4601A" + "040" = Pre-setting screw for V6000 Kombi-F-II DN40 and DN50

Spare parts in detail by OS-No. (OS=Ordering System)

Spare part		
OS-No.	Description	Suitable for
VS4600A015	Red stroke indicator	All V6000 Kombi-F-II DN15-32
VS4600A040	Red stroke indicator	All V6000 Kombi-F-II DN40-50
VS4600A065	Red stroke indicator	All V6000 Kombi-F-II DN65
VS4600A080	Red stroke indicator	All V6000 Kombi-F-II DN80-100
VS4600A125	Red stroke indicator	All V6000 Kombi-F-II DN125-150
VS4600A200	Red stroke indicator	All V6000 Kombi-F-II DN200



Spare part		
OS-No.	Description	Suitable for
VS4600B015	Black protection cap	All V6000 Kombi-F-II DN15-50
VS4600B065	Black protection cap	All V6000 Kombi-F-II DN65-100
VS4600B125	Black protection cap	All V6000 Kombi-F-II DN125-150
VS4600B200	Black protection cap	All V6000 Kombi-F-II DN200
VS4600D015	Digital display	All V6000 Kombi-F-II DN15-50
VS4600D065	Digital display	All V6000 Kombi-F-II DN65-200
VS4600H015	Handwheel	All V6000 Kombi-F-II DN15-32
VS4600H040	Handwheel	All V6000 Kombi-F-II DN40-50
VS4600H065	Handwheel	All V6000 Kombi-F-II DN65-150
VS4600H200	Handwheel	All V6000 Kombi-F-II DN200
VS4600I015	Black insulation cap	All V6000 Kombi-F-II DN15-32
VS4600I040	Black insulation cap	All V6000 Kombi-F-II DN40-50
VS4600I065	Black insulation cap	All V6000 Kombi-F-II DN65-80
VS4600I100	Black insulation cap	All V6000 Kombi-F-II DN100-150
VS4600I200	Black insulation cap	All V6000 Kombi-F-II DN200
VS4601A015	Pre-setting screw	All V6000 Kombi-F-II DN15-32
VS4601A040	Pre-setting screw	All V6000 Kombi-F-II DN40-50
VS4601A065	Pre-setting screw	All V6000 Kombi-F-II DN65
VS4601A080	Pre-setting screw	All V6000 Kombi-F-II DN80-100
VS4601A125	Pre-setting screw	All V6000 Kombi-F-II DN125-150
VS4601A200	Pre-setting screw	All V6000 Kombi-F-II DN200

Cross reference list Honeywell OS-No. to obsolete MNG Article-No. ("xxx" denotes the size, e.g. "015" for a DN15 valve)

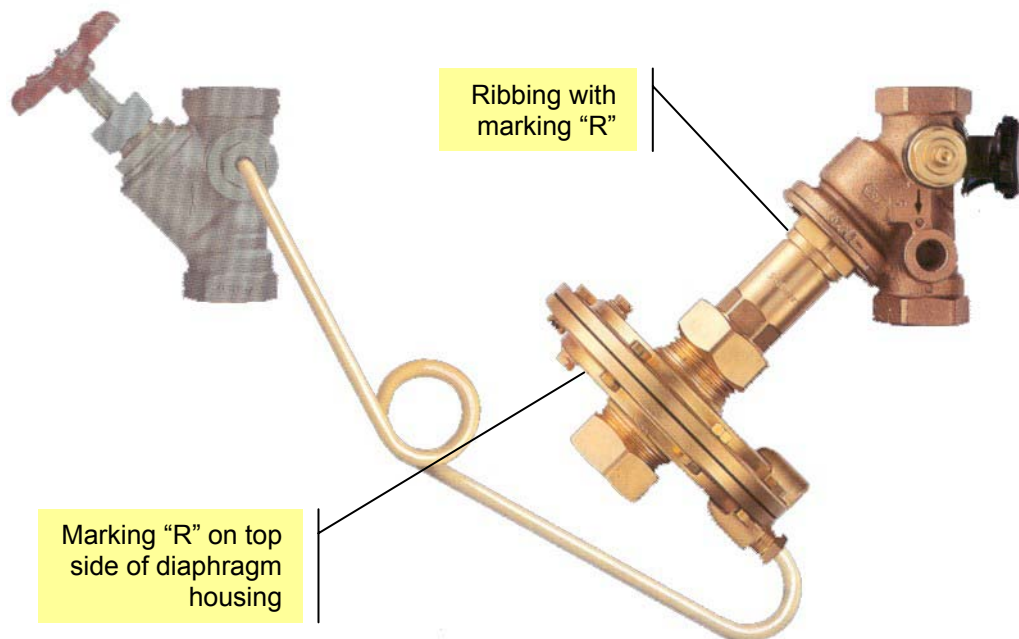
3.850001.xxx.000	V6000D0xxx	V6000 Kombi-F-II PN16 DN250-DN400
3.850006.xxx.000	V6000DAxxx	V6000 Kombi-F-II ANSI 150lbs
3.850020.xxx.000	V6000D0xxx	V6000 Kombi-F-II PN16 DN15-DN200
3.850020.xxx.902	V6000DPxxx	V6000 Kombi-F-II PN25

## Kombi-Automatik-R

Automatic differential pressure control valve. The Kombi-Automatik-R was available from 1986 till 1993.

How to identify a Kombi-Automatik-R:

- Installed in the return only.
- Marking "R" on top side of diaphragm housing.
- Ribbing above hexagon of insert and marking "R" within the ribbing.



Replacement inserts, suitable for all Kombi-Automatik-R

Valve		Replacement insert
MNG Article-No.	Description	OS-No.
1.505011.015.000	Kombi-Automatik-R, DN15 (1/2")	VS1501B010R + V5012C0103
1.505011.020.000	Kombi-Automatik-R, DN20 (3/4")	VS1501B020R + V5012C0103
1.505011.025.000	Kombi-Automatik-R, DN25 (1")	VS1501B020R + V5012C0103
1.505011.032.000	Kombi-Automatik-R, DN32 (1 1/4")	VS1501B032R + V5012C0103
1.505011.040.000	Kombi-Automatik-R, DN40 (1 1/2")	VS1501B032R + V5012C0103

Spare parts, suitable for all Kombi-Automatik-R

Spare part		
OS-No.	Description	Suitable for
VA3501A008	Draining valve (without sealing)	All Kombi-Automatik-R with draining
VA5092A008	Sealing for VA3501A008 and VS3501A008	All Kombi-Automatik-R with draining
VS3501A008	Blindstop to replace draining valve (without sealing)	All Kombi-Automatik-R with draining

Spare part		
OS-No.	Description	Suitable for
VS4500KA01	Replacement diaphragm unit	All Kombi-Automatik-R
VS4501A001	Pre-setting unit 0.1 bar	All Kombi-Automatik-R
VS4501A002	Pre-setting unit 0.2 bar	All Kombi-Automatik-R
VS4501A003	Pre-setting unit 0.3 bar	All Kombi-Automatik-R
VS5500A008	Compression fitting for copper impulse tube 6 x 1 mm	All Kombi-Automatik-R
VS5501A008	Shutoff valve R1/4" for impulse tube	All Kombi-Automatik-R

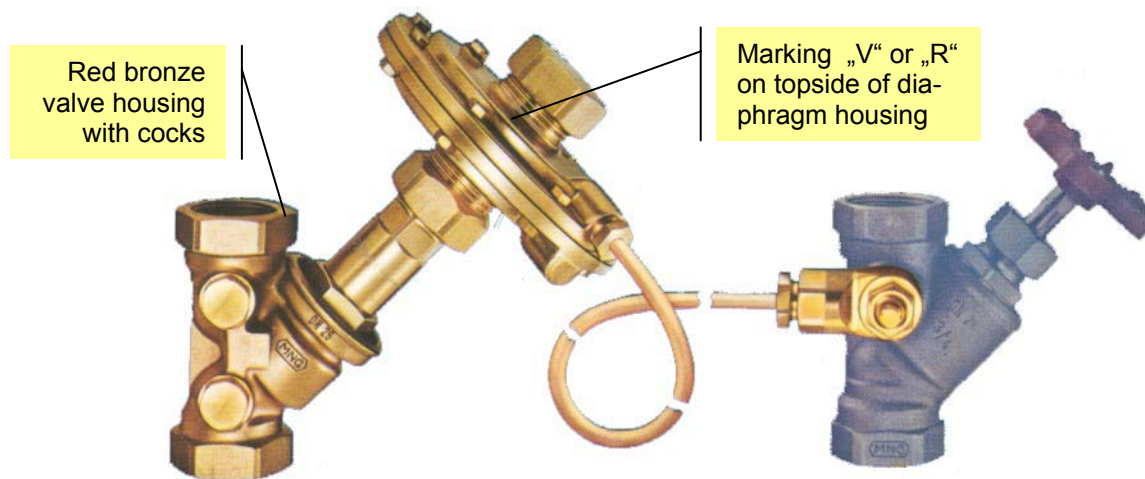
## Kombi-Automatik

Automatic differential pressure control valve. The Kombi-Automatik was available from 1980 till 1986. For this product no replacement inserts are available. In case of failure please replace the whole valve with one of the following replacement products:

- V5010 Kombi-3-plus BLUE together with V5012 Kombi-DP diaphragm unit, or
- V5016 Kombi-PC differential pressure control valve

How to identify a Kombi-Automatik:

- Installed in supply or return
- Marking "V" on one side and "R" on the other side of the membrane housing.
- When installed in the supply (optimal flow direction): Marking "V" is on top side of diaphragm housing.
- When installed in the return: Marking "R" is on top side of diaphragm housing.



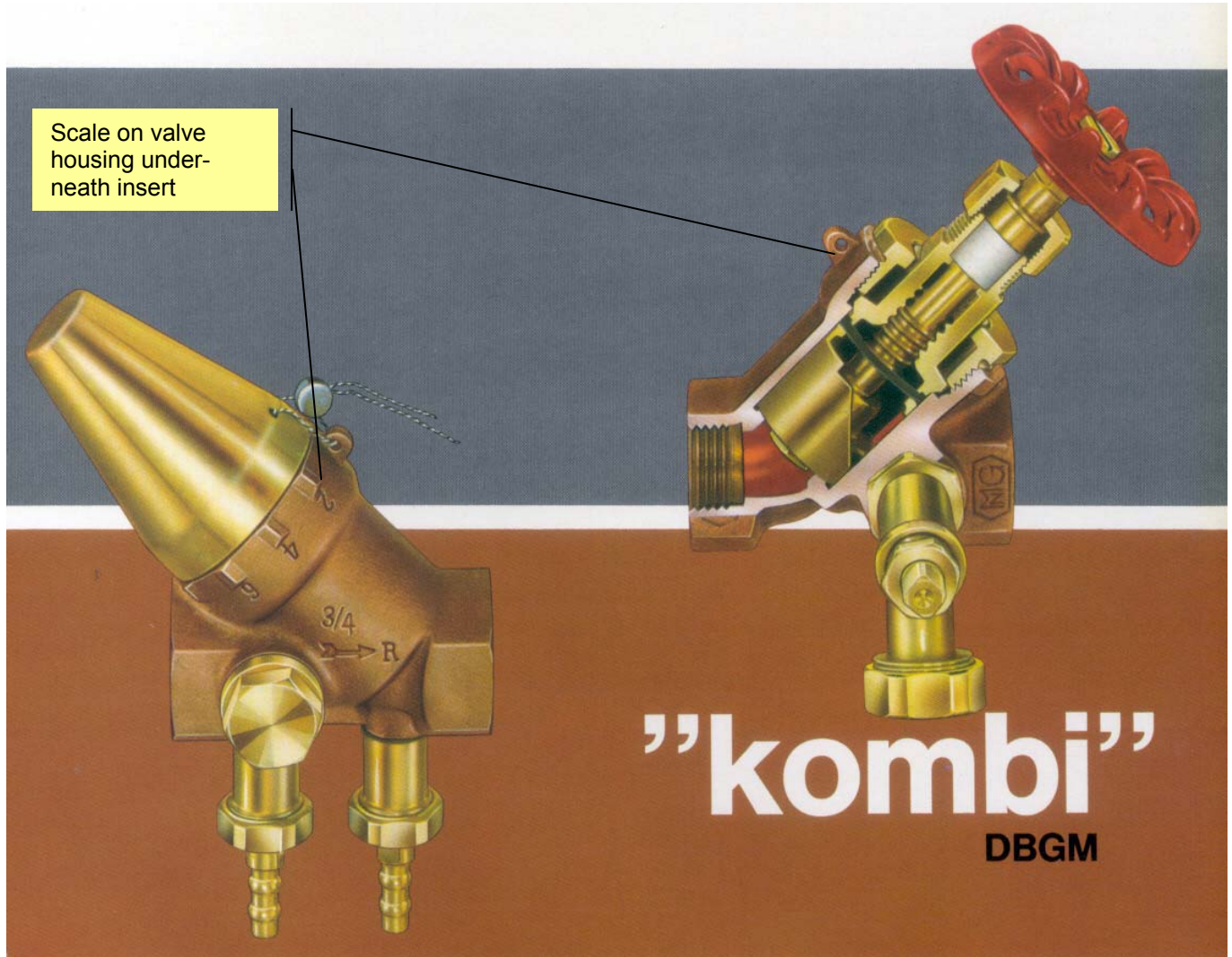
Spare parts for Kombi-Automatik

Spare part		
OS-No.	Description	Suitable for
VA3501A008	Draining valve (without sealing)	All Kombi-Automatik
VA5092A008	Sealing for draining valve and blind stop	All Kombi-Automatik
VS2500KA01	Shutoff cap for presetting unit	All Kombi-Automatik
VS3501A008	Blindstop to replace draining valve (without sealing)	All Kombi-Automatik
VS5500A008	Compression fitting for copper impulse tube 6 x 1 mm	All Kombi-Automatik

## Kombi

Double-regulating balancing valve. The Kombi was available from 1967 till 1978. Spare parts for Kombi are not available.

How to identify a Kombi:



### ACS Control Products

Honeywell GmbH

Hardhofweg

74821 Mosbach, Germany

Phone +49 (6261) 810

Fax +49 (6261) 81393

[www.honeywell.com](http://www.honeywell.com)

EN6H-0282GE25 R0806

August 2006

© 2006 Honeywell International Inc.

Subject to change • All rights reserved

Manufactured for and on behalf of the Environmental and Combustion

Controls Division of Honeywell Technologies Sàrl, Ecublens,

Route du Bois 37, Switzerland or by its Authorized Representative.