



CENTRA V5442G

4-way rotary valves PN6

APPLICATION

The V5442G 4-way rotary valve is designed especially for accurate control of supply water temperature in heating systems. When used in combination with the M6063 actuator, its sturdy construction ensures a long and reliable operating life.

SPECIAL FEATURES

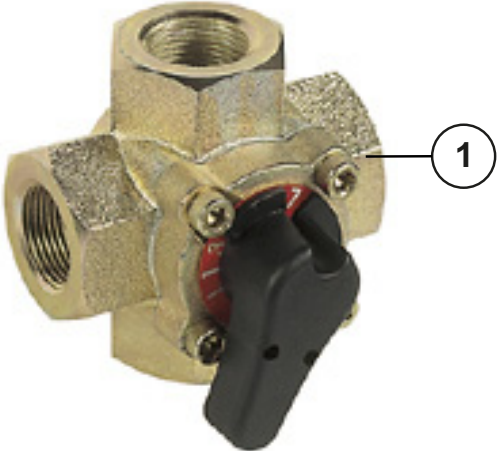
- Chrome-plated plug and housing for long life span
- Optimized characteristic for supply water temperature control
- Protected against corrosion
- Reliable mounting for electrical actuators
- Wide range of flow rates
- Compact design



TECHNICAL DATA

Media	
Medium:	Heating water according to VDI 2035 (oxygen concentration < 0.2 g/m ³ , pH 8...9.5)
Pressure values	
Nominal static pressure:	600 kPa (6 bar)
Max. pressure drop:	dependent on type
Operating temperatures	
Water temperature:	2 to 110 °C
Specifications	
Leakage rate:	1% of Kvs
Ports:	Internal threads:
Angle of rotation:	90°
Packaging:	Double O-ring sealing
Flow characteristic:	equal percentage
Weight:	dependent on type

CONSTRUCTION

Overview	Components	Materials
	1 Housing	Chrome-plated cast iron
	Not depicted components:	
	Inner parts	Chrome-plated cast iron

METHOD OF OPERATION

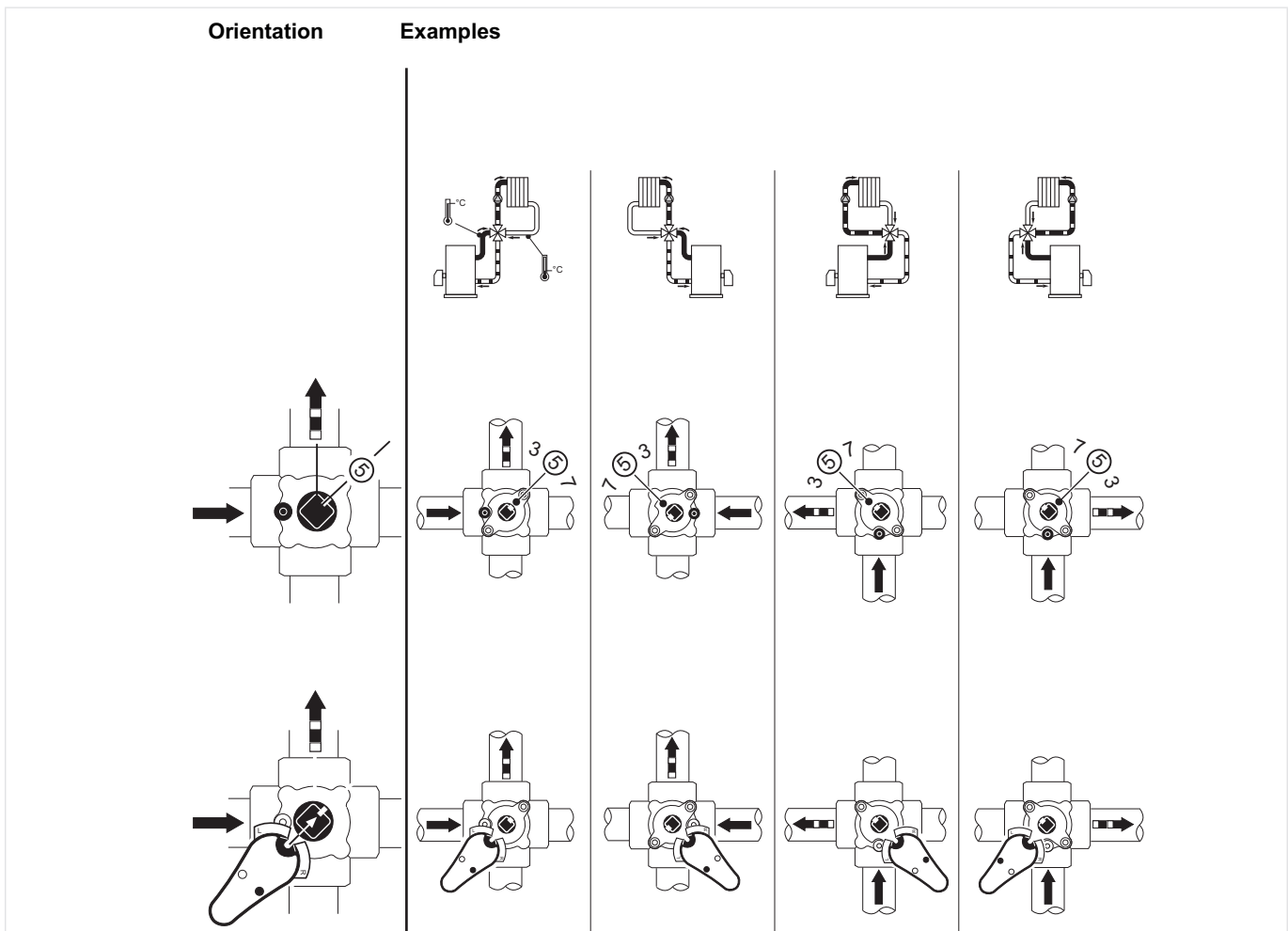
The valve controls a mixing water temperature with a rotating plug. The plug adjusts with two control curves the water flow of two inputs. The required flow water temperature is reached by adding a proportion of return water to the boiler hot water. For optimum control performance, the V5442G has special control characteristics.

Suitable Actuators

- M6063L1009 (230/240 Vac, floating)
- M6063L4003 (230/240 Vac, floating) auxiliary switch
- M6063A1003 (24 Vac, floating)
- M6063A4007 (24 Vac, floating) auxiliary switch

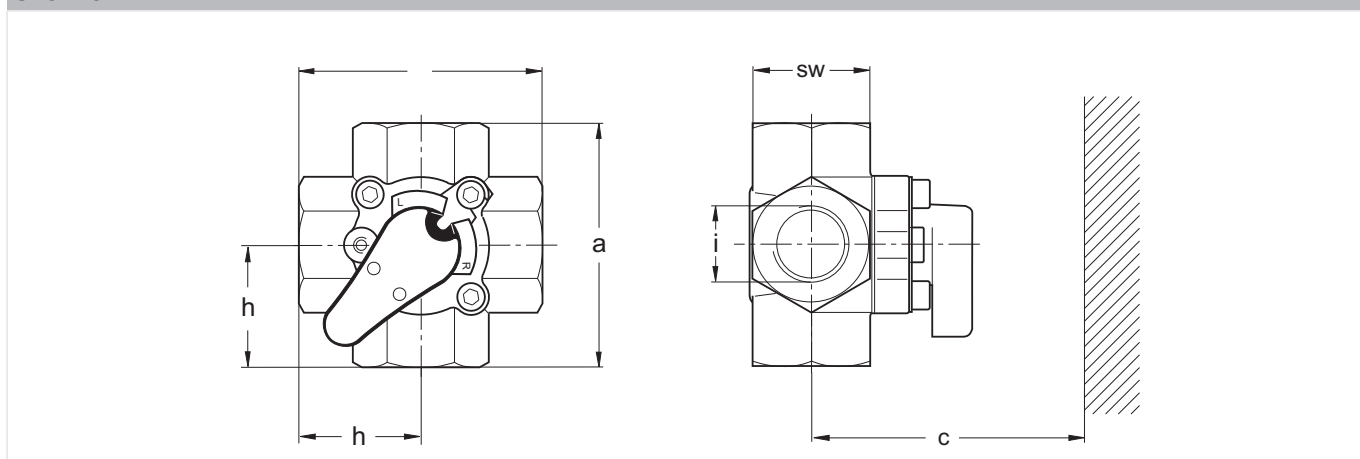
INSTALLATION GUIDELINES

Installation Example



DIMENSIONS

Overview



Order number	DN	a	c	h	i	SW	Weight
V5442G1003	20	85	340	42.5	R3/4"	41	1.0 kg
V5442G1011	20	85	340	42.5	R3/4"	41	1.0 kg
V5442G1029	25	105	345	52.5	R1"	46	1.5 kg
V5442G1037	32	105	350	52.5	R1 1/4"	55	2.0 kg

Note: All dimensions in mm unless stated otherwise.

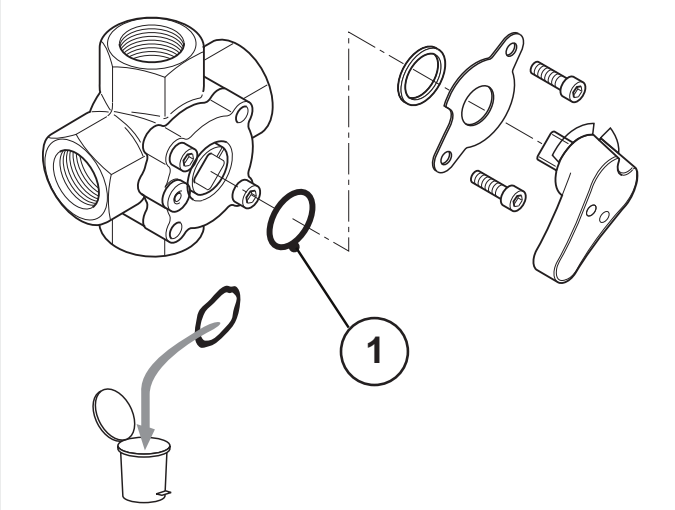
ORDERING INFORMATION

The following tables contain all the information you need to make an order of an item of your choice. When ordering, please always state the type, the ordering or the part number.

Options

Order number Internal thread	DN	k_{vs} -value (m ³ /h)	Δp (kPa)
V5442G1003	20	4.0	100
V5442G1011	20	6.3	100
V5442G1029	25	10.0	100
V5442G1037	32	16.0	100

Spare Parts

Overview	Description	Dimension	Part No.
	1 O-ring set		
		DN20 - DN32	071161035