

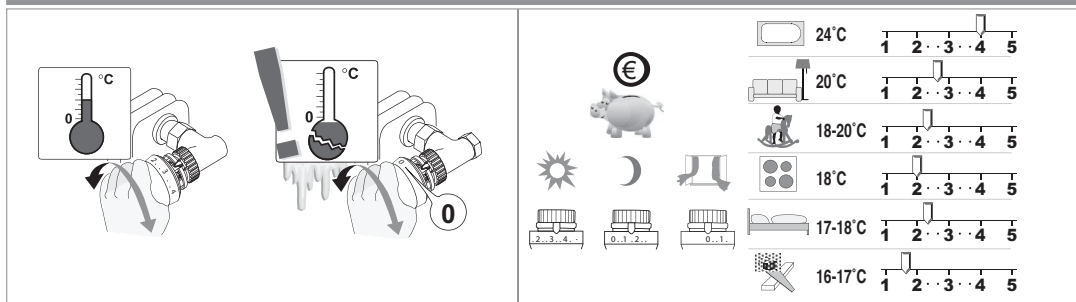
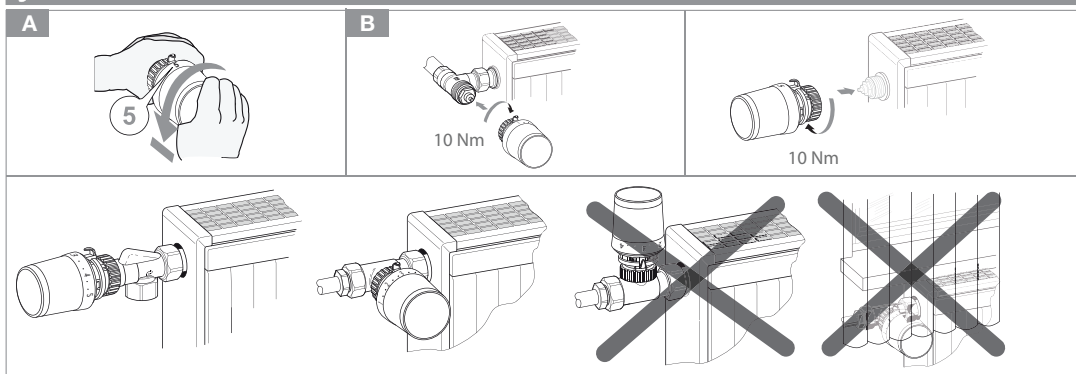






## T5009 Series Thera-5



			0 - * - 5	* - 5	
	T5019W0	WHITE	•	•	M30x1.5
	T5029W0	CHROME	•	•	M30x1.5
	T5019	WHITE	•	•	M30x1.5
	T5029	CHROME	•	•	M30x1.5
	T5019DAW0	WHITE		•	RA-type
	T5019DA	WHITE		•	RA-type

	0	*	1	2	3	4	5
°C	1	6	14	18	21	24	28



			
	VA8210A001		TA1000A001 TA1000A002
			TA6900A001

**For more information**

[homecomfort.resideo.com/europe](http://homecomfort.resideo.com/europe)



Ademco 1 GmbH  
Hardhofweg  
74821 MOSBACH  
GERMANY  
Phone: +49 6261 810  
Fax: +49 6261 81309

Manufactured for and on behalf of the  
Pittway Sàrl, La Pièce 4, 1180 Rolle, Switzerland  
by its Authorised Representative Ademco 1 GmbH  
MU0H-2042GE23 R0319  
Subject to change  
© 2019 Resideo Technologies, Inc.  
The Honeywell Home trademark is used under  
license from Honeywell International Inc.

**Honeywell Home**