



RNG55-D Direct

Direct Network Gateway for AMR Systems

APPLICATION

The RNG55 -D direct is the optimal solution for the simple and cost-efficient switch from Resideo/Honeywell Home walk-by systems to remote readouts via AMR.

New installations can also be equipped at any time. The gateway receives data from all RESIDEO metering devices in C-mode and wireless M-Bus (C and T) compatible unidirectional third-party meters in the direct reception area. A total of up to 400 metering devices can be received per gateway.

The device is factory-fitted with a SIM card including a 5 year service contract. You manage all gateway configuration procedures via the cloud based HSMP software.

RNG55-D direct of the type RNG55-D-STD are battery-powered. There is a mains-operated version RNG55-D-230V available for daily readout.

SPECIAL FEATURES

- Wireless M-Bus 868 MHz
- Excellent ISM radio sensitivity
- Quad-band GSM 900, 1.800 MHz / UMTS 900, 2.100 MHz
- Safe mobile data transfer in the ISM and GSM bands
- Highest possible wireless connectivity by national and international roaming
- Automatic selection of the optimum network guarantees maximum battery service life
- Battery power supply, for 5 years (depending on set operation scenario).
- Device-integrated GSM & ISM antennas
- Pre-installed SIM card and self-configuration of key-parameters
- Indoor wall-mount
- Simple on-site installation
- Management via cloud based HSMP (Honeywell Home Smart Metering Platform) software



GENERAL INFORMATION & USER INTERFACES

- LC display
- LED bi-colour optical indicator (red/green)
- Buzzer:
4 kHz, 75 dB

TECHNICAL DATA

| ISM Performance | | | |
|--------------------------------------------------|-----------------|---------------------------------------------------------|---------------|
| Wireless M -Bus - supported mode: | | C/T mode (EN13757-4) | |
| RSSI signal strength measurement: | | yes | |
| AES encryption: | | 128 bit | |
| Output power: | | max. 14 dBm | |
| Frequency band: | | (868,95 +/- 0,25) MHz | |
| Mobile GSM (GPRS/EDGE) and UMTS/HSPA Performance | | | |
| GSM | frequencybands: | 900 MHz | 1.800 MHz |
| | output power: | class 2 (1 W) | class 4 (2 W) |
| UMTS | frequencybands: | 900 MHz | 2.100 MHz |
| | output power: | class 3 (2 W) | class 4 (2 W) |
| GSM and ISM Antenna: | | Fully integrated high performance ISM and GSM antennas | |
| Power supply and battery life time | | | |
| Type RNG55-D-STD | | | |
| Power supply: | | Lithium battery 3.0 V DC with 5 years nominal lifetime | |
| Type RNG55-D-230V | | | |
| Rated voltage: | | 100..240 V AC 50/60 Hz | |
| Dimensions | | | |
| Dimensions: | | 203 mm x 209 mm x 58,5 mm | |
| Weight: | | RNG55-D-STD; 1105 g RNG55-D-230V; 691 g | |
| Housing: | | ABS + PC V1 plastic material | |
| Installation: | | wall mount with 2x \varnothing 4 mm screws and dowels | |
| Ambient conditions | | | |
| Operating: | | -5 °C to + 45 °C | |
| Storage: | | -5 °C to + 45 °C | |
| Transport: | | -25 °C to + 70 °C | |
| Humidity: | | max. 95 % without condensation | |

CE NORMS AND STANDARDS

| | |
|--------------------------------|------------------------------|
| EU conformity: | Yes |
| Protection Rating: | IP42 |
| Protection class: | |
| RNG55-D-STD: | III |
| RNG55-D-230V: | II |
| Electromagnetic compatibility: | EN 301 489-1 EN 301 489-3 |
| Safety: | EN 62 368-1 EN 62311 |

Fully type approved conforming with RED and RoHS directive.

METHOD OF OPERATION

The RNG55-D direct supports a fully automated, safe internet connection by means of GPRS / EDGE / UMTS / HSPA network and safe wireless networking in the intelligent metering subsystem.

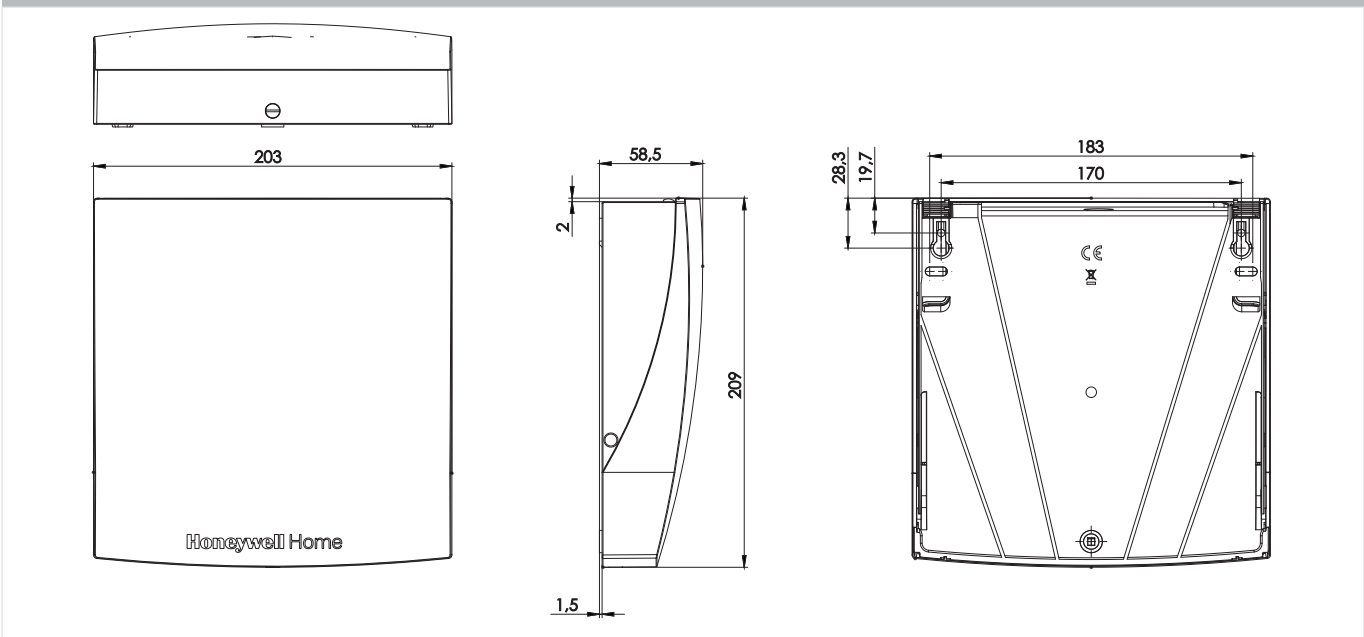
Metering data storage, smart meter management & control, RNG55-D direct configurations & diagnostics is realized remotely by using the web browser in your office, powered by the cloud based HSMP software.

Gateways of the type RNG55-D-STD achieve a service life of more than 5 years, by using high-performance batteries combined with an extremely low power consumption. Thanks to the comprehensive range of features supported, the RNG55-D direct becomes the perfect solution in applications and projects which require total energy autonomy. The system contributes to a significant saving in time, effort as well as costs, and the quality of service helps to increase overall customer satisfaction.

DIMENSIONS

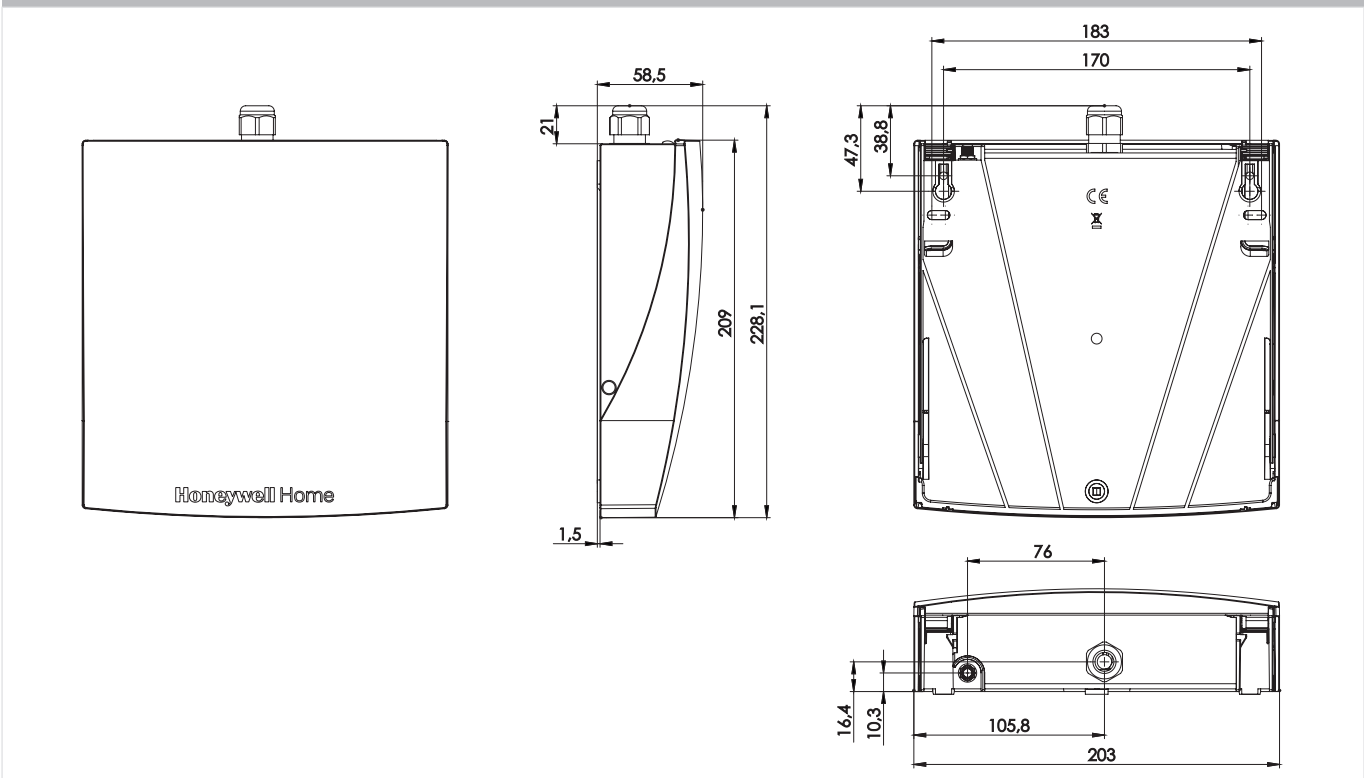
RNG55-D-STD

Overview



RNG55-D-230V

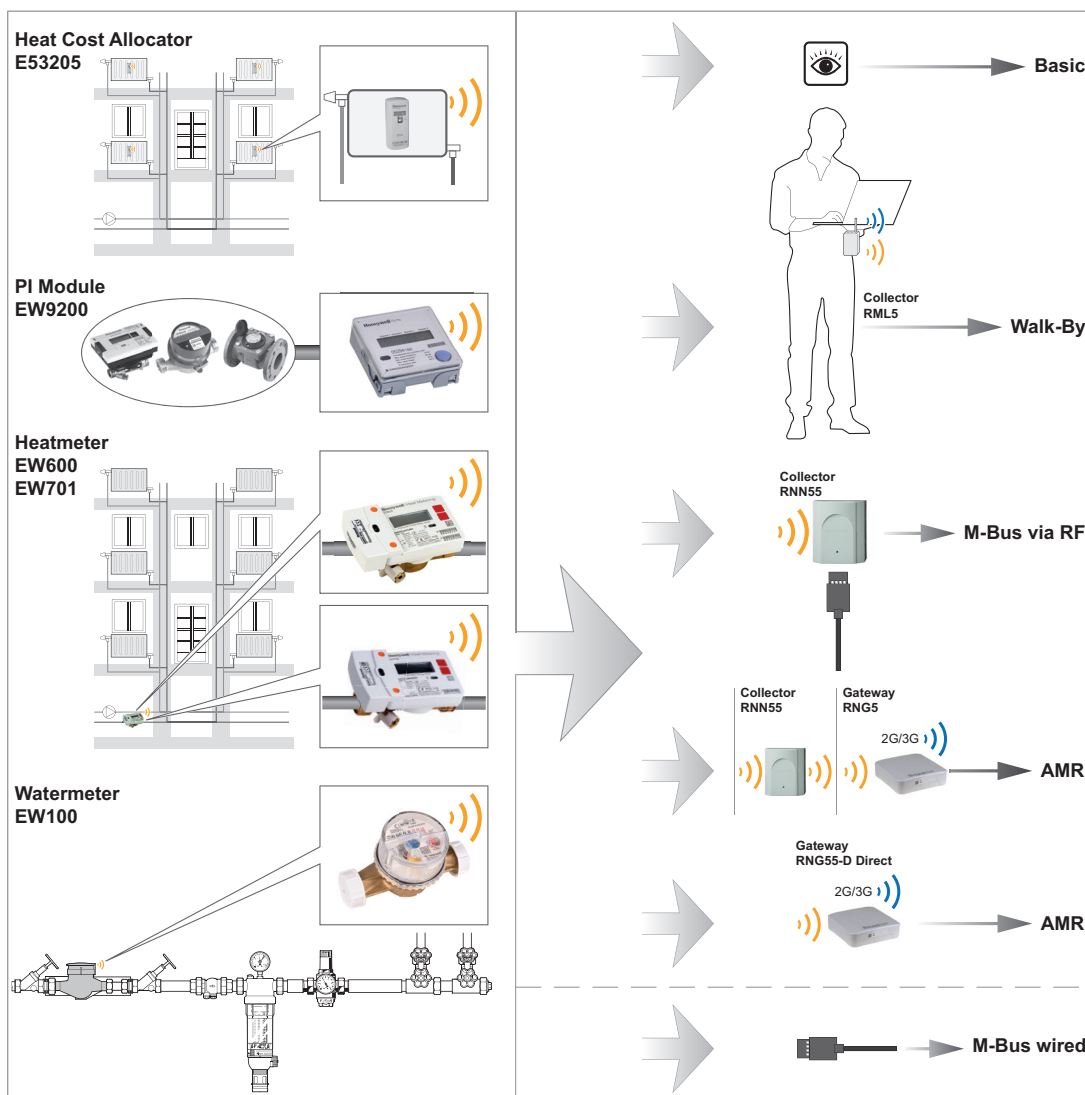
Overview



SYSTEM OVERVIEW

The RNG55-D can be integrated into various type of system.

For further variants of systems please contact your account manager.



ORDERING INFORMATION

The following tables contain all the information you need to make an order of an item of your choice. When ordering, please always state the type, the ordering or the part number.

Options

| OS-No.: | Description: | EAN Code: |
|--------------|-----------------------------------------|---------------|
| RNG55-D-STD | NETWORK GATEWAY 5.5 DIRECT 2G/3G - STD | 5059087001726 |
| RNG55-D-230V | NETWORK GATEWAY 5.5 DIRECT 2G/2G - 230V | 5059087001719 |

For more information

homecomfort.resideo.com/europe



Ademco 1 GmbH
 Hardhofweg 40
 74821 MOSBACH
 GERMANY
 Phone: +49 6261 810
 Fax: +49 6261 81309

Manufactured for and on behalf of the
 Pittway Sàrl, La Pièce 4, 1180 Rolle, Switzerland
 by its Authorised Representative Ademco 1 GmbH
 EN0H-0422GE23 R1219

Subject to change

© 2019 Pittway Sàrl. All rights reserved.

This document contains proprietary information of Pittway Sàrl and its affiliated companies and is protected by copyright and other international laws. Reproduction or improper use without specific written authorisation of Pittway Sàrl is strictly forbidden. The Honeywell Home trademark is used under license from Honeywell International Inc.

