

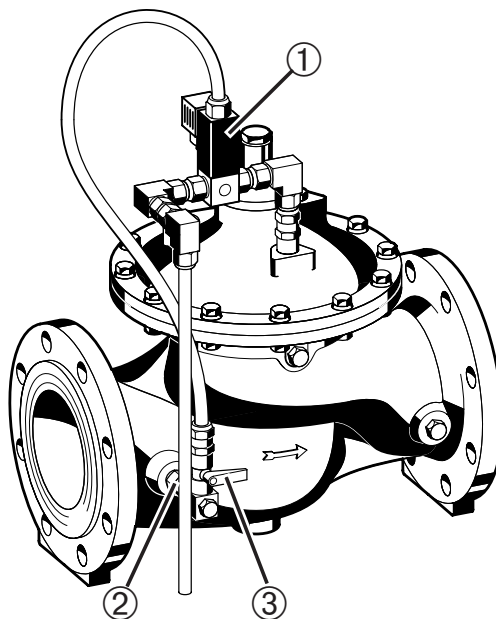
## Braukmann MV300

Einbauanleitung • Installation Instructions Instructions de montage • Istruzioni di montaggio

### E1

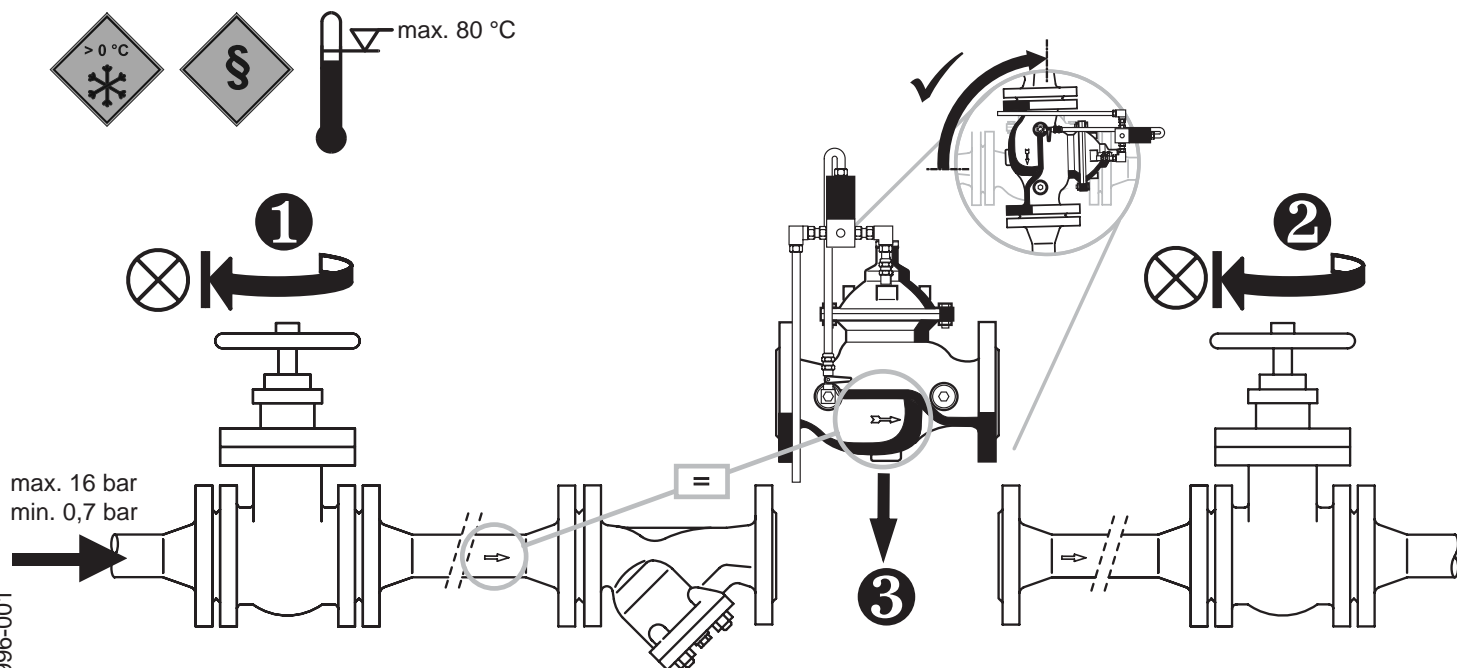
Bauteile • Components • Pièces • Componenti

- ①= Magnetventil  
Magnetic solenoid valve  
Vanne magnétique  
Elettrovalvola
- ②= Filtereinsatz  
Filter insert  
Garniture de filtration  
Inserto filtro
- ③= Absperr-Kugelhahn  
Manual ball valve  
Clapet à bille  
Valvola di intercettazione a sfera



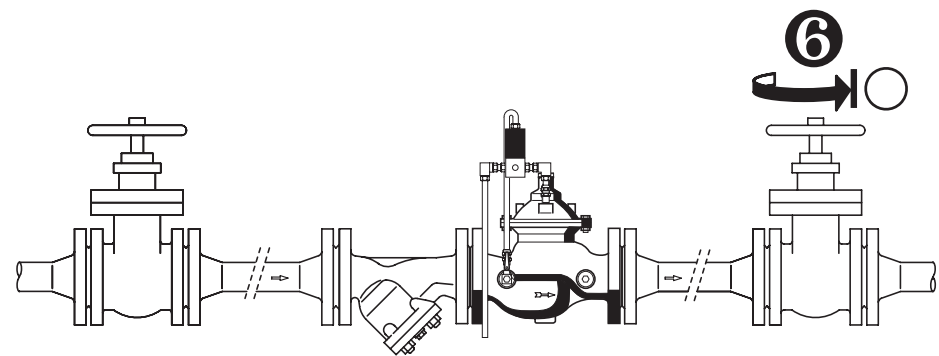
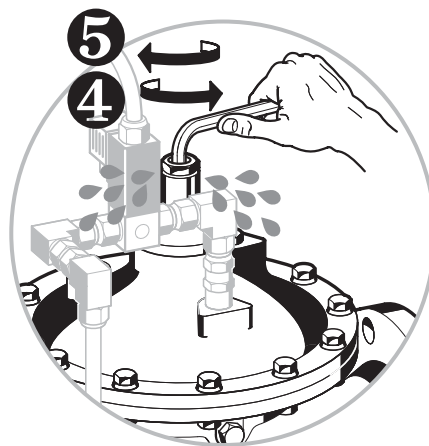
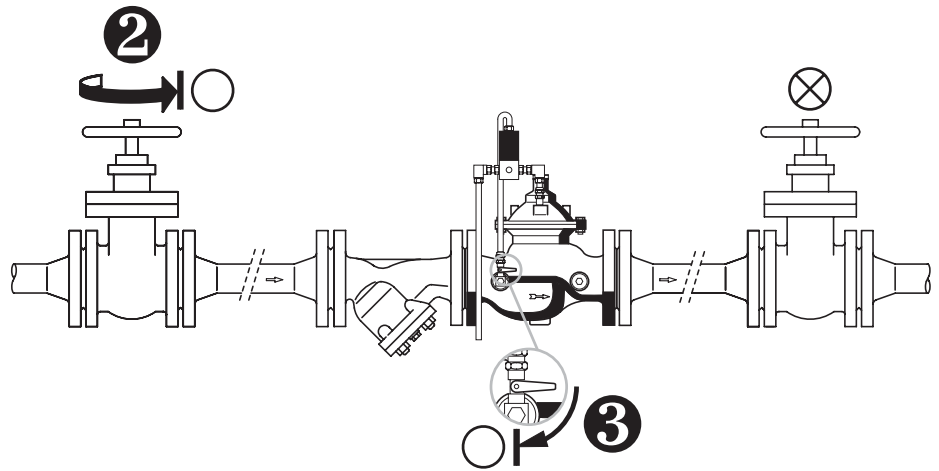
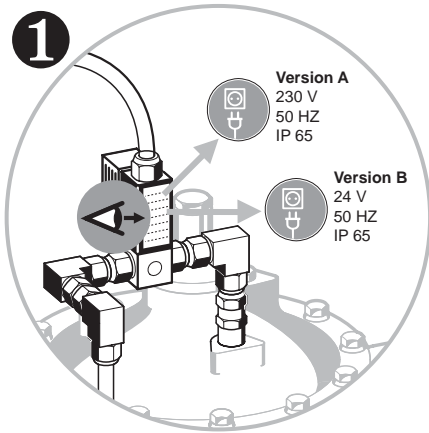
### E2

Einbau • Installation • Installation • Installazione



# E3

Inbetriebnahme • Commissioning • Mise en service  
Messa in servizio



Manufactured for  
and on behalf of  
Pittway Sàrl, Z.A., La Pièce 4,  
1180 Rolle, Switzerland  
by its authorised representative  
Ademco 1 GmbH

For more information  
[homecomfort.resideo.com/europe](http://homecomfort.resideo.com/europe)  
Ademco 1 GmbH, Hardhofweg 40,  
74821 MOSBACH, GERMANY  
Phone: +49 6261 810  
Fax: +49 6261 81309